

REV	LOCATIONS	DESCRIPTION	DATE	REVISER	APPD
1		Part No. Change: FFR-7KA-04 To FRF05002-JSS103M	08/JUL/16	KATE	FRANK

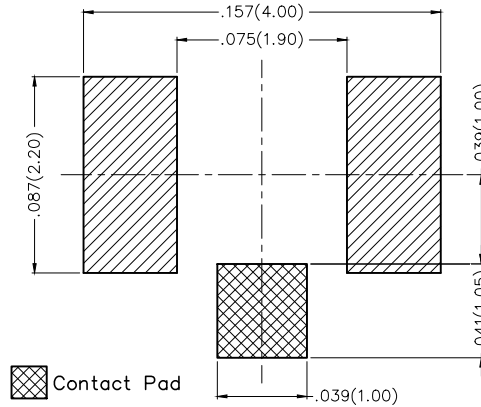
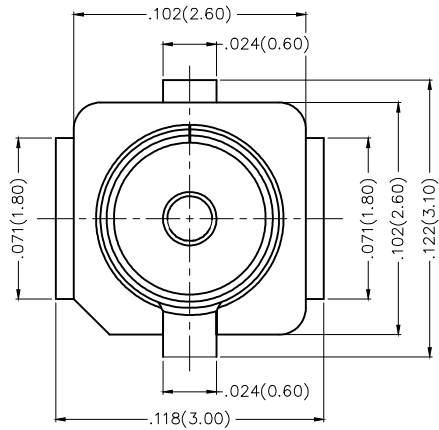
NOTES

Material

Housing: Thermoplastic (UL 94V-0), Natural  
 Contact: Copper Alloy  
 Shell: Copper Alloy

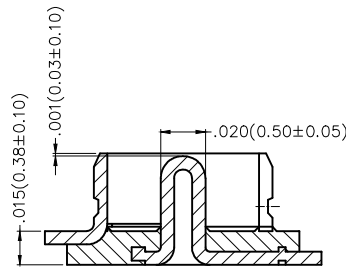
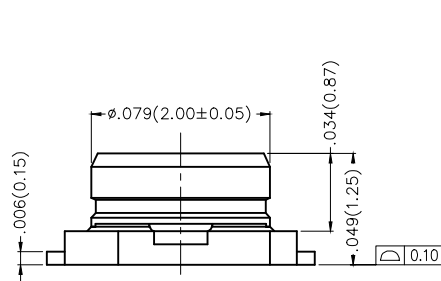
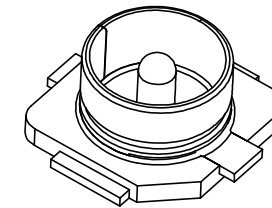
Finish

Contact: 3μ" Gold Plated On Mating Area, Gold Flash On Solder Tails, Nickel Under Plated Over All.  
 Shell: Gold Flash Over Nickel



Contact Pad  
 Shell Pad

Recommended P.C.Board Layout  
 General Tolerances: ±0.05mm



Ordering Information

FRF 05 002 — J S S 1 03 M  
 1 2 3 4 5 6 7 8 9

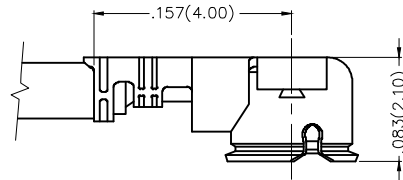
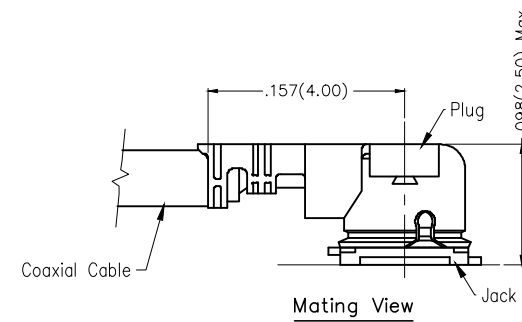
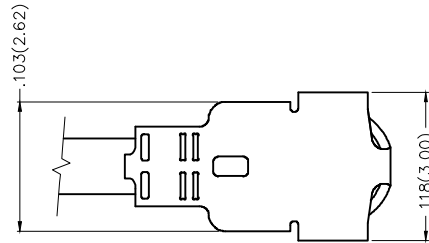
1 Category FRF-Radio Frequency	2 Series Number 05-MHF Series	3 Distinction No. 002	4 Type J-Jack	5 Assemble Layout S-SMT
6 Entry Angle S-Vertical	7 Plating 1-Gold Plated	8 Thickness of Plating 03-3μ"	9 Packaging M-Reel	

	GENERAL TOLERANCES (UNLESS SPECIFIED)		APPROVE BY FRANK	DATE 08/JUL/16	PART NO. FRF05002-JSS103M	ITEM NO. FRF05002	 Leader Of Industry
	DESIGN UNITS Inch (metric)	X.±.012(0.30) .X'±5'	CHECKED BY CHERRY	DATE 08/JUL/16	TITLE RF MHF I Jack		
SCALE 5:1	SIZE A4	X.XX±.006(0.15) .XX'±1"	DRAWN BY KATE	DATE 08/JUL/16	THIS DRAWING CONTAINS INFORMATION THAT IS PROPRIETARY TO TXGA INDUSTRIAL ELECTRONICS(S,Z)CO.,LTD AND SHOULD NOT BE USED WITHOUT WRITTEN PERMISSION		
		X.XXX±.004(0.10) .XXX'±0.5'					SHEET NO. 1/1

REV	LOCATIONS	DESCRIPTION	DATE	REVISOR	APPD

NOTES

- Material and Plating  
 Housing: PBT (UL 94V-0), Natural  
 Contact: Copper Alloy/ 3μ" Gold Plated Over Nickel  
 Ground Contact: Copper Alloy/ 1μ" Gold Plated Over Nickel
- Applicable Cable for OD: 1.13mm (32AWG)



Ordering Information

FRF 05 002 — P E B 1 03 M A  
 1 2 3 4 5 6 7 8 9 10

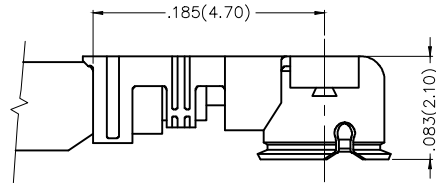
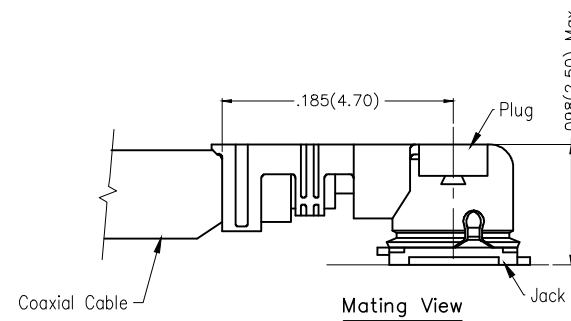
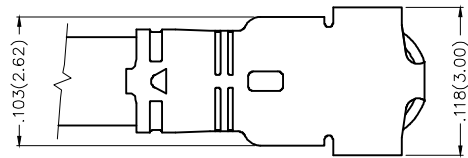
- |   |                                 |   |                                |   |                                |   |                     |   |                                    |
|---|---------------------------------|---|--------------------------------|---|--------------------------------|---|---------------------|---|------------------------------------|
| 1 | Category<br>FRF—Radio Frequency | 2 | Series Number<br>05—MHF Series | 3 | Distinction No.<br>002         | 4 | Type<br>P—Plug      | 5 | Assemble Layout<br>E—Crimping Type |
| 6 | Entry Angle<br>B—90° Angle      | 7 | Plating<br>1—Gold Plated       | 8 | Thickness of Plating<br>03—3μ" | 9 | Packaging<br>M—Reel | 9 | Type<br>A— Type A                  |

 THIRD ANGLE PROJECTION	GENERAL TOLERANCES (UNLESS SPECIFIED)		APPROVE BY FRANK	DATE 08/JUL/16	PART NO. FRF05002-PEB103MA	ITEM NO. FRF05002	 Leader Of Industry
	X.±.012(0.30)	X.±5'	CHECKED BY CHERRY	DATE 08/JUL/16	TITLE RF MHF I Plug		
DESIGN UNITS Inch (metric)	X.X±.008(0.20)	.X±2'	DRAWN BY KATE	DATE 08/JUL/16	THIS DRAWING CONTAINS INFORMATION THAT IS PROPRIETARY TO TXGA INDUSTRIAL ELECTRONICS(S,Z)CO.,LTD AND SHOULD NOT BE USED WITHOUT WRITTEN PERMISSION		
SCALE 5:1	SIZE A4	X.XX±.006(0.15)					
		X.XXX±.004(0.10)					

REV	LOCATIONS	DESCRIPTION	DATE	REVISOR	APPD

NOTES

- Material and Plating  
 Housing: PBT (UL 94V-0), Natural  
 Contact: Copper Alloy/ 3μ" Gold Plated Over Nickel  
 Ground Contact: Copper Alloy/ 1μ" Gold Plated Over Nickel
- Applicable Cable for OD: 1.80mm (30AWG)



Ordering Information

FRF 05 002 — P E B 1 03 M B  
 1 2 3 4 5 6 7 8 9 10

- |   |                                 |   |                                |   |                                |   |                     |   |                                    |
|---|---------------------------------|---|--------------------------------|---|--------------------------------|---|---------------------|---|------------------------------------|
| 1 | Category<br>FRF—Radio Frequency | 2 | Series Number<br>05—MHF Series | 3 | Distinction No.<br>002         | 4 | Type<br>P—Plug      | 5 | Assemble Layout<br>E—Crimping Type |
| 6 | Entry Angle<br>B—90° Angle      | 7 | Plating<br>1—Gold Plated       | 8 | Thickness of Plating<br>03—3μ" | 9 | Packaging<br>M—Reel | 9 | Type<br>B— Type B                  |

 THIRD ANGLE PROJECTION	GENERAL TOLERANCES (UNLESS SPECIFIED)		APPROVE BY FRANK	DATE 08/JUL/16	PART NO. FRF05002-PEB103MB	ITEM NO. FRF05002	 Leader Of Industry
	X.±.012(0.30)	X.*±5'	CHECKED BY CHERRY	DATE 08/JUL/16	TITLE RF MHF I Plug		
DESIGN UNITS Inch (metric)	X.X±.008(0.20)	.X'±2'	DRAWN BY KATE	DATE 08/JUL/16	THIS DRAWING CONTAINS INFORMATION THAT IS PROPRIETARY TO TXGA INDUSTRIAL ELECTRONICS(S,Z)CO.,LTD AND SHOULD NOT BE USED WITHOUT WRITTEN PERMISSION		
SCALE 5:1	SIZE A4	X.XX±.006(0.15)	.XX±1"	X.XXX±.004(0.10)	.XX'±0.5'		