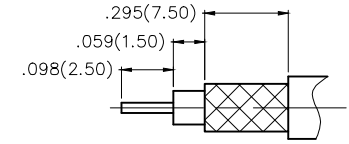
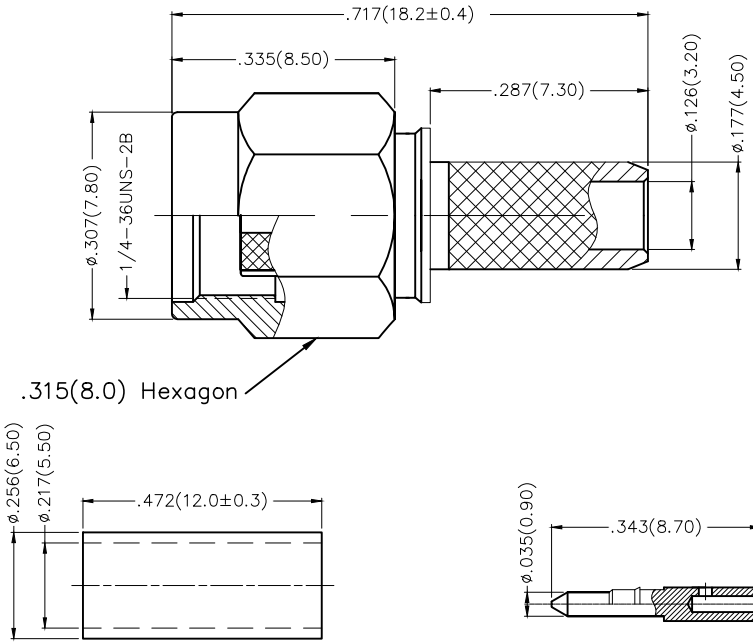


REV	LOCATIONS	DESCRIPTION	DATE	REVISER	APPD

SPECIFICATION

Electrical
 Impedance: 50Ω
 VSWR: 1.5Max
 Working Voltage: 250V AC
 Insulation Resistance: 5000MΩ Min.
 Withstand Voltage: 1000V, 50Hz rms.
 Temperature Range—Operating: -55°C~+155°C
 Relative Humidity: 95% Max. (40°C±2°C)

Material And Plating
 Insulator: TEFLON (UL 94V-0), White
 Body: Brass/ Gold Plated
 Center Pin: Brass/ Gold Plated
 Ferrule: Brass/ Gold Plated
 C-ring: SUS
 Airproof Ring: Silicone Rubber



Recommend Cutting Dim. of Cable(Ref)

Ordering Information

FRF 01 011 — P C S 1 XX B
 1 2 3 4 5 6 7 8 9

1	Category FRF—Radio Frequency	2	Series Number 01—SMA Series	3	Distinction No. 011	4	Type P—Plug	5	Assemble Layout C—Crimping Type
6	Entry Angle S—180°Vertical	7	Plating 1—Gold Plated	8	Thickness of Plating 00—Gold Flash 03—3μ* Custom plate available	9	Packaging B—PE Bag		

<p>THIRD ANGLE PROJECTION</p>	GENERAL TOLERANCES (UNLESS SPECIFIED)		APPROVE BY FRANK	DATE 20/JUL/16	PART NO. FRF01011-PCS1XXB	ITEM NO. FRF01011	<p>Leader Of Industry</p>
	DESIGN UNITS Inch (metric)	X.±.012(0.30) X.X±.008(0.20) X.XX±.006(0.15) X.XXX±.004(0.10)	X.±5° .X'±2° .XX'±1° .XXX'±0.5°	CHECKED BY KATE	DATE 20/JUL/16	TITLE SMA Plug	
SCALE 5:1	SIZE A4		DRAWN BY CHERRY	DATE 20/JUL/16	THIS DRAWING CONTAINS INFORMATION THAT IS PROPRIETARY TO TXGA INDUSTRIAL ELECTRONICS(S.Z)CO.,LTD AND SHOULD NOT BE USED WITHOUT WRITTEN PERMISSION		