

REV	LOCATIONS	DESCRIPTION	DATE	REVISER	APPD
1		Dimension: Change 1.4 into 2.5mm	28/NOV/17	KATE	VERNON
2		Structure optimization	04/MAR/19	KATE	ANDY

SPECIFICATIONS

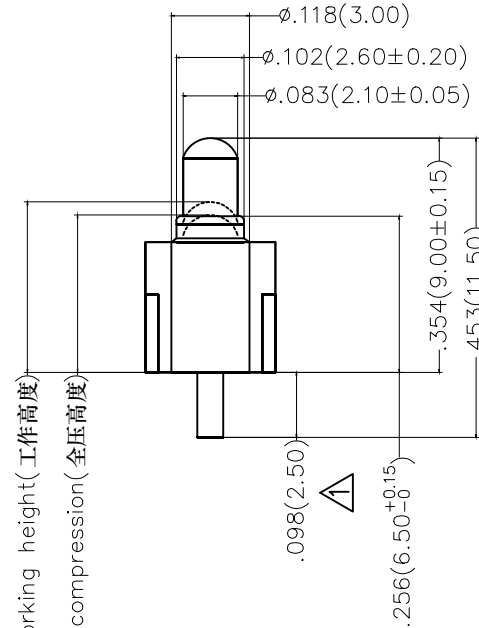
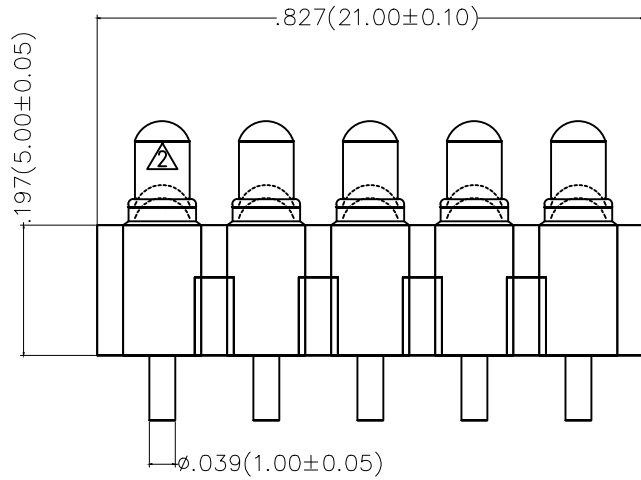
Electrical

Current Rating: 3A AC(rms)/DC  
Voltage Rating: 12V AC(rms)/DC  
Contact Resistance: 50 mΩ Max at normal working height  
Insulation Resistance: 100 MΩ Min  
Withstanding Voltage: 500V AC r.m.s  
Temperature Range-Operating: -40°C~+105°C  
Salt Spray: 24H

Spring force: 120g±20g at normal working height(1.5mm)  
Durability: 10,000 cycles(minimum)

Material and Plating

Housing: PA9T (UL94V-0) , Black  
Plunger: Brass/Gold Plated  
Barrel: Brass/Gold Plated  
Spring: Sus304/Gold Plated

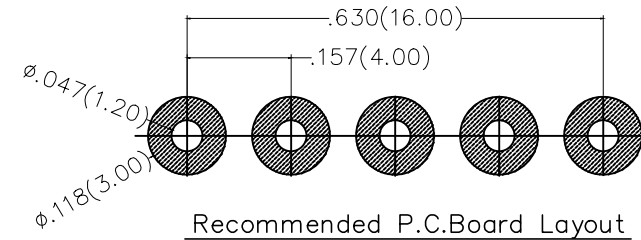
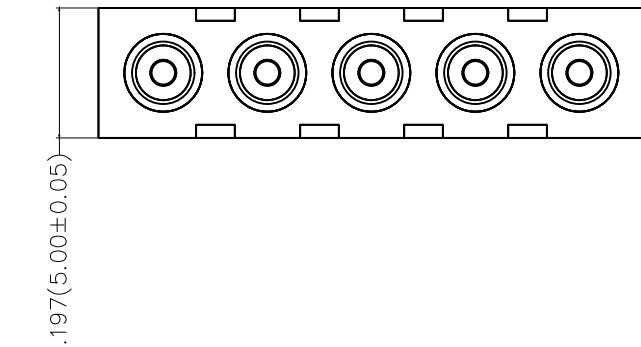


.276(7.00) Working height(工作高度)  
.256(6.50) at Max. compression(全压高度)

Ordering Information

FBA 400 04 - S 05 S 1 XX 7 M  
1 2 3 4 5 6 7 8 9 10

1	Category FBA-Battery Holder	2	Series Number 400-Pitch4.00mm	3	Distinction No. 04	4	Row Option S-Single Row	5	Circuits 05
6	Entry Angle S-180° Vertical	7	Plating 1-Gold Plated	8	Thickness of Plating 00-Gold flash 01-1μ" 05-5μ" Custom plate available	9	Material-Resin 7-PA9T	10	Packaging M-Meel



 THIRD ANGLE PROJECTION	GENERAL TOLERANCES (UNLESS SPECIFIED)		APPROVE BY FRANK	DATE 29/SEP/17	PART NO. FPG40004-S05S1XX7M	ITEM NO. FPG40004	 Leader Of Industry	
	DESIGN UNITS Inch (metric)	X.±.012(0.30) X.X±.008(0.20) X.XX±.006(0.15) X.XXX±.004(0.10)	X.'±5' .X'±2' .XX'±1' .XXX'±0.5'	CHECKED BY CHERRY	DATE 29/SEP/17	TITLE Pogo Pin Connector Pitch 4.0mm 180° Vertical(DIP)		REV 2
SCALE 5:1	SIZE A4		DRAWN BY VERNON	DATE 29/SEP/17	THIS DRAWING CONTAINS INFORMATION THAT IS PROPRIETARY TO TXGA INDUSTRIAL ELECTRONICS(S.Z)CO.,LTD AND SHOULD NOT BE USED WITHOUT WRITTEN PERMISSION			