



**GT-TC149X-HXXX-LX**

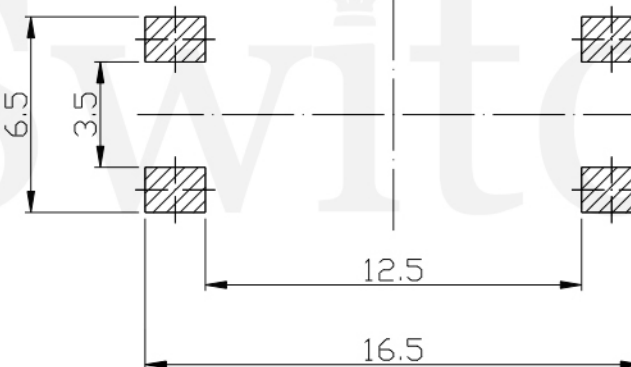
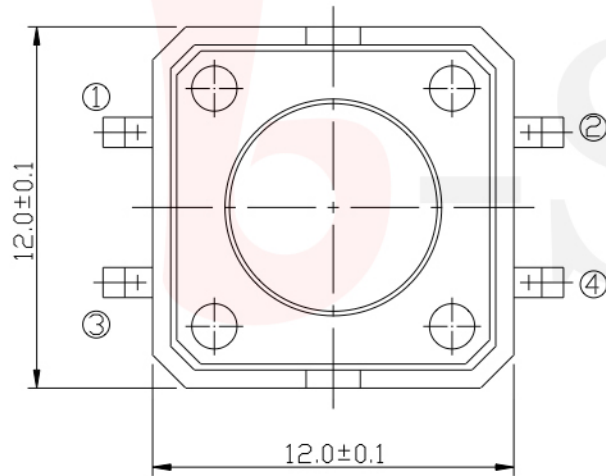
**G-SWITCH**

**Operating Force**  
 A=160gf  
 B=250gf  
 C=100gf  
 D=350gf

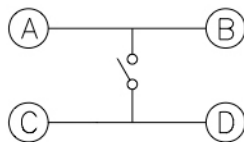
**Switch lifetime (Force)**  
 L05=50,000 Cycles(D)  
 L1=100,000 Cycles((A, B, C)  
 L3=300,000 Cycles(A, C)  
 L5=500,000 Cycles(A, C)

**Switch Height (mm)**  
 H043=4.3 H045=4.5  
 H050=5.0 H055=5.5  
 H060=6.0 H065=6.5  
 H070=7.0 H075=7.5  
 H080=8.0 H085=8.5  
 H090=9.0 H095=9.5  
 H100=10.0 H105=10.5  
 H110=11.0 H115=11.5  
 H120=12.0 H125=12.5  
 H130=13.0 H135=13.5  
 H140=14.0 H145=14.5  
 H150=15.0 H155=15.5  
 H160=16.0 H165=16.5

**G-Switch Specification:** H170=17.0...  
 Operating temperature range : -30°Cto+85°C  
 Rating : 50mA.12V DC  
 Insulation resistance : 100MΩ min.100V DC  
 Dielectric strength : 250V AC for 1 min  
 Contact resistance : 100m Ω max.  
 Travel:0.35±0.1mm



**P.C.B LAND DIMENSION**



电路简图  
**SCHMATIC**



**G-Switch Electronic (HongKong) CO.,Ltd**

Unless otherwise specified, Tolerance: X.           ±0.30 X.x          ±0.20 X.xx         ±0.15 X.xxx        ±0.10 Angles      ±3°	DESIGN FengFengChen	DATE 2019.05.29	Molde code:	
	CHECKED	DATE	<b>GT-TC149X-HXXX-LX</b>	
	APPROVED	DATE		
	<a href="http://www.dg-switch.com">http://www.dg-switch.com</a>		REV.: X1	SCALE: 4:1
TEL:0769-82388879	SIZE: A4	SHEET: 1/1		