

GT-TC207X-HXXX-LX

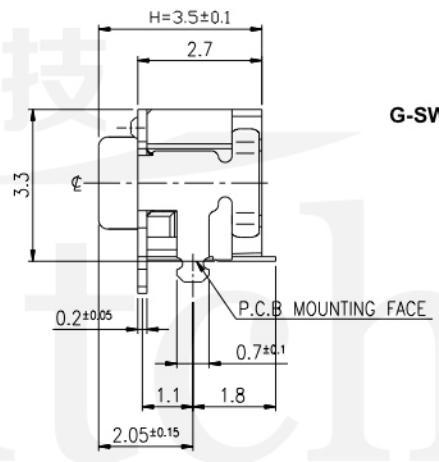
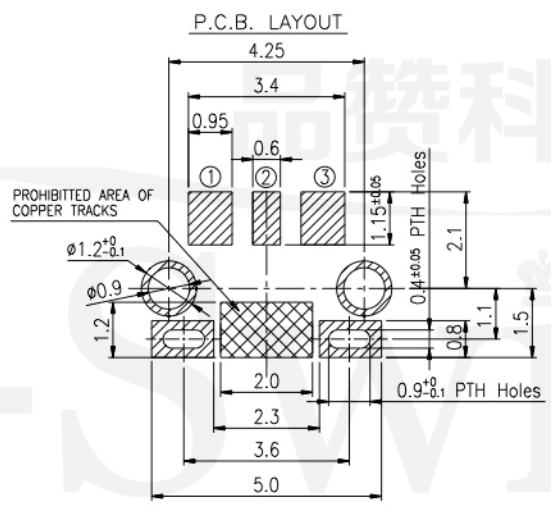
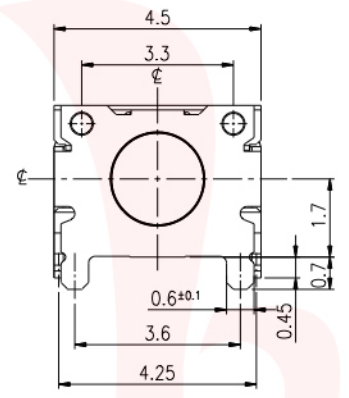
G-SWITCH

Operating Force
 A=160gf
 B=250gf
 C=100gf

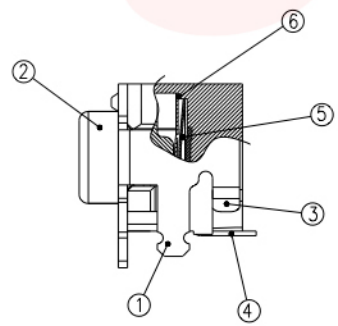
Switch Height (mm)
 H035=3.5mm

Switch lifetime (Force)
 L1=100,000 Cycles

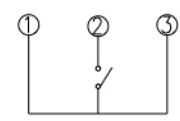
G-Switch Specification:
 Operating temperature range : -30°Cto+85°C
 Rating : 50mA.12V DC
 Insulation resistance : 100MΩ min.100V DC
 Dielectric strength : 250V AC for 1 min
 Contact resistance : 100m Ω max.
 Travel:0.20±0.05mm



HATCHED AREA SHOWS SOLDERING LAND
 (TOLERANCES UNLESS OTHERWISE SPECIFIED ±0.1)



SCHEMATIC



	G-Switch Electronic (HongKong) CO.,Ltd.		
	DESIGN FengFengChen CHECKED APPROVED http://www.dg-switch.com TEL:0769-82388879	DATE 2019.05.29 DATE DATE http://www.dg-switch.com TEL:0769-82388879	Molde code: GT-TC207X-HXXX-LX REV.: X1 SCALE: 4:1 UNIT: mm SIZE: A4 SHEET: 1/1