

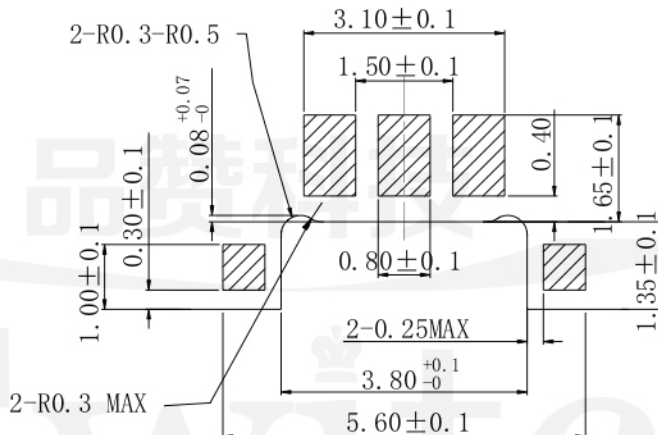
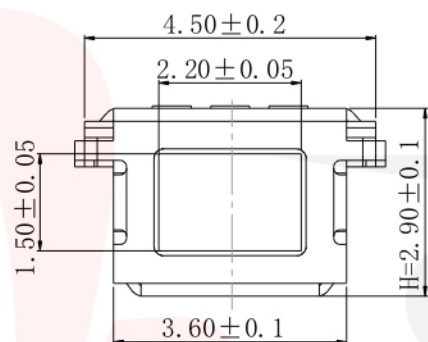
GT-TC037X-HXXX-LX

G-SWITCH

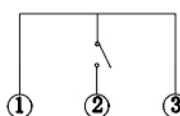
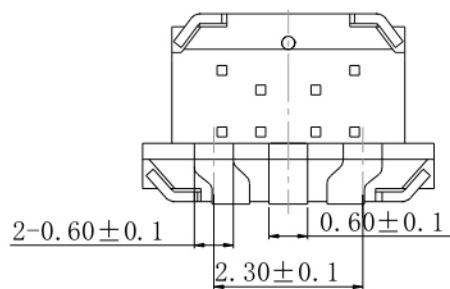
Operating Force
A=160gf
B=250gf

Switch Height (mm)
H029=2.9mm

Switch lifetime (Force)
L1=100,000 Cycles



P. C. B LAYOUT TOP VIEW



CIRCUIT



G-Switch Specification:

Operating temperature range : -30°Cto+85°C
 Rating : 50mA.12V DC
 Insulation resistance: : 100MQ min.100V DC
 Dielectric strength : 250V AC for 1 min
 Contact resistance: : 100m Ω max.
 Travel:0.20±0.1mm

	G-Switch Electronic (HongKong) CO.,Ltd.		
	DESIGN FengFengChen CHECKED APPROVED http://www.dg-switch.com TEL:0769-82388879	DATE 2019.05.29 DATE DATE	Molde code: GT-TC037X-HXXX-LX REV.: X1 SCALE: 4:1 UNIT: mm SIZE: A4 SHEET: 1/1