

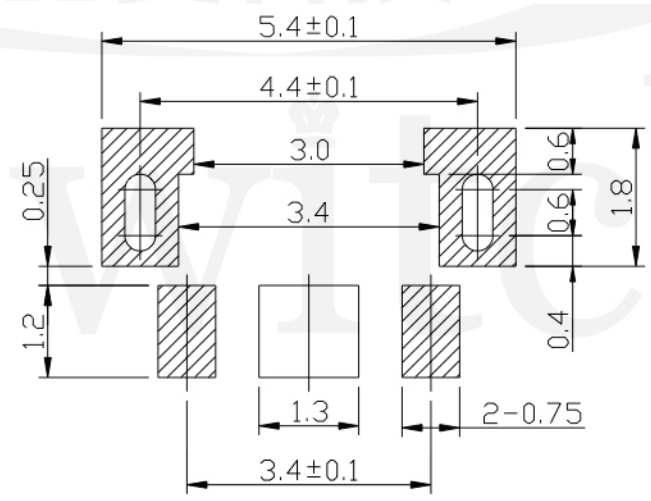
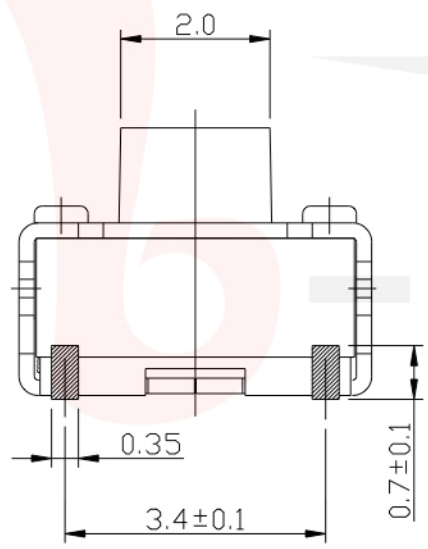
**GT-TC019X-HXXX-LX**

**G-SWITCH**

**Operating Force**  
A=160gf  
B=250gf

**Switch Height (mm)**  
H035=3.5mm

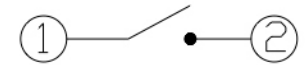
**Switch lifetime (Force)**  
L05=50,000 Cycles  
L1=100,000 Cycles



**P.C.B LAND DIMENSION**

**G-Switch Specification:**

Operating temperature range : -30°Cto+85°C  
Rating : 50mA.12V DC  
Insulation resistance : 100MΩ min.100V DC  
Dielectric strength : 250V AC for 1 min  
Contact resistance : 100m Ω max.  
Travel:0.15±0.05mm



**CIRCUIT DIAGRAM**



**G-Switch Electronic (HongKong) CO.,Ltd.**

Unless otherwise specified, Tolerance: X. ±0.30 X.x ±0.20 X.xx ±0.15 X.xxx ±0.10 Angles ±3°	DESIGN FengFengChen	DATE 2019.05.29	Molde code:	
	CHECKED	DATE	GT-TC019X-HXXX-LX	
	APPROVED	DATE		
	http://www.dg-switch.com		REV.: X1	SCALE: 4:1
TEL:0769-82388879		SIZE: A4	SHEET: 1/1	