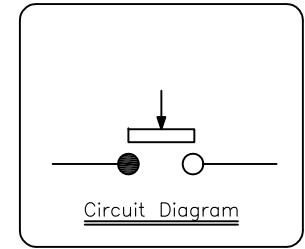
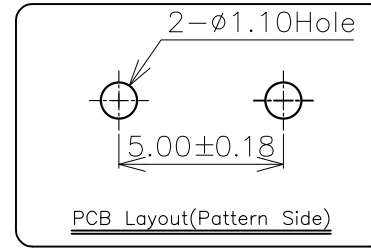
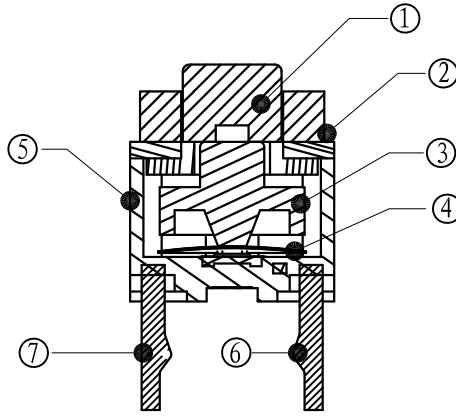
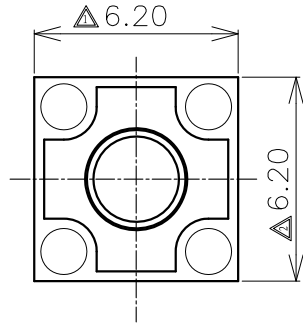
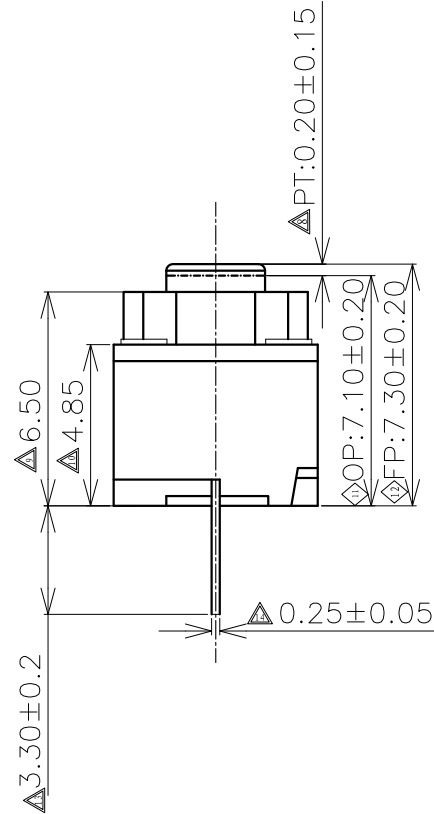
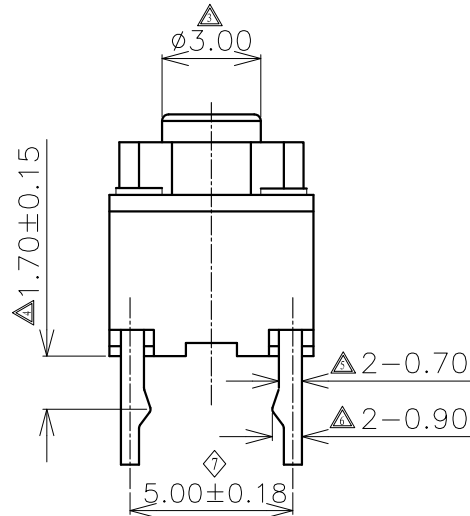


ABIDE BY ROHS



Specification :

1. Rating : DC12V 50mA
2. Contact Resistance : 100mΩ Max
3. Insulation Resistance : 100MΩ Min (DC250V)
4. Withstand Voltage : AC250V (50-60Hz) for 1 minute
5. Operation Force : 70 ± 20gf
6. Operation Position : 7.10 ± 0.2mm
7. CR= (OF-CF) / OF\*100: 20%-40%
8. Mechanical Life : 3, 000, 000 Cycles (min)



备注:

◇: 表示重点管控尺寸, 一般为功能尺寸, 首检及巡检时需量测。  
 △: 表示次重点管控尺寸, 一般为装配尺寸, 首检时需量测。  
 1) 重点及次重点管控尺寸中的序号不可重复, 需依次往后增加。若其中有某个尺寸在变更或其它状况下, 尺寸消失或不要求管控时, 原序号不可再用。有其它尺寸需要增加管控时, 序号往后增加。  
 2) 版次定义: 新开发而未转量产之产品图面版次为A1, A2, A3...  
 已转量产之产品图面版次为A, B, C...

⑦	Terminal	2	1	BRASS(0.25t)	Plating Silver
⑥	Terminal	1	1	BRASS(0.25t)	Plating Silver
⑤	Base		1	PA66	Gray
④	Contact		1	Stainless Steel	
③	Rubber pad		1	Rubber	Gray
②	Cover		1	PA66	Black
①	Keystoke		1	POM	Red

ITEM	PART NAME	TER'NO.	QTY.	MATERIAL	FINISHING	REMARK
------	-----------	---------	------	----------	-----------	--------

APPROVALS		DATE		东莞市凯华电子有限公司 KAIHUA ELECTRONICS CO.,LTD
DRAWN	Chen Geng	2017.6.13		

CHECKED	Yi Ping	2017.6.13	TITLE:	Micro Noise Switch (FP=7.3mm)
APPROVALS	David Wang	2017.6.13	PART NO.	CMI627301D07

TOLERANCES ARE	30 < 40	± 0.30	ANGLE	UNIT: mm	SCALE: 1:1	PROJ:
	10 < 30	± 0.20				
	5 < 10	± 0.15	± 2°	DRAWING NO.	KHA-MI6273-007EN	SHEET 1 OF 1
	L < 5	± 0.10				

ECN NO.	REV.	DATE.	DESCRIPTION.	CHANGE.	CHECK.	APPRO.
	A		NEW			