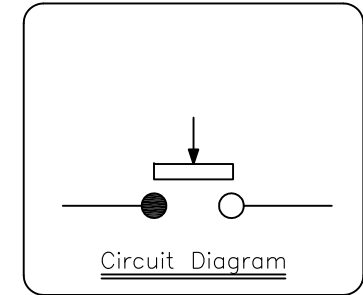
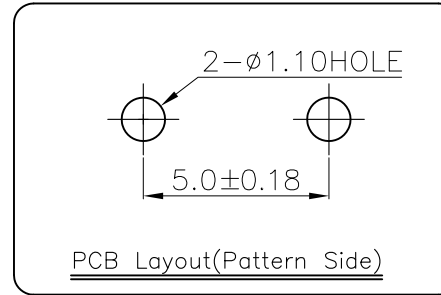
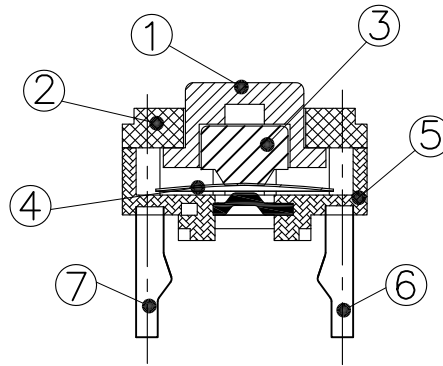
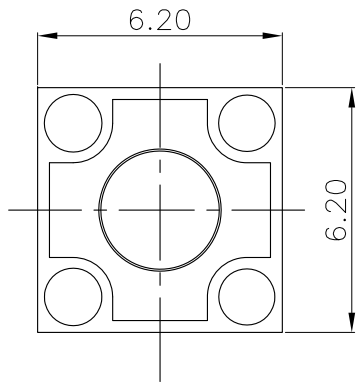
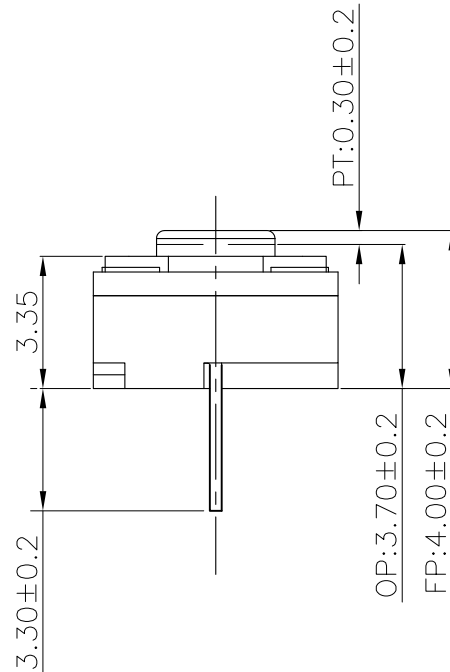
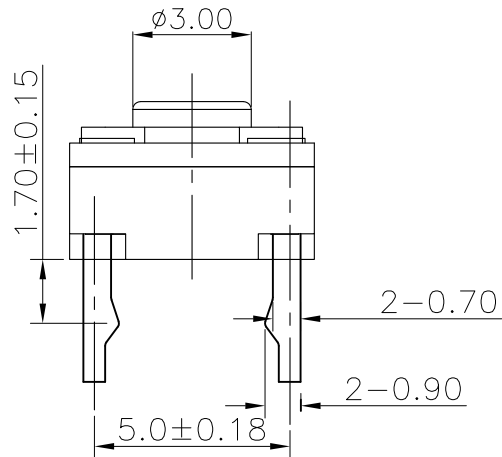


ABIDE BY ROHS



Specification :

1. Rating : DC12V 50mA
2. Contact Resistance : 100mΩ Max
3. Insulation Resistance : 100MΩ Min (DC250V)
4. Withstand Voltage : AC250V (50-60Hz) for 1 minute
5. Operation Force : 60 ± 10gf
6. Operation Position : 3.65 ± 0.2mm
7. Mechanical Life : 3,000,000 Cycles (min)



		AG-SUS301EH		Plating Silver
				Plating Silver
				Γ
		PBT		Black
ITEM	PART NAME	MATERIAL		
APPROVALS		DATE	东莞市凯华电子有限公司 东莞市龙华电子有限公司	
DRAWN	Chen Geng	2016/1/25	TITLE:	
CHECKED		PART NO. CMI624001D14		
APPROVALS		TOLERANCES ARE		
		$30 < L < 100 \pm 0.30$ $10 < L < 30 \pm 0.20$ $5 < L < 10 \pm 0.15$ $L \leq 5 \pm 0.10$		
		KHA-MI6240-006EN		

ECN NO.	REV.	DATE.	DESCRIPTION.	CHANGE.	CHECK.	APPRO.
	A		NEW			

4

3

2