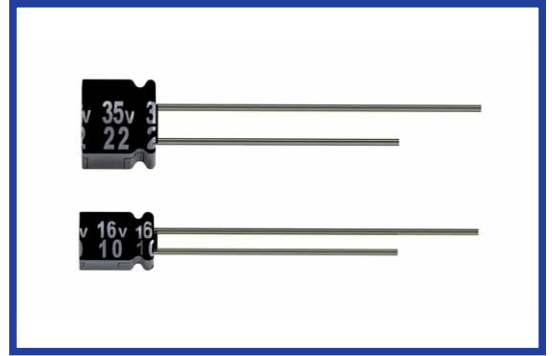


MH5 シリーズ  
SERIES

105°C 高さ5mm品  
105°C 5mm Height

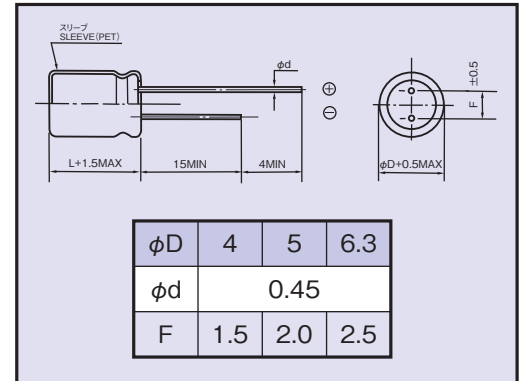
・105°C 1000時間品。  
Load Life : 105°C 1000 hours.



◆規格表 / SPECIFICATIONS

| 項目 Items  | 特性 Characteristics   |  |                              |      |      |      |      |               |
|---|--|--|------------------------------|------|------|------|------|---------------|
| カテゴリ温度範囲<br>Category Temperature Range                                  | -40~+105°C   |  |                              |      |      |      |      |               |
| 定格電圧範囲<br>Rated Voltage Range   | 6.3~50Vdc  |  |                              |      |      |      |      |               |
| 静電容量許容差<br>Capacitance Tolerance  | ±20% (20°C, 120Hz)   |  |                              |      |      |      |      |               |
| 漏れ電流<br>Leakage Current(MAX)  | I=0.01CV又は3µAのいずれか大なる値以下 (定格電圧印加2分後)<br>I=0.01CV or 3µA whichever is greater. (After 2 minutes application of rated voltage)   |  |                              |      |      |      |      |               |
|   | I=漏れ電流(µA)<br>Leakage Current  | C=静電容量(µF)<br>Capacitance                                | V=定格電圧(Vdc)<br>Rated Voltage |      |      |      |      |               |
| 損失角の正接<br>(tanδ)<br>Dissipation Factor(MAX)                             | 定格電圧(Vdc)<br>Rated Voltage   | 6.3  | 10                           | 16   | 25   | 35   | 50   | (20°C, 120Hz) |
|   | tanδ   | 0.28   | 0.24                         | 0.20 | 0.16 | 0.13 | 0.12 |               |
| 耐久性<br>Endurance  | 105°C中で1000時間定格電圧(リップル重量)印加後、下記項目を満足すること。<br>After applying rated voltage with rated ripple current for 1000 hours at 105°C, the capacitors shall meet the following requirements. |  |                              |      |      |      |      |               |
|   | 静電容量変化率<br>Capacitance Change  | 初期値の±25%以内<br>Within ±25% of the initial value.          |                              |      |      |      |      |               |
|   | 損失角の正接<br>Dissipation Factor   | 規格値の200%以下<br>Not more than 200% of the specified value. |                              |      |      |      |      |               |
| 低温特性<br>Low Temperature Stability<br>(インピーダンス比)<br>Impedance Ratio(MAX) | 定格電圧(Vdc)<br>Rated Voltage   | 6.3  | 10                           | 16   | 25   | 35   | 50   | (120Hz)       |
|   | Z(-25°C)/Z(20°C)   | 3  | 3                            | 2    | 2    | 2    | 2    |               |
|   | Z(-40°C)/Z(20°C)   | 8  | 5                            | 4    | 3    | 3    | 3    |               |

◆寸法図 / DIMENSIONS (mm)



◆リップル電流補正係数 / MULTIPLIER FOR RIPPLE CURRENT

| 周波数(Hz)<br>Frequency | 60(50) | 120  | 500  | 1k   | 10k≤ |
|----------------------|--------|------|------|------|------|
| 0.47~1µF             | 0.50   | 1.00 | 1.20 | 1.30 | 1.50 |
| 2.2~4.7µF            | 0.65   | 1.00 | 1.20 | 1.30 | 1.50 |
| 10~47µF              | 0.80   | 1.00 | 1.20 | 1.30 | 1.50 |
| 100µF                | 0.80   | 1.00 | 1.10 | 1.15 | 1.20 |

◆標準品一覧表 / STANDARD SIZE Size φD×L(mm), Rated Ripple Current (mA r.m.s./105°C, 120Hz)

| Vdc | Cap (µF) | Size (φD×L) | Rated Ripple Current |
|-----|----------|-------------|----------------------|
| 6.3 | 22       | 4×5         | 23                   |
|     | 33       | 5×5         | 30                   |
|     | 47       | 5×5         | 37                   |
|     | 100      | 6.3×5       | 57                   |
| 10  | 22       | 5×5         | 28                   |
|     | 33       | 5×5         | 34                   |
|     | 47       | 6.3×5       | 52                   |
|     | 100      | 6.3×5       | 62                   |

| Vdc | Cap (µF) | Size (φD×L) | Rated Ripple Current |
|-----|----------|-------------|----------------------|
| 16  | 10       | 4×5         | 20                   |
|     | 22       | 5×5         | 31                   |
|     | 33       | 6.3×5       | 48                   |
|     | 47       | 6.3×5       | 56                   |
|     | 100      | 6.3×5       | 62                   |
| 25  | 10       | 5×5         | 22                   |
|     | 22       | 6.3×5       | 44                   |
|     | 33       | 6.3×5       | 48                   |
|     | 47       | 6.3×5       | 56                   |

| Vdc | Cap (µF) | Size (φD×L) | Rated Ripple Current |
|-----|----------|-------------|----------------------|
| 35  | 4.7      | 4×5         | 17                   |
|     | 10       | 5×5         | 24                   |
|     | 22       | 6.3×5       | 48                   |
|     | 50       | 0.47        | 4×5                  |
| 1   |          | 4×5         | 8                    |
| 2.2 |          | 4×5         | 13                   |
| 3.3 |          | 4×5         | 14                   |
| 4.7 |          | 5×5         | 18                   |
| 10  |          | 6.3×5       | 28                   |

◆副記号 / OPTION

|                    | 記号 Code |
|--------------------|---------|
| PETスリーブ PET Sleeve | EFC     |

◆呼称方法 / PART NUMBER

|                       |                 |                     |                                  |               |                         |                     |
|-----------------------|-----------------|---------------------|----------------------------------|---------------|-------------------------|---------------------|
| □□□                   | MH5             | □□□□□               | M                                | □□□           | □□                      | D×L                 |
| 定格電圧<br>Rated Voltage | シリーズ名<br>Series | 静電容量<br>Capacitance | 静電容量許容差<br>Capacitance Tolerance | 副記号<br>Option | リード加工記号<br>Lead Forming | ケースサイズ<br>Case Size |