

Rubycon

小形アルミニウム電解コンデンサ
MINIATURE ALUMINUM ELECTROLYTIC CAPACITORS

YK

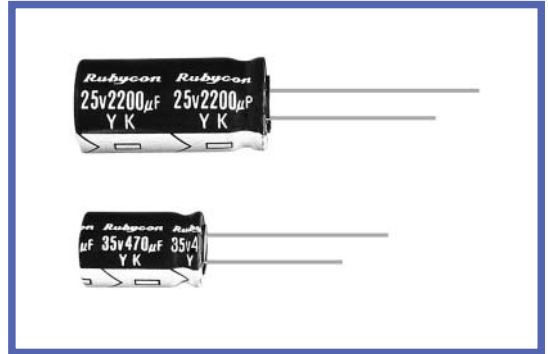
YK シリーズ
SERIES

旧シリーズ

85°C 標準品 85°C Standard

◆特長/FEATURES

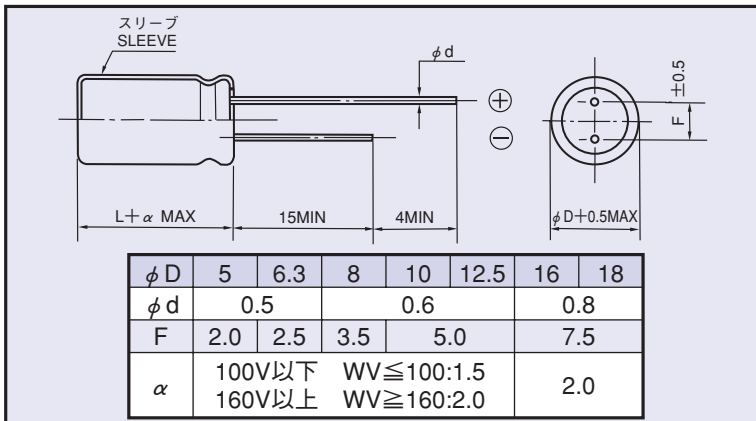
- 85°C, 2000時間品。
Load life : 85°C 2000 hours.
- RoHS指令対応品。
RoHS compliance.



◆規格表/SPECIFICATIONS

| 項目 Items | 特 性 Characteristics | | | | | | | | | | | | | | | |
|---|--|---|---|------|------|------|------|------|------|------|------|------|------|---------------|------|---|
| カテゴリ温度範囲 Category Temperature Range | -40~+85°C | -25~+85°C | | | | | | | | | | | | | | |
| 定格電圧範囲 Rated Voltage Range | 6.3~250V.DC | 350~450V.DC | | | | | | | | | | | | | | |
| 静電容量許容差 Capacitance Tolerance | ±20%(20°C, 120Hz) | | | | | | | | | | | | | | | |
| 漏れ電流 Leakage Current(MAX) | 6.3~100V.DC | 160~450V.DC | | | | | | | | | | | | | | |
| | I=0.01CV又は3µAのいずれか大なる値以下 I=0.01CV or 3µA whichever is greater. (定格電圧印加2分後) (After 2 minutes application of rated voltage) | CV≤1000 | CV>1000 | | | | | | | | | | | | | |
| | | I=0.1CV+40µA以下(1分値) I=0.1CV+40µA (1minute) I=0.03CV+15µA以下(5分値) I=0.03CV+15µA (5minutes) | I=0.04CV+100µA以下(1分値) I=0.04CV+100µA (1minute) I=0.02CV+25µA以下(5分値) I=0.02CV+25µA (5minutes) | | | | | | | | | | | | | |
| | I=漏れ電流(µA) Leakage Current | C=定格静電容量(µF) Rated Capacitance | V=定格電圧(V) Rated Voltage | | | | | | | | | | | | | |
| 損失角の正接(tanδ) Dissipation Factor(MAX) | 定格電圧(V) Rated Voltage | | | | | | | | | | | | | (20°C, 120Hz) | | |
| | tan δ | 0.26 | 0.22 | 0.18 | 0.16 | 0.14 | 0.12 | 0.10 | 0.08 | 0.20 | 0.20 | 0.20 | 0.20 | | 0.20 | |
| | 1000µFを越えるものは1000µF増す毎に上表の値に0.02を加えた値とする。 When rated capacitance is over 1000µF, tan δ shall be added 0.02 to the listed value with increase of every 1000µF. | | | | | | | | | | | | | | | |
| 耐 久 性 Endurance | 85°C中2000時間定格電圧(リップル重畳)印加後、下記項目を満足すること。 After applying rated voltage with rated ripple current for 2000hrs at 85°C, the capacitors shall meet the following requirements. | | | | | | | | | | | | | | | |
| | 静電容量変化率 Capacitance Change | 初期値の±25%以内 Within ±25% of the initial value. | | | | | | | | | | | | | | |
| | 損失角の正接 Dissipation Factor | 規格値の200%以下 Not more than 200% of the specified value. | | | | | | | | | | | | | | |
| | 漏れ電流 Leakage Current | 規格値以下 Not more than the specified value. | | | | | | | | | | | | | | |
| 低温特性 Low Temperature Stability (インピーダンス比) Impedance Ratio(MAX) | 定格電圧(V) Rated Voltage | | | | | | | | | | | | | (120Hz) | | |
| | Z(-25°C)/Z(20°C) | 4 | 3 | 2 | 2 | 2 | 2 | 2 | 2 | 3 | 3 | 3 | 5 | | 5 | 7 |
| | Z(-40°C)/Z(20°C) | 8 | 6 | 4 | 4 | 3 | 3 | 3 | 3 | - | - | - | - | | - | - |

◆寸法図/DIMENSIONS



(mm)

◆リップル電流補正係数/

MULTIPLIER FOR RIPPLE CURRENT

周波数係数 Frequency coefficient

| 係 数 Coefficient | 周波数 (Hz) Frequency | 60(50) | 120 | 500 | 1k | 10k≤ |
|--------------------|-----------------------|--------|------|------|------|------|
| | 0.1~1µF | 0.50 | 1.00 | 1.20 | 1.30 | 1.50 |
| 2.2~4.7µF | 0.65 | 1.00 | 1.20 | 1.30 | 1.50 | |
| 10~47µF | 0.80 | 1.00 | 1.20 | 1.30 | 1.50 | |
| 100~1000µF | 0.80 | 1.00 | 1.10 | 1.15 | 1.20 | |
| 2200~22000µF | 0.80 | 1.00 | 1.05 | 1.10 | 1.15 | |

◆呼称方法/PART NUMBER

YK D×L
 定格電圧 シリーズ名 定格静電容量 静電容量許容差 副記号 リード加工記号 ケースサイズ
 Rated Voltage Series Rated Capacitance Capacitance Tolerance Option Lead Forming Case Size

