

USC シリーズ  
SERIES

85°C 標準品  
85°C Standard

・85°C 3000時間品。  
Load Life : 85°C 3000 hours.



◆規格表 / SPECIFICATIONS

| 項目 Items  | 特 性 Characteristics   |  |                            |         |         |         |         |                  |         |         |              |         |                  |              |      |      |      |      |      |      |      |      |      |      |      |  |
|---|---|--|----------------------------|---------|---------|---------|---------|------------------|---------|---------|--------------|---------|------------------|--------------|------|------|------|------|------|------|------|------|------|------|------|--|
| カテゴリ温度範囲<br>Category Temperature Range                                  | -40~+85°C   | -25~+85°C  |                            |         |         |         |         |                  |         |         |              |         |                  |              |      |      |      |      |      |      |      |      |      |      |      |  |
| 定格電圧範囲<br>Rated Voltage Range   | 10~250Vdc   | 315~450Vdc   |                            |         |         |         |         |                  |         |         |              |         |                  |              |      |      |      |      |      |      |      |      |      |      |      |  |
| 静電容量許容差<br>Capacitance Tolerance  | ±20%(20°C,120Hz)  |  |                            |         |         |         |         |                  |         |         |              |         |                  |              |      |      |      |      |      |      |      |      |      |      |      |  |
| 漏れ電流<br>Leakage Current(MAX)  | $I=3\sqrt{CV}$ (定格電圧印加5分後)<br>$I=3\sqrt{CV}$ (After 5 minutes application of rated voltage)<br>I=漏れ電流(µA) Leakage Current      C=静電容量(µF) Capacitance      V=定格電圧(Vdc) Rated Voltage  |  |                            |         |         |         |         |                  |         |         |              |         |                  |              |      |      |      |      |      |      |      |      |      |      |      |  |
| 損失角の正接 (tanδ)<br>Dissipation Factor(MAX)                                | <table border="1"> <tr> <td>定格電圧(Vdc)<br/>Rated Voltage</td> <td>10</td><td>16</td><td>25</td><td>35</td><td>50</td><td>63</td><td>80</td><td>100</td><td>160~400</td><td>420~450</td> <td>(20°C,120Hz)</td> </tr> <tr> <td>tanδ</td> <td>0.55</td><td>0.50</td><td>0.45</td><td>0.40</td><td>0.35</td><td>0.30</td><td>0.25</td><td>0.20</td><td>0.15</td><td>0.25</td> <td></td> </tr> </table> |  | 定格電圧(Vdc)<br>Rated Voltage | 10      | 16      | 25      | 35      | 50               | 63      | 80      | 100          | 160~400 | 420~450          | (20°C,120Hz) | tanδ | 0.55 | 0.50 | 0.45 | 0.40 | 0.35 | 0.30 | 0.25 | 0.20 | 0.15 | 0.25 |  |
| 定格電圧(Vdc)<br>Rated Voltage  | 10  | 16   | 25                         | 35      | 50      | 63      | 80      | 100              | 160~400 | 420~450 | (20°C,120Hz) |         |                  |              |      |      |      |      |      |      |      |      |      |      |      |  |
| tanδ  | 0.55  | 0.50   | 0.45                       | 0.40    | 0.35    | 0.30    | 0.25    | 0.20             | 0.15    | 0.25    |              |         |                  |              |      |      |      |      |      |      |      |      |      |      |      |  |
| 耐 久 性<br>Endurance  | 85°C中で3000時間定格電圧(リップル重畳)印加後、下記項目を満足すること。<br>After applying rated voltage with rated ripple current for 3000 hours at 85°C, the capacitors shall meet the following requirements.  |  |                            |         |         |         |         |                  |         |         |              |         |                  |              |      |      |      |      |      |      |      |      |      |      |      |  |
|   | 静電容量変化率<br>Capacitance Change   | 初期値の±20%以内<br>Within ±20% of the initial value.          |                            |         |         |         |         |                  |         |         |              |         |                  |              |      |      |      |      |      |      |      |      |      |      |      |  |
|   | 損失角の正接<br>Dissipation Factor  | 規格値の200%以下<br>Not more than 200% of the specified value. |                            |         |         |         |         |                  |         |         |              |         |                  |              |      |      |      |      |      |      |      |      |      |      |      |  |
|   | 漏れ電流<br>Leakage Current   | 規格値以下<br>Not more than the specified value.              |                            |         |         |         |         |                  |         |         |              |         |                  |              |      |      |      |      |      |      |      |      |      |      |      |  |
| 低温特性<br>Low Temperature Stability<br>(インピーダンス比)<br>Impedance Ratio(MAX) | <table border="1"> <tr> <td>定格電圧(Vdc)<br/>Rated Voltage</td> <td>10~250</td><td>315~400</td><td>420~450</td> <td>(120Hz)</td> </tr> <tr> <td>Z(-25°C)/Z(20°C)</td> <td>3</td><td>8</td><td>12</td> <td></td> </tr> <tr> <td>Z(-40°C)/Z(20°C)</td> <td>12</td><td>-</td><td>-</td> <td></td> </tr> </table>  |  | 定格電圧(Vdc)<br>Rated Voltage | 10~250  | 315~400 | 420~450 | (120Hz) | Z(-25°C)/Z(20°C) | 3       | 8       | 12           |         | Z(-40°C)/Z(20°C) | 12           | -    | -    |      |      |      |      |      |      |      |      |      |  |
| 定格電圧(Vdc)<br>Rated Voltage  | 10~250  | 315~400  | 420~450                    | (120Hz) |         |         |         |                  |         |         |              |         |                  |              |      |      |      |      |      |      |      |      |      |      |      |  |
| Z(-25°C)/Z(20°C)  | 3   | 8  | 12                         |         |         |         |         |                  |         |         |              |         |                  |              |      |      |      |      |      |      |      |      |      |      |      |  |
| Z(-40°C)/Z(20°C)  | 12  | -  | -                          |         |         |         |         |                  |         |         |              |         |                  |              |      |      |      |      |      |      |      |      |      |      |      |  |

◆リップル電流補正係数 / MULTIPLIER FOR RIPPLE CURRENT

| 周波数(Hz)<br>Frequency | 60(50) | 120(100) | 300  | 500  | 1k   | 10k≦ |
|----------------------|--------|----------|------|------|------|------|
| 10~100Vdc            | 0.90   | 1.00     | 1.03 | 1.05 | 1.10 | 1.15 |
| 160~250Vdc           | 0.80   | 1.00     | 1.15 | 1.20 | 1.30 | 1.50 |
| 315~450Vdc           | 0.80   | 1.00     | 1.15 | 1.20 | 1.25 | 1.40 |

◆副記号 / OPTION

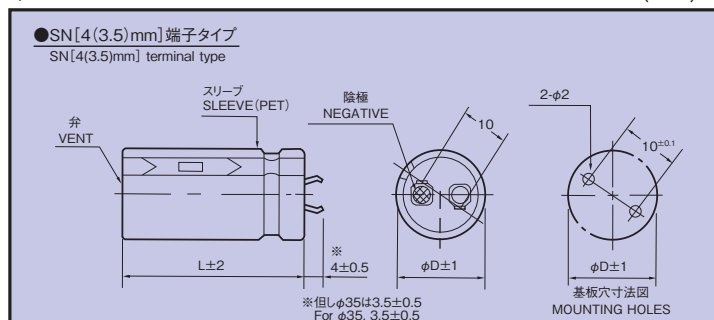
| 副記号 Code     | 記号 Code |
|--------------|---------|
| PETスリーブ、底板なし | EFC     |

◆呼称方法 / PART NUMBER

|               |        |             |                       |        |               |           |
|---------------|--------|-------------|-----------------------|--------|---------------|-----------|
| □□□           | USC    | □□□□□       | M                     | □□□    | SN            | DXL       |
| 定格電圧          | シリーズ名  | 静電容量        | 静電容量許容差               | 副記号    | 端子記号          | ケースサイズ    |
| Rated Voltage | Series | Capacitance | Capacitance Tolerance | Option | Terminal Code | Case Size |

◆寸法図 / DIMENSIONS

(mm)





# 基板自立形アルミニウム電解コンデンサ

## SNAP-IN ALUMINUM ELECTROLYTIC CAPACITORS

USC

### ◆標準品一覧表 STANDARD SIZE

| Cap<br>( $\mu$ F) | Vdc<br>$\phi$ D | 10          |             |             |             |             | 16          |             |             |             |             |
|-------------------|-----------------|-------------|-------------|-------------|-------------|-------------|-------------|-------------|-------------|-------------|-------------|
|                   |                 | $\phi$ 20   | $\phi$ 22   | $\phi$ 25   | $\phi$ 30   | $\phi$ 35   | $\phi$ 20   | $\phi$ 22   | $\phi$ 25   | $\phi$ 30   | $\phi$ 35   |
| 8200              |                 |             |             |             |             |             | 20x25: 2.56 |             |             |             |             |
| 10000             |                 | 20x25: 2.22 |             |             |             |             | 20x30: 2.85 | 22x25: 2.85 |             |             |             |
| 12000             |                 | 20x30: 2.44 | 22x25: 2.41 |             |             |             | 20x35: 3.20 | 22x30: 3.20 |             |             |             |
| 15000             |                 | 20x35: 2.90 | 22x30: 2.88 | 25x25: 2.88 |             |             | 20x40: 3.70 | 22x35: 3.70 | 25x25: 3.70 |             |             |
| 18000             |                 | 20x40: 3.31 | 22x35: 3.22 | 25x30: 3.08 |             |             |             | 22x40: 3.98 | 25x30: 3.98 |             |             |
| 22000             |                 |             | 22x40: 3.79 | 25x30: 3.66 | 30x25: 3.58 |             |             | 22x45: 4.52 | 25x35: 4.52 | 30x25: 4.52 |             |
| 27000             |                 |             | 22x45: 4.04 | 25x35: 4.04 | 30x30: 3.99 |             |             | 22x50: 4.98 | 25x40: 4.98 | 30x30: 4.98 |             |
| 33000             |                 |             | 22x50: 4.58 | 25x40: 4.56 | 30x30: 4.58 |             |             |             | 25x45: 5.49 | 30x35: 5.49 | 35x30: 5.49 |
| 39000             |                 |             |             | 25x45: 5.29 | 30x35: 5.21 | 35x30: 5.05 |             |             | 25x50: 6.11 | 30x40: 6.11 | 35x35: 6.11 |
| 47000             |                 |             |             | 25x50: 5.78 | 30x40: 5.78 | 35x35: 5.55 |             |             |             | 30x45: 6.80 | 35x35: 6.80 |
| 56000             |                 |             |             |             | 30x45: 6.59 | 35x35: 6.40 |             |             |             | 30x50: 7.62 | 35x40: 7.62 |
| 68000             |                 |             |             |             | 30x50: 7.50 | 35x40: 7.48 |             |             |             |             | 35x45: 8.45 |
| 82000             |                 |             |             |             |             | 35x50: 8.50 |             |             |             |             | 35x50: 9.14 |

| Cap<br>( $\mu$ F) | Vdc<br>$\phi$ D | 25          |             |             |             |             | 35          |             |             |             |             |
|-------------------|-----------------|-------------|-------------|-------------|-------------|-------------|-------------|-------------|-------------|-------------|-------------|
|                   |                 | $\phi$ 20   | $\phi$ 22   | $\phi$ 25   | $\phi$ 30   | $\phi$ 35   | $\phi$ 20   | $\phi$ 22   | $\phi$ 25   | $\phi$ 30   | $\phi$ 35   |
| 3300              |                 |             |             |             |             |             | 20x25: 2.14 |             |             |             |             |
| 3900              |                 |             |             |             |             |             | 20x30: 2.28 |             |             |             |             |
| 4700              |                 |             |             |             |             |             | 20x35: 2.46 | 22x25: 2.46 |             |             |             |
| 5600              |                 | 20x25: 2.33 |             |             |             |             | 20x40: 2.79 | 22x30: 2.79 | 25x25: 2.79 |             |             |
| 6800              |                 | 20x30: 2.56 | 22x25: 2.56 |             |             |             |             | 22x35: 2.89 | 25x30: 2.89 |             |             |
| 8200              |                 | 20x35: 2.91 | 22x30: 2.91 |             |             |             |             | 22x40: 3.47 | 25x30: 3.47 | 30x25: 3.47 |             |
| 10000             |                 | 20x40: 3.18 | 22x35: 3.18 | 25x25: 3.18 |             |             |             | 22x45: 3.59 | 25x35: 3.59 | 30x30: 3.59 |             |
| 12000             |                 |             | 22x40: 3.53 | 25x30: 3.53 |             |             |             | 22x50: 4.51 | 25x40: 4.51 | 30x30: 4.51 |             |
| 15000             |                 |             | 22x45: 4.08 | 25x35: 4.08 | 30x25: 4.08 |             |             | 25x45: 4.80 | 30x35: 4.80 | 35x30: 4.80 |             |
| 18000             |                 |             | 22x50: 4.68 | 25x40: 4.68 | 30x30: 4.68 |             |             |             | 30x40: 5.70 | 35x35: 5.70 |             |
| 22000             |                 |             |             | 25x45: 5.19 | 30x35: 5.19 | 35x30: 5.19 |             |             |             | 30x45: 6.38 | 35x40: 6.38 |
| 27000             |                 |             |             | 25x50: 6.02 | 30x40: 6.02 | 35x35: 6.02 |             |             |             |             | 35x45: 6.90 |
| 33000             |                 |             |             |             | 30x45: 6.75 | 35x40: 6.75 |             |             |             |             | 35x50: 7.49 |
| 39000             |                 |             |             |             | 30x50: 7.56 | 35x45: 7.56 |             |             |             |             |             |
| 47000             |                 |             |             |             |             | 35x50: 8.30 |             |             |             |             |             |

| Cap<br>( $\mu$ F) | Vdc<br>$\phi$ D | 50          |             |             |             |             | 63          |             |             |             |             |
|-------------------|-----------------|-------------|-------------|-------------|-------------|-------------|-------------|-------------|-------------|-------------|-------------|
|                   |                 | $\phi$ 20   | $\phi$ 22   | $\phi$ 25   | $\phi$ 30   | $\phi$ 35   | $\phi$ 20   | $\phi$ 22   | $\phi$ 25   | $\phi$ 30   | $\phi$ 35   |
| 1500              |                 |             |             |             |             |             | 20x25: 1.69 |             |             |             |             |
| 1800              |                 |             |             |             |             |             | 20x30: 2.04 | 22x25: 2.04 |             |             |             |
| 2200              |                 | 20x25: 2.07 |             |             |             |             | 20x35: 2.40 | 22x30: 2.40 |             |             |             |
| 2700              |                 | 20x30: 2.21 | 22x25: 2.21 |             |             |             | 20x40: 2.52 | 22x35: 2.52 | 25x25: 2.52 |             |             |
| 3300              |                 | 20x35: 2.41 | 22x30: 2.41 |             |             |             |             | 22x40: 2.69 | 25x30: 2.69 |             |             |
| 3900              |                 | 20x40: 2.72 | 22x30: 2.72 | 25x25: 2.72 |             |             |             | 22x45: 3.10 | 25x35: 3.10 | 30x25: 3.10 |             |
| 4700              |                 |             | 22x35: 3.01 | 25x30: 3.01 |             |             |             | 22x50: 3.49 | 25x40: 3.49 | 30x30: 3.49 |             |
| 5600              |                 |             | 22x40: 3.43 | 25x35: 3.43 | 30x25: 3.43 |             |             |             | 25x45: 3.81 | 30x35: 3.81 |             |
| 6800              |                 |             | 22x45: 3.94 | 25x35: 3.94 | 30x30: 3.94 |             |             |             | 25x50: 4.41 | 30x40: 4.41 | 35x30: 4.41 |
| 8200              |                 |             |             | 25x40: 4.37 | 30x35: 4.37 |             |             |             |             | 30x45: 4.90 | 35x35: 4.90 |
| 10000             |                 |             |             | 25x50: 5.02 | 30x40: 5.02 | 35x30: 5.02 |             |             |             | 30x50: 5.49 | 35x40: 5.49 |
| 12000             |                 |             |             |             | 30x45: 5.60 | 35x35: 5.60 |             |             |             |             | 35x45: 6.30 |
| 15000             |                 |             |             |             | 30x50: 6.44 | 35x40: 6.44 |             |             |             |             |             |
| 18000             |                 |             |             |             |             | 35x45: 6.71 |             |             |             |             |             |

| Cap<br>( $\mu$ F) | Vdc<br>$\phi$ D | 80          |             |             |             |             | 100         |             |             |             |             |
|-------------------|-----------------|-------------|-------------|-------------|-------------|-------------|-------------|-------------|-------------|-------------|-------------|
|                   |                 | $\phi$ 20   | $\phi$ 22   | $\phi$ 25   | $\phi$ 30   | $\phi$ 35   | $\phi$ 20   | $\phi$ 22   | $\phi$ 25   | $\phi$ 30   | $\phi$ 35   |
| 680               |                 |             |             |             |             |             | 20x25: 1.66 |             |             |             |             |
| 820               |                 |             |             |             |             |             | 20x30: 1.86 | 22x25: 1.86 |             |             |             |
| 1000              |                 | 20x25: 1.56 |             |             |             |             | 20x30: 2.02 | 22x30: 2.02 |             |             |             |
| 1200              |                 | 20x30: 1.80 | 22x25: 1.80 |             |             |             | 20x35: 2.12 | 22x30: 2.12 | 25x25: 2.12 |             |             |
| 1500              |                 | 20x30: 2.10 | 22x30: 2.10 |             |             |             | 20x40: 2.45 | 22x35: 2.45 | 25x30: 2.45 |             |             |
| 1800              |                 | 20x35: 2.30 | 22x30: 2.30 | 25x25: 2.30 |             |             |             | 22x40: 2.77 | 25x30: 2.77 | 30x25: 2.77 |             |
| 2200              |                 | 20x40: 2.53 | 22x35: 2.53 | 25x30: 2.53 |             |             |             | 22x45: 3.12 | 25x35: 3.12 | 30x30: 3.12 |             |
| 2700              |                 |             | 22x40: 2.93 | 25x35: 2.93 | 30x25: 2.93 |             |             |             | 25x40: 3.61 | 30x30: 3.61 |             |
| 3300              |                 |             | 22x45: 3.25 | 25x35: 3.25 | 30x30: 3.25 |             |             |             | 25x50: 4.06 | 30x35: 4.06 | 35x30: 4.06 |
| 3900              |                 |             |             | 25x40: 3.62 | 30x35: 3.62 |             |             |             |             | 30x40: 4.60 | 35x35: 4.60 |
| 4700              |                 |             |             | 25x45: 4.28 | 30x40: 4.28 | 35x30: 4.28 |             |             |             | 30x45: 5.13 | 35x40: 5.13 |
| 5600              |                 |             |             |             | 30x45: 4.55 | 35x35: 4.55 |             |             |             |             | 35x45: 5.75 |
| 6800              |                 |             |             |             | 30x45: 5.83 | 35x40: 5.83 |             |             |             |             | 35x50: 6.01 |
| 8200              |                 |             |             |             |             | 35x45: 6.40 |             |             |             |             |             |
| 10000             |                 |             |             |             |             | 35x50: 7.03 |             |             |             |             |             |

↑ リプル電流 Ripple Current (A r.m.s./120Hz, 85°C)  
↑ ケースサイズ Case Size  $\phi$ D×L(mm)



# 基板自立形アルミニウム電解コンデンサ

## SNAP-IN ALUMINUM ELECTROLYTIC CAPACITORS

USC

### ◆標準品一覧表 STANDARD SIZE

| Cap<br>( $\mu$ F) | Vdc<br>$\phi$ D | 160        |            |            |            |            | 180        |            |            |            |            |            |
|-------------------|-----------------|------------|------------|------------|------------|------------|------------|------------|------------|------------|------------|------------|
|                   |                 | $\phi$ 20  | $\phi$ 22  | $\phi$ 25  | $\phi$ 30  | $\phi$ 35  | $\phi$ 20  | $\phi$ 22  | $\phi$ 25  | $\phi$ 30  | $\phi$ 35  |            |
| 270               |                 | 20x25:1.28 |            |            |            |            | 20x25:1.29 |            |            |            |            |            |
| 330               |                 | 20x25:1.55 |            |            |            |            | 20x30:1.77 | 22x25:1.49 |            |            |            |            |
| 390               |                 | 20x30:1.63 | 22x25:1.63 |            |            |            | 20x30:1.84 | 22x25:1.84 |            |            |            |            |
| 470               |                 | 20x30:1.90 | 22x30:1.86 | 25x25:1.86 |            |            | 20x35:1.91 | 22x30:1.91 | 25x25:2.08 |            |            |            |
| 560               |                 | 20x35:2.14 | 22x30:2.15 | 25x25:2.15 |            |            | 20x40:2.15 | 22x35:2.25 | 25x25:2.25 |            |            |            |
| 680               |                 | 20x40:2.35 | 22x35:2.35 | 25x30:2.33 | 30x25:2.33 |            |            | 22x35:2.48 | 25x30:2.50 |            | 30x25:2.46 |            |
| 820               |                 |            | 22x40:2.68 | 25x30:2.65 | 30x25:2.64 |            |            | 22x40:2.86 | 25x35:2.75 | 30x25:2.69 |            |            |
| 1000              |                 |            | 22x45:3.02 | 25x35:3.00 | 30x30:2.96 |            |            | 22x50:3.10 | 25x40:3.06 | 30x30:3.10 |            |            |
| 1200              |                 |            |            | 25x40:3.43 | 30x30:3.41 | 35x30:3.40 |            |            | 25x45:3.63 | 30x35:3.55 | 35x30:3.49 |            |
| 1500              |                 |            |            | 25x50:3.96 | 30x35:3.96 | 35x30:3.94 |            |            |            |            | 30x40:4.10 | 35x35:4.02 |
| 1800              |                 |            |            |            | 30x40:4.31 | 35x35:4.28 |            |            |            |            | 30x45:4.55 | 35x35:4.54 |
| 2200              |                 |            |            |            | 30x50:4.96 | 35x40:4.96 |            |            |            |            |            | 35x40:4.83 |
| 2700              |                 |            |            |            |            | 35x45:5.57 |            |            |            |            |            | 35x50:5.30 |

| Cap<br>( $\mu$ F) | Vdc<br>$\phi$ D | 200        |            |            |            |            | 220        |            |            |            |            |            |
|-------------------|-----------------|------------|------------|------------|------------|------------|------------|------------|------------|------------|------------|------------|
|                   |                 | $\phi$ 20  | $\phi$ 22  | $\phi$ 25  | $\phi$ 30  | $\phi$ 35  | $\phi$ 20  | $\phi$ 22  | $\phi$ 25  | $\phi$ 30  | $\phi$ 35  |            |
| 220               |                 | 20x25:1.19 |            |            |            |            | 20x25:1.23 |            |            |            |            |            |
| 270               |                 | 20x25:1.39 | 22x25:1.37 |            |            |            | 20x30:1.46 | 22x25:1.42 |            |            |            |            |
| 330               |                 | 20x30:1.56 | 22x25:1.51 |            |            |            | 20x35:1.64 | 22x30:1.59 |            |            |            |            |
| 390               |                 | 20x35:1.74 | 22x30:1.73 | 25x25:1.71 |            |            | 20x35:1.79 | 22x30:1.80 | 25x25:1.75 |            |            |            |
| 470               |                 | 20x35:2.03 | 22x30:1.97 | 25x25:1.95 |            |            | 20x40:2.12 | 22x35:2.06 | 25x30:2.08 |            |            |            |
| 560               |                 | 20x40:2.18 | 22x35:2.18 | 25x30:2.15 | 30x25:2.15 |            |            | 22x40:2.22 | 25x35:2.38 | 30x25:2.18 |            |            |
| 680               |                 |            | 22x40:2.48 | 25x30:2.48 | 30x25:2.48 |            |            | 22x45:2.62 | 25x35:2.56 | 30x30:2.52 |            |            |
| 820               |                 |            | 22x45:2.81 | 25x35:2.79 | 30x30:2.75 |            |            |            | 25x45:2.91 | 30x35:2.84 | 35x30:2.79 |            |
| 1000              |                 |            | 22x50:3.28 | 25x40:3.28 | 30x35:3.15 |            |            |            |            | 30x35:3.36 | 35x30:3.29 |            |
| 1200              |                 |            |            | 25x45:3.61 | 30x35:3.61 | 35x30:3.57 |            |            |            | 30x40:3.72 | 35x35:3.68 |            |
| 1500              |                 |            |            |            | 30x45:4.13 | 35x35:4.06 |            |            |            | 30x50:4.18 | 35x40:4.10 |            |
| 1800              |                 |            |            |            | 30x50:4.60 | 35x40:4.59 |            |            |            |            |            | 35x45:4.52 |
| 2200              |                 |            |            |            |            | 35x45:5.25 |            |            |            |            |            |            |

| Cap<br>( $\mu$ F) | Vdc<br>$\phi$ D | 250        |            |            |            |            | 315        |            |            |            |            |            |
|-------------------|-----------------|------------|------------|------------|------------|------------|------------|------------|------------|------------|------------|------------|
|                   |                 | $\phi$ 20  | $\phi$ 22  | $\phi$ 25  | $\phi$ 30  | $\phi$ 35  | $\phi$ 20  | $\phi$ 22  | $\phi$ 25  | $\phi$ 30  | $\phi$ 35  |            |
| 150               |                 |            |            |            |            |            | 20x30:1.00 |            |            |            |            |            |
| 180               |                 | 20x25:1.20 |            |            |            |            | 20x35:1.13 | 22x30:1.29 | 25x25:1.38 |            |            |            |
| 220               |                 | 20x25:1.26 | 22x25:1.24 |            |            |            | 20x35:1.29 | 22x30:1.41 | 25x25:1.47 |            |            |            |
| 270               |                 | 20x30:1.42 | 22x25:1.50 |            |            |            |            | 22x35:1.68 | 25x30:1.70 |            |            |            |
| 330               |                 | 20x35:1.68 | 22x30:1.66 | 25x25:1.61 |            |            |            | 22x40:1.91 | 25x35:1.94 | 30x25:1.98 |            |            |
| 390               |                 | 20x40:1.92 | 22x35:1.88 | 25x30:1.88 |            |            |            | 22x45:2.07 | 25x40:2.11 | 30x30:2.15 |            |            |
| 470               |                 |            | 22x35:2.15 | 25x35:2.15 | 30x25:2.04 |            |            |            | 25x50:2.31 | 30x35:2.38 | 35x30:2.36 |            |
| 560               |                 |            | 22x40:2.48 | 25x35:2.35 | 30x25:2.35 |            |            |            |            | 30x35:2.63 | 35x30:2.69 |            |
| 680               |                 |            |            | 25x40:2.67 | 30x30:2.71 |            |            |            |            | 30x45:2.80 | 35x35:3.05 |            |
| 820               |                 |            |            | 25x45:3.01 | 30x35:2.98 | 35x30:2.96 |            |            |            | 30x50:3.28 | 35x40:3.45 |            |
| 1000              |                 |            |            |            | 30x40:3.56 | 35x35:3.48 |            |            |            |            |            | 35x45:3.57 |
| 1200              |                 |            |            |            | 30x45:3.99 | 35x35:3.84 |            |            |            |            |            |            |
| 1500              |                 |            |            |            |            | 35x40:4.33 |            |            |            |            |            |            |
| 1800              |                 |            |            |            |            | 35x50:4.54 |            |            |            |            |            |            |

| Cap<br>( $\mu$ F) | Vdc<br>$\phi$ D | 350        |            |            |            |            | 385        |            |            |            |            |            |
|-------------------|-----------------|------------|------------|------------|------------|------------|------------|------------|------------|------------|------------|------------|
|                   |                 | $\phi$ 20  | $\phi$ 22  | $\phi$ 25  | $\phi$ 30  | $\phi$ 35  | $\phi$ 20  | $\phi$ 22  | $\phi$ 25  | $\phi$ 30  | $\phi$ 35  |            |
| 68                |                 |            |            |            |            |            | 20x25:0.68 |            |            |            |            |            |
| 82                |                 |            |            |            |            |            | 20x30:0.74 | 22x25:0.76 |            |            |            |            |
| 100               |                 |            |            |            |            |            | 20x30:0.86 | 22x30:0.89 |            |            |            |            |
| 120               |                 | 20x30:0.96 | 22x25:1.04 |            |            |            |            |            |            |            |            |            |
| 150               |                 | 20x30:1.10 | 22x30:1.20 | 25x25:1.22 |            |            | 20x35:1.10 | 22x35:1.12 | 25x30:1.14 |            |            |            |
| 180               |                 | 20x35:1.24 | 22x30:1.34 | 25x25:1.37 |            |            | 20x40:1.27 | 22x35:1.27 | 25x30:1.30 | 30x25:1.37 |            |            |
| 220               |                 |            | 22x35:1.47 | 25x30:1.53 | 30x25:1.54 |            |            | 22x40:1.42 | 25x35:1.48 | 30x30:1.49 |            |            |
| 270               |                 |            | 22x40:1.70 | 25x35:1.73 | 30x25:1.80 |            |            | 22x50:1.60 | 25x40:1.61 | 30x30:1.64 |            |            |
| 330               |                 |            | 22x45:1.87 | 25x35:1.97 | 30x30:2.03 |            |            |            | 25x45:1.80 | 30x35:1.85 | 35x30:1.87 |            |
| 390               |                 |            |            | 25x40:2.14 | 30x35:2.23 | 35x30:2.30 |            |            |            | 25x50:2.04 | 30x40:2.05 | 35x35:2.07 |
| 470               |                 |            |            | 25x50:2.55 | 30x35:2.53 | 35x30:2.55 |            |            |            |            | 30x45:2.26 | 35x35:2.26 |
| 560               |                 |            |            |            | 30x40:2.73 | 35x35:2.75 |            |            |            |            | 30x50:2.57 | 35x40:2.59 |
| 680               |                 |            |            |            | 30x50:3.15 | 35x40:3.15 |            |            |            |            |            | 35x45:2.80 |
| 820               |                 |            |            |            |            | 35x45:3.47 |            |            |            |            |            |            |
| 1000              |                 |            |            |            |            | 35x50:3.60 |            |            |            |            |            |            |

↑ リプル電流 Ripple Current (A r.m.s./120Hz, 85°C)  
↑ ケースサイズ Case Size  $\phi$ D×L(mm)

**◆標準品一覧表 STANDARD SIZE**

| Cap<br>( $\mu$ F) | Vdc<br>$\phi$ D | 400        |            |            |            |           | 420        |            |            |            |            |
|-------------------|-----------------|------------|------------|------------|------------|-----------|------------|------------|------------|------------|------------|
|                   |                 | $\phi$ 20  | $\phi$ 22  | $\phi$ 25  | $\phi$ 30  | $\phi$ 35 | $\phi$ 20  | $\phi$ 22  | $\phi$ 25  | $\phi$ 30  | $\phi$ 35  |
| 68                | 20x25;0.75      |            |            |            |            |           | 20x25;0.70 |            |            |            |            |
| 82                | 20x30;0.82      | 22x25;0.84 |            |            |            |           | 20x30;0.80 | 22x25;0.85 |            |            |            |
| 100               | 20x30;0.95      | 22x30;0.99 |            |            |            |           | 20x35;0.90 | 22x30;0.97 | 25x25;0.98 |            |            |
| 120               | 20x35;1.07      | 22x30;1.09 | 25x25;1.13 |            |            |           | 20x35;1.04 | 22x30;1.07 | 25x25;1.08 |            |            |
| 150               | 20x40;1.22      | 22x35;1.24 | 25x30;1.27 |            |            |           | 20x40;1.17 | 22x35;1.21 | 25x30;1.26 | 30x25;1.30 |            |
| 180               |                 | 22x40;1.41 | 25x30;1.44 | 30x25;1.52 |            |           |            | 22x40;1.33 | 25x35;1.42 | 30x25;1.48 |            |
| 220               |                 | 22x45;1.58 | 25x35;1.64 | 30x30;1.66 |            |           |            | 22x45;1.55 | 25x35;1.58 | 30x30;1.65 |            |
| 270               |                 |            | 25x40;1.79 | 30x30;1.82 |            |           |            |            | 25x40;1.74 | 30x35;1.90 | 35x30;1.94 |
| 330               |                 |            | 25x45;2.00 | 30x35;2.05 | 35x30;2.05 |           |            |            | 25x50;2.20 | 30x35;1.98 | 35x35;2.17 |
| 390               |                 |            |            | 30x40;2.26 | 35x35;2.28 |           |            |            |            | 30x40;2.22 | 35x35;2.27 |
| 470               |                 |            |            | 30x45;2.51 | 35x40;2.54 |           |            |            |            | 30x45;2.50 | 35x40;2.61 |
| 560               |                 |            |            | 30x50;2.85 | 35x40;2.85 |           |            |            |            |            | 35x45;2.95 |
| 680               |                 |            |            |            | 35x50;3.10 |           |            |            |            |            |            |

| Cap<br>( $\mu$ F) | Vdc<br>$\phi$ D | 450        |            |            |            |           |
|-------------------|-----------------|------------|------------|------------|------------|-----------|
|                   |                 | $\phi$ 20  | $\phi$ 22  | $\phi$ 25  | $\phi$ 30  | $\phi$ 35 |
| 56                | 20x25;0.61      |            |            |            |            |           |
| 68                | 20x30;0.70      | 22x25;0.71 |            |            |            |           |
| 82                | 20x35;0.80      | 22x25;0.86 |            |            |            |           |
| 100               | 20x35;0.88      | 22x30;0.95 | 25x25;0.97 |            |            |           |
| 120               | 20x40;0.99      | 22x35;1.07 | 25x30;1.09 | 30x25;1.12 |            |           |
| 150               |                 | 22x40;1.18 | 25x30;1.25 | 30x25;1.29 |            |           |
| 180               |                 | 22x45;1.32 | 25x35;1.40 | 30x30;1.45 |            |           |
| 220               |                 |            | 25x40;1.59 | 30x30;1.64 | 35x30;1.66 |           |
| 270               |                 |            | 25x45;1.73 | 30x35;1.89 | 35x30;1.90 |           |
| 330               |                 |            | 25x50;2.12 | 30x40;2.12 | 35x35;2.15 |           |
| 390               |                 |            |            | 30x45;2.35 | 35x40;2.38 |           |
| 470               |                 |            |            | 30x50;2.65 | 35x45;2.68 |           |
| 560               |                 |            |            |            | 35x50;2.88 |           |

↑ ↑  
 リプル電流 Ripple Current (A r.m.s./120Hz, 85°C)  
 ケースサイズ Case Size  $\phi$ D×L(mm)