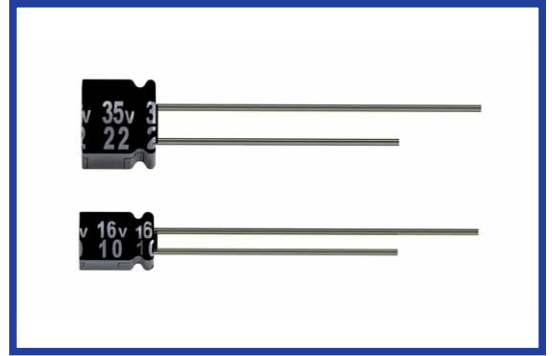


MH5 シリーズ
SERIES

105°C 高さ5mm品
105°C 5mm Height

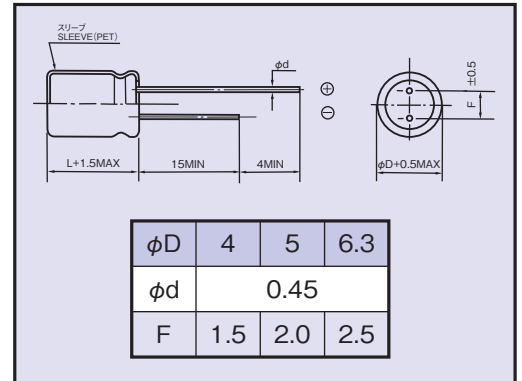
・105°C 1000時間品。
Load Life : 105°C 1000 hours.



◆規格表 / SPECIFICATIONS

| 項目 Items | 特性 Characteristics | | | | | | | |
|---|--|--|------------------------------|------|------|------|------|---------------|
| カテゴリ温度範囲 Category Temperature Range | -40~+105°C | | | | | | | |
| 定格電圧範囲 Rated Voltage Range | 6.3~50Vdc | | | | | | | |
| 静電容量許容差 Capacitance Tolerance | ±20% (20°C, 120Hz) | | | | | | | |
| 漏れ電流 Leakage Current(MAX) | I=0.01CV又は3µAのいずれか大なる値以下 (定格電圧印加2分後) I=0.01CV or 3µA whichever is greater. (After 2 minutes application of rated voltage) | | | | | | | |
| | I=漏れ電流(µA) Leakage Current | C=静電容量(µF) Capacitance | V=定格電圧(Vdc) Rated Voltage | | | | | |
| 損失角の正接 (tanδ) Dissipation Factor(MAX) | 定格電圧(Vdc) Rated Voltage | 6.3 | 10 | 16 | 25 | 35 | 50 | (20°C, 120Hz) |
| | tanδ | 0.28 | 0.24 | 0.20 | 0.16 | 0.13 | 0.12 | |
| 耐久性 Endurance | 105°C中で1000時間定格電圧(リップル重量)印加後、下記項目を満足すること。 After applying rated voltage with rated ripple current for 1000 hours at 105°C, the capacitors shall meet the following requirements. | | | | | | | |
| | 静電容量変化率 Capacitance Change | 初期値の±25%以内 Within ±25% of the initial value. | | | | | | |
| | 損失角の正接 Dissipation Factor | 規格値の200%以下 Not more than 200% of the specified value. | | | | | | |
| 低温特性 Low Temperature Stability (インピーダンス比) Impedance Ratio(MAX) | 定格電圧(Vdc) Rated Voltage | 6.3 | 10 | 16 | 25 | 35 | 50 | (120Hz) |
| | Z(-25°C)/Z(20°C) | 3 | 3 | 2 | 2 | 2 | 2 | |
| | Z(-40°C)/Z(20°C) | 8 | 5 | 4 | 3 | 3 | 3 | |

◆寸法図 / DIMENSIONS (mm)



◆リップル電流補正係数 / MULTIPLIER FOR RIPPLE CURRENT

| 周波数(Hz) Frequency | 60(50) | 120 | 500 | 1k | 10k≤ |
|----------------------|--------|------|------|------|------|
| 0.47~1µF | 0.50 | 1.00 | 1.20 | 1.30 | 1.50 |
| 2.2~4.7µF | 0.65 | 1.00 | 1.20 | 1.30 | 1.50 |
| 10~47µF | 0.80 | 1.00 | 1.20 | 1.30 | 1.50 |
| 100µF | 0.80 | 1.00 | 1.10 | 1.15 | 1.20 |

◆標準品一覧表 / STANDARD SIZE Size φD×L(mm), Rated Ripple Current (mA r.m.s./105°C, 120Hz)

| Vdc | Cap (µF) | Size (φD×L) | Rated Ripple Current |
|-----|----------|-------------|----------------------|
| 6.3 | 22 | 4×5 | 23 |
| | 33 | 5×5 | 30 |
| | 47 | 5×5 | 37 |
| | 100 | 6.3×5 | 57 |
| 10 | 22 | 5×5 | 28 |
| | 33 | 5×5 | 34 |
| | 47 | 6.3×5 | 52 |
| | 100 | 6.3×5 | 62 |

| Vdc | Cap (µF) | Size (φD×L) | Rated Ripple Current |
|-----|----------|-------------|----------------------|
| 16 | 10 | 4×5 | 20 |
| | 22 | 5×5 | 31 |
| | 33 | 6.3×5 | 48 |
| | 47 | 6.3×5 | 56 |
| | 100 | 6.3×5 | 62 |
| 25 | 10 | 5×5 | 22 |
| | 22 | 6.3×5 | 44 |
| | 33 | 6.3×5 | 48 |
| | 47 | 6.3×5 | 56 |

| Vdc | Cap (µF) | Size (φD×L) | Rated Ripple Current |
|-----|----------|-------------|----------------------|
| 35 | 4.7 | 4×5 | 17 |
| | 10 | 5×5 | 24 |
| | 22 | 6.3×5 | 48 |
| | 0.47 | 4×5 | 4 |
| 50 | 1 | 4×5 | 8 |
| | 2.2 | 4×5 | 13 |
| | 3.3 | 4×5 | 14 |
| | 4.7 | 5×5 | 18 |
| | 10 | 6.3×5 | 28 |

◆副記号 / OPTION

| | 記号 Code |
|--------------------|---------|
| PETスリーブ PET Sleeve | EFC |

◆呼称方法 / PART NUMBER

| | | | | | | |
|-----------------------|-----------------|---------------------|----------------------------------|---------------|-------------------------|---------------------|
| □□□ | MH5 | □□□□□ | M | □□□ | □□ | D×L |
| 定格電圧 Rated Voltage | シリーズ名 Series | 静電容量 Capacitance | 静電容量許容差 Capacitance Tolerance | 副記号 Option | リード加工記号 Lead Forming | ケースサイズ Case Size |