

USG series

85°C 3000 時間 標準品  
Load Life : 85°C 3000 hours, Standard



◆規格表 / SPECIFICATIONS

| 項目 Item  | 特性 Characteristics   |             |                               |   |                              |  |                         |   |                   |    |             |               |       |      |                   |      |      |      |      |      |      |  |
|--|--|-------------|-------------------------------|---|------------------------------|--|-------------------------|---|-------------------|----|-------------|---------------|-------|------|-------------------|------|------|------|------|------|------|--|
| カテゴリ温度範囲<br>Category Temperature Range                                   | -40~+85°C  | -25~+85°C   |                               |   |                              |  |                         |   |                   |    |             |               |       |      |                   |      |      |      |      |      |      |  |
| 定格電圧範囲<br>Rated Voltage Range  | 10~250Vdc  | 400~450Vdc  |                               |   |                              |  |                         |   |                   |    |             |               |       |      |                   |      |      |      |      |      |      |  |
| 静電容量許容差<br>Capacitance Tolerance   | ±20% (20°C, 120Hz)   |             |                               |   |                              |  |                         |   |                   |    |             |               |       |      |                   |      |      |      |      |      |      |  |
| 漏れ電流<br>Leakage Current (MAX)  | $I=3\sqrt{CV}$ (定格電圧印加5分後)<br>$I=3\sqrt{CV}$ (After 5 minutes application of rated voltage)<br>I=漏れ電流 (μA) C=静電容量 (μF) V=定格電圧 (Vdc)<br>Leakage Current Capacitance Rated Voltage   |             |                               |   |                              |  |                         |   |                   |    |             |               |       |      |                   |      |      |      |      |      |      |  |
| 損失角の正接 (tan δ)<br>Dissipation Factor (MAX)                               | <table border="1"> <thead> <tr> <th>定格電圧 (Vdc)<br/>Rated Voltage</th> <th>10</th> <th>16</th> <th>25</th> <th>35</th> <th>50</th> <th>63</th> <th>80</th> <th>100~<br/>450</th> <th>(20°C, 120Hz)</th> </tr> </thead> <tbody> <tr> <td>tan δ</td> <td>0.55</td> <td>0.50</td> <td>0.45</td> <td>0.40</td> <td>0.35</td> <td>0.30</td> <td>0.25</td> <td>0.20</td> <td></td> </tr> </tbody> </table>      |             | 定格電圧 (Vdc)<br>Rated Voltage   | 10  | 16                           | 25   | 35                      | 50  | 63                | 80 | 100~<br>450 | (20°C, 120Hz) | tan δ | 0.55 | 0.50              | 0.45 | 0.40 | 0.35 | 0.30 | 0.25 | 0.20 |  |
| 定格電圧 (Vdc)<br>Rated Voltage  | 10   | 16          | 25                            | 35  | 50                           | 63   | 80                      | 100~<br>450                                 | (20°C, 120Hz)     |    |             |               |       |      |                   |      |      |      |      |      |      |  |
| tan δ  | 0.55   | 0.50        | 0.45                          | 0.40  | 0.35                         | 0.30   | 0.25                    | 0.20  |                   |    |             |               |       |      |                   |      |      |      |      |      |      |  |
| 耐久性<br>Endurance   | 85°C中で3000時間定格電圧(リップル重畳)印加後、下記項目を満足すること。<br>After applying rated voltage with rated ripple current for 3000 hours at 85°C, the capacitors shall meet the following requirements.   |             |                               |   |                              |  |                         |   |                   |    |             |               |       |      |                   |      |      |      |      |      |      |  |
|  | <table border="1"> <tbody> <tr> <td>静電容量変化率<br/>Capacitance Change</td> <td>初期値の ±20% 以内<br/>Within ±20% of the initial value.</td> </tr> <tr> <td>損失角の正接<br/>Dissipation Factor</td> <td>規格値の 200% 以下<br/>Not more than 200% of the specified value.</td> </tr> <tr> <td>漏れ電流<br/>Leakage Current</td> <td>規格値以下<br/>Not more than the specified value.</td> </tr> </tbody> </table>                    |             | 静電容量変化率<br>Capacitance Change | 初期値の ±20% 以内<br>Within ±20% of the initial value. | 損失角の正接<br>Dissipation Factor | 規格値の 200% 以下<br>Not more than 200% of the specified value. | 漏れ電流<br>Leakage Current | 規格値以下<br>Not more than the specified value. |                   |    |             |               |       |      |                   |      |      |      |      |      |      |  |
| 静電容量変化率<br>Capacitance Change  | 初期値の ±20% 以内<br>Within ±20% of the initial value.  |             |                               |   |                              |  |                         |   |                   |    |             |               |       |      |                   |      |      |      |      |      |      |  |
| 損失角の正接<br>Dissipation Factor   | 規格値の 200% 以下<br>Not more than 200% of the specified value.   |             |                               |   |                              |  |                         |   |                   |    |             |               |       |      |                   |      |      |      |      |      |      |  |
| 漏れ電流<br>Leakage Current  | 規格値以下<br>Not more than the specified value.  |             |                               |   |                              |  |                         |   |                   |    |             |               |       |      |                   |      |      |      |      |      |      |  |
| 低温特性<br>Low Temperature Stability<br>(インピーダンス比)<br>Impedance Ratio (MAX) | <table border="1"> <thead> <tr> <th>定格電圧 (Vdc)<br/>Rated Voltage</th> <th>10~<br/>100</th> <th>160~<br/>250</th> <th>400</th> <th>420~<br/>450</th> <th>(120Hz)</th> </tr> </thead> <tbody> <tr> <td>Z(-25°C)/Z(+20°C)</td> <td>3</td> <td>4</td> <td>8</td> <td>12</td> <td></td> </tr> <tr> <td>Z(-40°C)/Z(+20°C)</td> <td>12</td> <td>12</td> <td>-</td> <td>-</td> <td></td> </tr> </tbody> </table> |             | 定格電圧 (Vdc)<br>Rated Voltage   | 10~<br>100  | 160~<br>250                  | 400  | 420~<br>450             | (120Hz)                                     | Z(-25°C)/Z(+20°C) | 3  | 4           | 8             | 12    |      | Z(-40°C)/Z(+20°C) | 12   | 12   | -    | -    |      |      |  |
| 定格電圧 (Vdc)<br>Rated Voltage  | 10~<br>100   | 160~<br>250 | 400                           | 420~<br>450                                       | (120Hz)                      |  |                         |   |                   |    |             |               |       |      |                   |      |      |      |      |      |      |  |
| Z(-25°C)/Z(+20°C)  | 3  | 4           | 8                             | 12  |                              |  |                         |   |                   |    |             |               |       |      |                   |      |      |      |      |      |      |  |
| Z(-40°C)/Z(+20°C)  | 12   | 12          | -                             | -   |                              |  |                         |   |                   |    |             |               |       |      |                   |      |      |      |      |      |      |  |

◆呼称方法 / PART NUMBER

USG  M  SN D x L  
 定格電圧 シリーズ名 静電容量 静電容量許容差 副記号 端子記号 ケースサイズ  
 Rated Voltage Series Capacitance Capacitance Tolerance Option Terminal Code Case Size

◆リップル電流補正係数 /  
MULTIPLIER FOR RIPPLE CURRENT

| 周波数 (Hz)<br>Frequency | 60<br>(50) | 120<br>(100) | 300  | 500  | 1k   | 10k ≤ |
|-----------------------|------------|--------------|------|------|------|-------|
| 10~<br>100Vdc         | 0.90       | 1.00         | 1.03 | 1.05 | 1.10 | 1.15  |
| 160~<br>250Vdc        | 0.80       | 1.00         | 1.15 | 1.20 | 1.30 | 1.50  |
| 400~<br>450Vdc        | 0.80       | 1.00         | 1.15 | 1.20 | 1.25 | 1.40  |

◆副記号 / OPTION

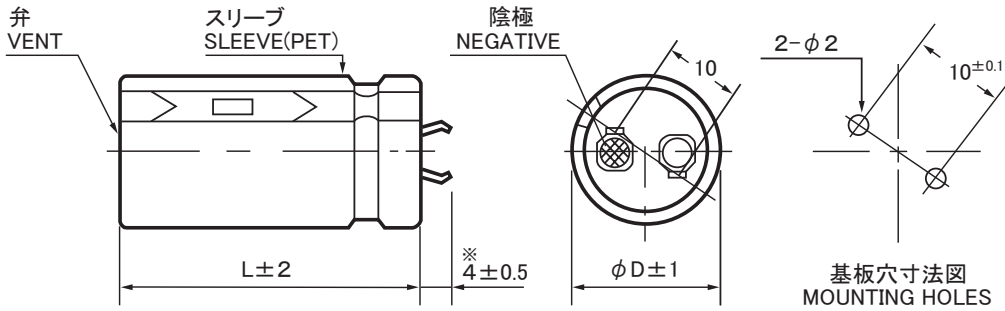
EFC : PET スリーブ、底板なし  
PET Sleeve without plate

◆寸法図/DIMENSIONS

●SN[4(3.5)mm]端子タイプ  
SN[4(3.5)mm]terminal type

端子記号 : SN(錫メッキ)  
Terminal code : SN(Tin plating)

(mm)



※但しφ35は3.5±0.5  
For φ35, 3.5±0.5

◆標準品一覧表/STANDARD SIZE

| Cap.<br>(μF) | 10Vdc |      |       |      |       | 16Vdc |       |       |       |       |       |       |      |       |      |       |      |
|--------------|-------|------|-------|------|-------|-------|-------|-------|-------|-------|-------|-------|------|-------|------|-------|------|
|              | φ20   | φ22  | φ25   | φ30  | φ35   | φ20   | φ22   | φ25   | φ30   | φ35   |       |       |      |       |      |       |      |
| 8200         |       |      |       |      |       | 20×25 | 2.56  |       |       |       |       |       |      |       |      |       |      |
| 10000        | 20×25 | 2.22 |       |      |       | 20×30 | 2.85  | 22×25 | 2.85  |       |       |       |      |       |      |       |      |
| 12000        | 20×30 | 2.44 | 22×25 | 2.41 |       | 20×35 | 3.20  | 22×30 | 3.20  |       |       |       |      |       |      |       |      |
| 15000        | 20×35 | 2.90 | 22×30 | 2.88 | 25×25 | 2.88  |       | 20×40 | 3.70  | 22×35 | 3.70  | 25×25 | 3.70 |       |      |       |      |
| 18000        | 20×40 | 3.31 | 22×35 | 3.22 | 25×30 | 3.08  |       |       | 22×40 | 3.98  | 25×30 | 3.98  |      |       |      |       |      |
| 22000        |       |      | 22×40 | 3.79 | 25×30 | 3.66  | 30×25 | 3.58  |       | 22×45 | 4.52  | 25×35 | 4.52 | 30×25 | 4.52 |       |      |
| 27000        |       |      | 22×45 | 4.04 | 25×35 | 4.04  | 30×30 | 3.99  |       | 22×50 | 4.98  | 25×40 | 4.98 | 30×30 | 4.98 |       |      |
| 33000        |       |      | 22×50 | 4.58 | 25×40 | 4.56  | 30×30 | 4.58  |       |       |       | 25×45 | 5.49 | 30×35 | 5.49 | 35×30 | 5.49 |
| 39000        |       |      |       |      | 25×45 | 5.29  | 30×35 | 5.21  | 35×30 | 5.05  |       | 25×50 | 6.11 | 30×40 | 6.11 | 35×35 | 6.11 |
| 47000        |       |      |       |      | 25×50 | 5.78  | 30×40 | 5.78  | 35×35 | 5.55  |       |       |      | 30×45 | 6.80 | 35×35 | 6.80 |
| 56000        |       |      |       |      |       | 30×45 | 6.59  | 35×35 | 6.40  |       |       |       |      | 30×50 | 7.62 | 35×40 | 7.62 |
| 68000        |       |      |       |      |       | 30×50 | 7.50  | 35×40 | 7.48  |       |       |       |      |       |      | 35×45 | 8.45 |
| 82000        |       |      |       |      |       |       |       | 35×50 | 8.50  |       |       |       |      |       |      | 35×50 | 9.14 |

| Cap.<br>(μF) | 25Vdc |      |       |      |       | 35Vdc |       |       |       |       |       |       |       |       |       |      |
|--------------|-------|------|-------|------|-------|-------|-------|-------|-------|-------|-------|-------|-------|-------|-------|------|
|              | φ20   | φ22  | φ25   | φ30  | φ35   | φ20   | φ22   | φ25   | φ30   | φ35   |       |       |       |       |       |      |
| 3300         |       |      |       |      |       | 20×25 | 2.14  |       |       |       |       |       |       |       |       |      |
| 3900         |       |      |       |      |       | 20×30 | 2.28  |       |       |       |       |       |       |       |       |      |
| 4700         |       |      |       |      |       | 20×35 | 2.46  | 22×25 | 2.46  |       |       |       |       |       |       |      |
| 5600         | 20×25 | 2.33 |       |      |       | 20×40 | 2.79  | 22×30 | 2.79  | 25×25 | 2.79  |       |       |       |       |      |
| 6800         | 20×30 | 2.56 | 22×25 | 2.56 |       |       |       | 22×35 | 2.89  | 25×30 | 2.89  |       |       |       |       |      |
| 8200         | 20×35 | 2.91 | 22×30 | 2.91 |       |       |       | 22×40 | 3.47  | 25×30 | 3.47  | 30×25 | 3.47  |       |       |      |
| 10000        | 20×40 | 3.18 | 22×35 | 3.18 | 25×25 | 3.18  |       | 22×45 | 3.59  | 25×35 | 3.59  | 30×30 | 3.59  |       |       |      |
| 12000        |       |      | 22×40 | 3.53 | 25×30 | 3.53  |       | 22×50 | 4.51  | 25×40 | 4.51  | 30×30 | 4.51  |       |       |      |
| 15000        |       |      | 22×45 | 4.08 | 25×35 | 4.08  | 30×25 | 4.08  |       |       | 25×45 | 4.80  | 30×35 | 4.80  | 35×30 | 4.80 |
| 18000        |       |      | 22×50 | 4.68 | 25×40 | 4.68  | 30×30 | 4.68  |       |       |       | 30×40 | 5.70  | 35×35 | 5.70  |      |
| 22000        |       |      |       |      | 25×45 | 5.19  | 30×35 | 5.19  | 35×30 | 5.19  |       |       | 30×45 | 6.38  | 35×40 | 6.38 |
| 27000        |       |      |       |      | 25×50 | 6.02  | 30×40 | 6.02  | 35×35 | 6.02  |       |       |       |       | 35×45 | 6.90 |
| 33000        |       |      |       |      |       | 30×45 | 6.75  | 35×40 | 6.75  |       |       |       |       | 35×50 | 7.49  |      |
| 39000        |       |      |       |      |       | 30×50 | 7.56  | 35×45 | 7.56  |       |       |       |       |       |       |      |
| 47000        |       |      |       |      |       |       |       | 35×50 | 8.30  |       |       |       |       |       |       |      |

| Cap.<br>(μF) | 50Vdc |      |       |      |       | 63Vdc |       |       |       |       |      |       |      |       |      |
|--------------|-------|------|-------|------|-------|-------|-------|-------|-------|-------|------|-------|------|-------|------|
|              | φ20   | φ22  | φ25   | φ30  | φ35   | φ20   | φ22   | φ25   | φ30   | φ35   |      |       |      |       |      |
| 1500         |       |      |       |      |       | 20×25 | 1.69  |       |       |       |      |       |      |       |      |
| 1800         |       |      |       |      |       | 20×30 | 2.04  | 22×25 | 2.04  |       |      |       |      |       |      |
| 2200         | 20×25 | 2.07 |       |      |       | 20×35 | 2.40  | 22×30 | 2.40  |       |      |       |      |       |      |
| 2700         | 20×30 | 2.21 | 22×25 | 2.21 |       | 20×40 | 2.52  | 22×35 | 2.52  | 25×25 | 2.52 |       |      |       |      |
| 3300         | 20×35 | 2.41 | 22×30 | 2.41 |       |       |       | 22×40 | 2.69  | 25×30 | 2.69 |       |      |       |      |
| 3900         | 20×40 | 2.72 | 22×30 | 2.72 | 25×25 | 2.72  |       | 22×45 | 3.10  | 25×35 | 3.10 | 30×25 | 3.10 |       |      |
| 4700         |       |      | 22×35 | 3.01 | 25×30 | 3.01  |       | 22×50 | 3.49  | 25×40 | 3.49 | 30×30 | 3.49 |       |      |
| 5600         |       |      | 22×40 | 3.43 | 25×35 | 3.43  | 30×25 | 3.43  |       | 25×45 | 3.81 | 30×35 | 3.81 |       |      |
| 6800         |       |      | 22×45 | 3.94 | 25×35 | 3.94  | 30×30 | 3.94  |       | 25×50 | 4.41 | 30×40 | 4.41 | 35×30 | 4.41 |
| 8200         |       |      |       |      | 25×40 | 4.37  | 30×35 | 4.37  |       |       |      | 30×45 | 4.90 | 35×35 | 4.90 |
| 10000        |       |      |       |      | 25×50 | 5.02  | 30×40 | 5.02  | 35×30 | 5.02  |      | 30×50 | 5.49 | 35×40 | 5.49 |
| 12000        |       |      |       |      |       | 30×45 | 5.60  | 35×35 | 5.60  |       |      |       |      | 35×45 | 6.30 |
| 15000        |       |      |       |      |       | 30×50 | 6.44  | 35×40 | 6.44  |       |      |       |      |       |      |
| 18000        |       |      |       |      |       |       |       | 35×45 | 6.71  |       |      |       |      |       |      |

ケースサイズ Case Size φD×L(mm) →  
リップル電流 Ripple Current (A.r.m.s./120Hz,85°C) →

◆標準品一覧表 / STANDARD SIZE

| Cap.<br>( $\mu$ F) | 80Vdc     |           |           |           |           | 100Vdc    |           |           |           |           |      |       |      |       |      |
|--------------------|-----------|-----------|-----------|-----------|-----------|-----------|-----------|-----------|-----------|-----------|------|-------|------|-------|------|
|                    | $\phi$ 20 | $\phi$ 22 | $\phi$ 25 | $\phi$ 30 | $\phi$ 35 | $\phi$ 20 | $\phi$ 22 | $\phi$ 25 | $\phi$ 30 | $\phi$ 35 |      |       |      |       |      |
| 680                |           |           |           |           |           | 20×25     | 1.66      |           |           |           |      |       |      |       |      |
| 820                |           |           |           |           |           | 20×30     | 1.86      | 22×25     | 1.86      |           |      |       |      |       |      |
| 1000               | 20×25     | 1.56      |           |           |           | 20×30     | 2.02      | 22×30     | 2.02      |           |      |       |      |       |      |
| 1200               | 20×30     | 1.80      | 22×25     | 1.80      |           | 20×35     | 2.12      | 22×30     | 2.12      | 25×25     | 2.12 |       |      |       |      |
| 1500               | 20×30     | 2.10      | 22×30     | 2.10      |           | 20×40     | 2.45      | 22×35     | 2.45      | 25×30     | 2.45 |       |      |       |      |
| 1800               | 20×35     | 2.30      | 22×30     | 2.30      | 25×25     | 2.30      |           | 22×40     | 2.77      | 25×30     | 2.77 | 30×25 | 2.77 |       |      |
| 2200               | 20×40     | 2.53      | 22×35     | 2.53      | 25×30     | 2.53      |           | 22×45     | 3.12      | 25×35     | 3.12 | 30×30 | 3.12 |       |      |
| 2700               |           |           | 22×40     | 2.93      | 25×35     | 2.93      | 30×25     | 2.93      |           | 25×40     | 3.61 | 30×30 | 3.61 |       |      |
| 3300               |           |           | 22×45     | 3.25      | 25×35     | 3.25      | 30×30     | 3.25      |           | 25×50     | 4.06 | 30×35 | 4.06 | 35×30 | 4.06 |
| 3900               |           |           |           |           | 25×40     | 3.62      | 30×35     | 3.62      |           |           |      | 30×40 | 4.60 | 35×35 | 4.60 |
| 4700               |           |           |           |           | 25×45     | 4.28      | 30×40     | 4.28      | 35×30     | 4.28      |      | 30×45 | 5.13 | 35×40 | 5.13 |
| 5600               |           |           |           |           |           |           | 30×45     | 4.55      | 35×35     | 4.55      |      |       |      | 35×45 | 5.75 |
| 6800               |           |           |           |           |           |           | 30×45     | 5.83      | 35×40     | 5.83      |      |       |      | 35×50 | 6.01 |
| 8200               |           |           |           |           |           |           |           |           | 35×45     | 6.40      |      |       |      |       |      |
| 10000              |           |           |           |           |           |           |           |           | 35×50     | 7.03      |      |       |      |       |      |

| Cap.<br>( $\mu$ F) | 160Vdc    |           |           |           |           | 180Vdc    |           |           |           |           |       |       |       |       |       |       |      |
|--------------------|-----------|-----------|-----------|-----------|-----------|-----------|-----------|-----------|-----------|-----------|-------|-------|-------|-------|-------|-------|------|
|                    | $\phi$ 20 | $\phi$ 22 | $\phi$ 25 | $\phi$ 30 | $\phi$ 35 | $\phi$ 20 | $\phi$ 22 | $\phi$ 25 | $\phi$ 30 | $\phi$ 35 |       |       |       |       |       |       |      |
| 390                | 20×25     | 1.19      |           |           |           | 20×25     | 1.84      |           |           |           |       |       |       |       |       |       |      |
| 470                | 20×30     | 1.76      | 22×25     | 1.76      |           | 20×30     | 2.08      | 22×25     | 2.08      |           |       |       |       |       |       |       |      |
| 560                | 20×30     | 2.25      | 22×25     | 2.25      |           | 20×35     | 2.25      | 22×30     | 2.25      |           |       |       |       |       |       |       |      |
| 680                | 20×35     | 2.50      | 22×30     | 2.50      | 25×25     | 2.50      |           | 20×40     | 2.50      | 22×35     | 2.50  | 25×25 | 2.50  |       |       |       |      |
| 820                | 20×40     | 2.75      | 22×35     | 2.75      | 25×30     | 2.75      |           | 20×45     | 2.75      | 22×40     | 2.75  | 25×30 | 2.75  |       |       |       |      |
| 1000               |           |           | 22×40     | 3.00      | 25×30     | 3.00      | 30×25     | 3.00      |           | 22×45     | 3.00  | 25×35 | 3.00  | 30×25 | 3.00  |       |      |
| 1200               |           |           | 22×45     | 3.25      | 25×35     | 3.25      | 30×30     | 3.25      |           | 22×50     | 3.31  | 25×40 | 3.31  | 30×30 | 3.31  | 35×25 | 3.31 |
| 1500               |           |           |           |           | 25×45     | 3.73      | 30×35     | 3.73      |           |           | 25×50 | 3.83  | 30×35 | 3.83  | 35×30 | 3.83  |      |
| 1800               |           |           |           |           | 25×50     | 4.20      | 30×35     | 4.20      | 35×30     | 4.20      |       |       |       | 30×40 | 4.32  | 35×35 | 4.32 |
| 2200               |           |           |           |           |           |           | 30×45     | 4.78      | 35×35     | 4.78      |       |       |       | 30×50 | 4.92  | 35×40 | 4.92 |
| 2700               |           |           |           |           |           |           | 30×50     | 5.45      | 35×40     | 5.45      |       |       |       |       | 35×45 | 5.52  |      |
| 3300               |           |           |           |           |           |           |           |           | 35×45     | 5.75      |       |       |       |       |       |       |      |

| Cap.<br>( $\mu$ F) | 200Vdc    |           |           |           |           | 220Vdc    |           |           |           |           |      |       |      |       |       |       |      |
|--------------------|-----------|-----------|-----------|-----------|-----------|-----------|-----------|-----------|-----------|-----------|------|-------|------|-------|-------|-------|------|
|                    | $\phi$ 20 | $\phi$ 22 | $\phi$ 25 | $\phi$ 30 | $\phi$ 35 | $\phi$ 20 | $\phi$ 22 | $\phi$ 25 | $\phi$ 30 | $\phi$ 35 |      |       |      |       |       |       |      |
| 270                |           |           |           |           |           | 20×25     | 1.42      |           |           |           |      |       |      |       |       |       |      |
| 330                | 20×25     | 1.44      |           |           |           | 20×30     | 1.58      | 22×25     | 1.58      |           |      |       |      |       |       |       |      |
| 390                | 20×30     | 1.68      | 22×25     | 1.68      |           | 20×35     | 1.75      | 22×30     | 1.75      |           |      |       |      |       |       |       |      |
| 470                | 20×35     | 1.93      | 22×30     | 1.93      | 25×25     | 1.93      |           | 20×35     | 1.99      | 22×30     | 1.99 | 25×25 | 1.99 |       |       |       |      |
| 560                | 20×35     | 2.43      | 22×30     | 2.43      | 25×25     | 2.43      |           | 20×40     | 2.28      | 22×35     | 2.28 | 25×30 | 2.28 |       |       |       |      |
| 680                | 20×40     | 2.68      | 22×35     | 2.68      | 25×30     | 2.68      | 30×25     | 2.68      |           | 22×40     | 2.46 | 25×30 | 2.46 | 30×25 | 2.46  |       |      |
| 820                |           |           | 22×40     | 2.93      | 25×30     | 2.93      | 30×25     | 2.93      |           | 22×45     | 2.81 | 25×35 | 2.81 | 30×30 | 2.81  |       |      |
| 1000               |           |           | 22×45     | 3.25      | 25×35     | 3.25      | 30×30     | 3.25      | 35×25     | 3.25      |      | 25×45 | 3.29 | 30×30 | 3.29  |       |      |
| 1200               |           |           |           |           | 25×45     | 3.50      | 30×35     | 3.50      | 35×30     | 3.50      |      | 25×50 | 3.60 | 30×35 | 3.60  | 35×30 | 3.60 |
| 1500               |           |           |           |           | 25×50     | 3.87      | 30×40     | 3.87      | 35×30     | 3.87      |      |       |      | 30×45 | 3.92  | 35×35 | 3.92 |
| 1800               |           |           |           |           |           |           | 30×45     | 4.32      | 35×35     | 4.32      |      |       |      | 30×50 | 4.30  | 35×40 | 4.30 |
| 2200               |           |           |           |           |           |           | 30×50     | 4.92      | 35×40     | 4.92      |      |       |      |       | 35×50 | 4.95  |      |
| 2700               |           |           |           |           |           |           |           |           | 35×50     | 5.45      |      |       |      |       |       |       |      |

ケースサイズ Case Size  $\phi$  D × L (mm)  $\rightarrow$   
 リプル電流 Ripple Current (A.r.m.s./120Hz,85°C)  $\rightarrow$

◆標準品一覧表／STANDARD SIZE

| Cap.<br>( $\mu$ F) | 250Vdc    |           |           |           |           |           |           |           |           |           | 400Vdc    |           |           |           |           |      |       |      |       |      |
|--------------------|-----------|-----------|-----------|-----------|-----------|-----------|-----------|-----------|-----------|-----------|-----------|-----------|-----------|-----------|-----------|------|-------|------|-------|------|
|                    | $\phi$ 20 | $\phi$ 22 | $\phi$ 25 | $\phi$ 30 | $\phi$ 35 | $\phi$ 20 | $\phi$ 22 | $\phi$ 25 | $\phi$ 30 | $\phi$ 35 | $\phi$ 20 | $\phi$ 22 | $\phi$ 25 | $\phi$ 30 | $\phi$ 35 |      |       |      |       |      |
| 82                 |           |           |           |           |           |           |           |           |           |           | 20×25     | 0.80      |           |           |           |      |       |      |       |      |
| 100                |           |           |           |           |           |           |           |           |           |           | 20×30     | 0.94      | 22×25     | 0.94      |           |      |       |      |       |      |
| 120                |           |           |           |           |           |           |           |           |           |           | 20×30     | 1.08      | 22×25     | 1.08      |           |      |       |      |       |      |
| 150                |           |           |           |           |           |           |           |           |           |           | 20×35     | 1.21      | 22×30     | 1.21      | 25×25     | 1.21 |       |      |       |      |
| 180                |           |           |           |           |           |           |           |           |           |           | 20×40     | 1.45      | 22×35     | 1.45      | 25×25     | 1.45 |       |      |       |      |
| 220                | 20×25     | 1.23      |           |           |           |           |           |           |           |           |           |           | 22×40     | 1.58      | 25×30     | 1.58 | 30×25 | 1.58 |       |      |
| 270                | 20×30     | 1.31      | 22×25     | 1.31      |           |           |           |           |           |           |           |           | 22×45     | 1.67      | 25×35     | 1.67 | 30×25 | 1.67 |       |      |
| 330                | 20×30     | 1.75      | 22×25     | 1.75      |           |           |           |           |           |           |           |           | 22×50     | 1.90      | 25×40     | 1.90 | 30×30 | 1.90 | 35×25 | 1.90 |
| 390                | 20×35     | 1.91      | 22×30     | 1.91      | 25×25     | 1.91      |           |           |           |           |           |           | 25×45     | 2.13      | 30×35     | 2.13 | 35×30 | 2.13 |       |      |
| 470                | 20×40     | 2.11      | 22×35     | 2.11      | 25×25     | 2.11      |           |           |           |           |           |           | 25×50     | 2.39      | 30×40     | 2.39 | 35×30 | 2.39 |       |      |
| 560                |           |           | 22×40     | 2.25      | 25×30     | 2.25      | 30×25     | 2.25      |           |           |           |           |           |           | 30×45     | 2.69 | 35×35 | 2.69 |       |      |
| 680                |           |           | 22×45     | 2.50      | 25×35     | 2.50      | 30×30     | 2.50      |           |           |           |           |           |           |           |      | 35×40 | 2.96 |       |      |
| 820                |           |           |           |           | 25×40     | 2.77      | 30×30     | 2.77      | 35×25     | 2.77      |           |           |           |           |           |      | 35×50 | 3.25 |       |      |
| 1000               |           |           |           |           | 25×45     | 3.32      | 30×35     | 3.32      | 35×30     | 3.32      |           |           |           |           |           |      |       |      |       |      |
| 1200               |           |           |           |           |           |           | 30×40     | 3.84      | 35×35     | 3.84      |           |           |           |           |           |      |       |      |       |      |
| 1500               |           |           |           |           |           |           | 30×50     | 4.25      | 35×40     | 4.25      |           |           |           |           |           |      |       |      |       |      |
| 1800               |           |           |           |           |           |           |           |           | 35×45     | 4.55      |           |           |           |           |           |      |       |      |       |      |

| Cap.<br>( $\mu$ F) | 420Vdc    |           |           |           |           |           |           |           |           |           | 450Vdc    |           |           |           |           |      |       |      |       |      |
|--------------------|-----------|-----------|-----------|-----------|-----------|-----------|-----------|-----------|-----------|-----------|-----------|-----------|-----------|-----------|-----------|------|-------|------|-------|------|
|                    | $\phi$ 20 | $\phi$ 22 | $\phi$ 25 | $\phi$ 30 | $\phi$ 35 | $\phi$ 20 | $\phi$ 22 | $\phi$ 25 | $\phi$ 30 | $\phi$ 35 | $\phi$ 20 | $\phi$ 22 | $\phi$ 25 | $\phi$ 30 | $\phi$ 35 |      |       |      |       |      |
| 68                 |           |           |           |           |           |           |           |           |           |           | 20×25     | 0.66      |           |           |           |      |       |      |       |      |
| 82                 | 20×25     | 0.83      |           |           |           |           |           |           |           |           | 20×25     | 0.83      |           |           |           |      |       |      |       |      |
| 100                | 20×30     | 0.97      | 22×25     | 0.97      |           |           |           |           |           |           | 20×30     | 0.93      | 22×25     | 0.93      |           |      |       |      |       |      |
| 120                | 20×30     | 1.08      | 22×25     | 1.08      |           |           |           |           |           |           | 20×35     | 1.04      | 22×30     | 1.04      | 25×25     | 1.04 |       |      |       |      |
| 150                | 20×35     | 1.30      | 22×30     | 1.30      | 25×25     | 1.30      |           |           |           |           | 20×40     | 1.29      | 22×35     | 1.29      | 25×25     | 1.29 |       |      |       |      |
| 180                | 20×40     | 1.48      | 22×35     | 1.48      | 25×30     | 1.48      |           |           |           |           |           |           | 22×40     | 1.40      | 25×30     | 1.40 | 30×25 | 1.40 |       |      |
| 220                |           |           | 22×40     | 1.65      | 25×35     | 1.65      | 30×25     | 1.65      |           |           |           |           | 22×45     | 1.66      | 25×35     | 1.66 | 30×25 | 1.66 |       |      |
| 270                |           |           | 22×50     | 1.94      | 25×35     | 1.94      | 30×30     | 1.94      |           |           |           |           | 22×50     | 1.81      | 25×40     | 1.81 | 30×30 | 1.81 | 35×25 | 1.81 |
| 330                |           |           |           |           | 25×45     | 2.17      | 30×35     | 2.17      | 35×30     | 2.17      |           |           |           |           | 25×45     | 2.10 | 30×35 | 2.10 | 35×30 | 2.10 |
| 390                |           |           |           |           | 25×50     | 2.27      | 30×35     | 2.27      | 35×30     | 2.27      |           |           |           |           |           |      | 30×40 | 2.32 | 35×35 | 2.32 |
| 470                |           |           |           |           |           |           | 30×40     | 2.61      | 35×35     | 2.61      |           |           |           |           |           |      | 30×45 | 2.66 | 35×40 | 2.66 |
| 560                |           |           |           |           |           |           | 30×50     | 2.82      | 35×40     | 2.82      |           |           |           |           |           |      |       |      | 35×40 | 2.82 |
| 680                |           |           |           |           |           |           |           |           | 35×45     | 3.11      |           |           |           |           |           |      |       |      | 35×50 | 3.00 |

ケースサイズ Case Size  $\phi$  D × L(mm)  $\longrightarrow$   $\uparrow$   
 リプル電流 Ripple Current (A.r.m.s./120Hz,85°C)  $\longrightarrow$   $\uparrow$