

MXC シリーズ  
SÉRIES

105°C 標準品  
105°C Standard

・105°C 3000時間品。  
Load Life : 105°C 3000 hours.



◆規格表 / SPECIFICATIONS

| 項目 Items   | 特 性 Characteristics  |            |                               |   |                              |  |                         |   |         |         |                  |         |         |               |      |      |      |      |      |      |      |      |      |      |      |  |
|--|--|------------|-------------------------------|---|------------------------------|--|-------------------------|---|---------|---------|------------------|---------|---------|---------------|------|------|------|------|------|------|------|------|------|------|------|--|
| カテゴリ温度範囲<br>Category Temperature Range                                   | -40~+105°C   | -25~+105°C |                               |   |                              |  |                         |   |         |         |                  |         |         |               |      |      |      |      |      |      |      |      |      |      |      |  |
| 定格電圧範囲<br>Rated Voltage Range  | 10~250Vdc  | 315~450Vdc |                               |   |                              |  |                         |   |         |         |                  |         |         |               |      |      |      |      |      |      |      |      |      |      |      |  |
| 静電容量許容差<br>Capacitance Tolerance   | ±20% (20°C, 120Hz)   |            |                               |   |                              |  |                         |   |         |         |                  |         |         |               |      |      |      |      |      |      |      |      |      |      |      |  |
| 漏れ電流<br>Leakage Current (MAX)  | $I=3\sqrt{CV}$ (定格電圧印加5分後)<br>$I=3\sqrt{CV}$ (After 5 minutes application of rated voltage)<br>I=漏れ電流(μA) Leakage Current      C=静電容量(μF) Capacitance      V=定格電圧(Vdc) Rated Voltage   |            |                               |   |                              |  |                         |   |         |         |                  |         |         |               |      |      |      |      |      |      |      |      |      |      |      |  |
| 損失角の正接 (tanδ)<br>Dissipation Factor (MAX)                                | <table border="1"> <thead> <tr> <th>定格電圧(Vdc)<br/>Rated Voltage</th> <th>10</th> <th>16</th> <th>25</th> <th>35</th> <th>50</th> <th>63</th> <th>80</th> <th>100</th> <th>160~400</th> <th>420~450</th> <th>(20°C, 120Hz)</th> </tr> </thead> <tbody> <tr> <td>tanδ</td> <td>0.55</td> <td>0.50</td> <td>0.45</td> <td>0.40</td> <td>0.35</td> <td>0.30</td> <td>0.25</td> <td>0.20</td> <td>0.15</td> <td>0.20</td> <td></td> </tr> </tbody> </table> |            | 定格電圧(Vdc)<br>Rated Voltage    | 10  | 16                           | 25   | 35                      | 50  | 63      | 80      | 100              | 160~400 | 420~450 | (20°C, 120Hz) | tanδ | 0.55 | 0.50 | 0.45 | 0.40 | 0.35 | 0.30 | 0.25 | 0.20 | 0.15 | 0.20 |  |
| 定格電圧(Vdc)<br>Rated Voltage   | 10   | 16         | 25                            | 35  | 50                           | 63   | 80                      | 100   | 160~400 | 420~450 | (20°C, 120Hz)    |         |         |               |      |      |      |      |      |      |      |      |      |      |      |  |
| tanδ   | 0.55   | 0.50       | 0.45                          | 0.40  | 0.35                         | 0.30   | 0.25                    | 0.20  | 0.15    | 0.20    |                  |         |         |               |      |      |      |      |      |      |      |      |      |      |      |  |
| 耐 久 性<br>Endurance   | 105°C中で3000時間定格電圧(リップル重畳)印加後、下記項目を満足すること。<br>After applying rated voltage with rated ripple current for 3000 hours at 105°C, the capacitors shall meet the following requirements.   |            |                               |   |                              |  |                         |   |         |         |                  |         |         |               |      |      |      |      |      |      |      |      |      |      |      |  |
|  | <table border="1"> <tbody> <tr> <td>静電容量変化率<br/>Capacitance Change</td> <td>初期値の±20%以内<br/>Within ±20% of the initial value.</td> </tr> <tr> <td>損失角の正接<br/>Dissipation Factor</td> <td>規格値の200%以下<br/>Not more than 200% of the specified value.</td> </tr> <tr> <td>漏れ電流<br/>Leakage Current</td> <td>規格値以下<br/>Not more than the specified value.</td> </tr> </tbody> </table>  |            | 静電容量変化率<br>Capacitance Change | 初期値の±20%以内<br>Within ±20% of the initial value. | 損失角の正接<br>Dissipation Factor | 規格値の200%以下<br>Not more than 200% of the specified value. | 漏れ電流<br>Leakage Current | 規格値以下<br>Not more than the specified value. |         |         |                  |         |         |               |      |      |      |      |      |      |      |      |      |      |      |  |
| 静電容量変化率<br>Capacitance Change  | 初期値の±20%以内<br>Within ±20% of the initial value.  |            |                               |   |                              |  |                         |   |         |         |                  |         |         |               |      |      |      |      |      |      |      |      |      |      |      |  |
| 損失角の正接<br>Dissipation Factor   | 規格値の200%以下<br>Not more than 200% of the specified value.   |            |                               |   |                              |  |                         |   |         |         |                  |         |         |               |      |      |      |      |      |      |      |      |      |      |      |  |
| 漏れ電流<br>Leakage Current  | 規格値以下<br>Not more than the specified value.  |            |                               |   |                              |  |                         |   |         |         |                  |         |         |               |      |      |      |      |      |      |      |      |      |      |      |  |
| 低温特性<br>Low Temperature Stability<br>(インピーダンス比)<br>Impedance Ratio (MAX) | <table border="1"> <thead> <tr> <th>定格電圧(Vdc)<br/>Rated Voltage</th> <th>10~250</th> <th>315~450</th> <th>(120Hz)</th> </tr> </thead> <tbody> <tr> <td>Z(-25°C)/Z(20°C)</td> <td>3</td> <td>8</td> <td></td> </tr> <tr> <td>Z(-40°C)/Z(20°C)</td> <td>12</td> <td>-</td> <td></td> </tr> </tbody> </table>   |            | 定格電圧(Vdc)<br>Rated Voltage    | 10~250  | 315~450                      | (120Hz)  | Z(-25°C)/Z(20°C)        | 3   | 8       |         | Z(-40°C)/Z(20°C) | 12      | -       |               |      |      |      |      |      |      |      |      |      |      |      |  |
| 定格電圧(Vdc)<br>Rated Voltage   | 10~250   | 315~450    | (120Hz)                       |   |                              |  |                         |   |         |         |                  |         |         |               |      |      |      |      |      |      |      |      |      |      |      |  |
| Z(-25°C)/Z(20°C)   | 3  | 8          |                               |   |                              |  |                         |   |         |         |                  |         |         |               |      |      |      |      |      |      |      |      |      |      |      |  |
| Z(-40°C)/Z(20°C)   | 12   | -          |                               |   |                              |  |                         |   |         |         |                  |         |         |               |      |      |      |      |      |      |      |      |      |      |      |  |

◆リップル電流補正係数 / MULTIPLIER FOR RIPPLE CURRENT

| 周波数(Hz)<br>Frequency | 60(50) | 120(100) | 300  | 500  | 1k   | 10k≤ |
|----------------------|--------|----------|------|------|------|------|
| 10~100Vdc            | 0.90   | 1.00     | 1.03 | 1.05 | 1.10 | 1.15 |
| 160~250Vdc           | 0.80   | 1.00     | 1.15 | 1.20 | 1.30 | 1.50 |
| 315~450Vdc           | 0.80   | 1.00     | 1.15 | 1.20 | 1.25 | 1.40 |

◆呼称方法 / PART NUMBER

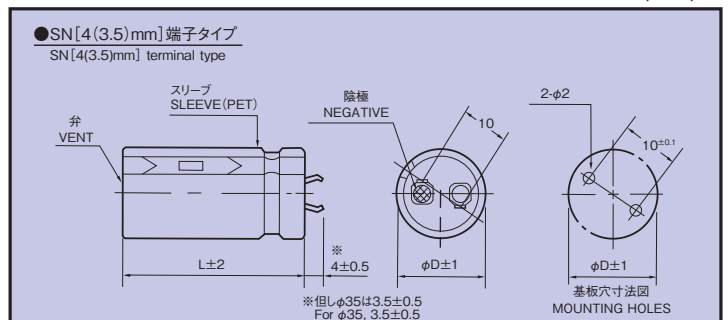
□□□ MXC      □□□□□ M      □□□ SN      DXL  
 定格電圧      シリーズ名      静電容量      静電容量許容差      副記号      端子記号      ケースサイズ  
 Rated Voltage      Series      Capacitance      Capacitance Tolerance      Option      Terminal Code      Case Size

◆副記号 / OPTION

| 副記号 Code  |
|---|
| PETスリーブ、底板なし      PET Sleeve without plate      EFC |

◆寸法図 / DIMENSIONS

(mm)





# 基板自立形アルミニウム電解コンデンサ

## SNAP-IN ALUMINUM ELECTROLYTIC CAPACITORS

MXC

### ◆標準品一覧表 STANDARD SIZE

| Cap<br>( $\mu$ F) | Vdc<br>$\phi$ D | 10         |            |            |            |            | 16         |            |            |            |            |  |
|-------------------|-----------------|------------|------------|------------|------------|------------|------------|------------|------------|------------|------------|--|
|                   |                 | $\phi$ 20  | $\phi$ 22  | $\phi$ 25  | $\phi$ 30  | $\phi$ 35  | $\phi$ 20  | $\phi$ 22  | $\phi$ 25  | $\phi$ 30  | $\phi$ 35  |  |
| 6800              |                 | 20×25:1.31 |            |            |            |            | 20×25:1.80 |            |            |            |            |  |
| 8200              |                 | 20×30:1.59 |            |            |            |            | 20×30:2.08 | 22×25:2.08 |            |            |            |  |
| 10000             |                 | 20×30:1.88 | 22×25:1.77 |            |            |            | 20×35:2.15 | 22×30:2.15 |            |            |            |  |
| 12000             |                 | 20×35:2.18 | 22×30:2.10 | 25×25:1.94 |            |            | 20×40:2.31 | 22×30:2.31 | 25×25:2.31 |            |            |  |
| 15000             |                 | 20×40:2.27 | 22×35:2.23 | 25×30:2.10 |            |            |            | 22×35:2.68 | 25×30:2.68 |            |            |  |
| 18000             |                 |            | 22×40:2.41 | 25×30:2.34 | 30×25:2.25 |            |            | 22×40:3.20 | 25×30:3.20 | 30×25:3.20 |            |  |
| 22000             |                 |            | 22×45:2.58 | 25×35:2.54 | 30×30:2.50 |            |            | 22×45:3.36 | 25×35:3.36 | 30×30:3.36 |            |  |
| 27000             |                 |            | 22×50:3.17 | 25×40:3.07 | 30×30:2.95 |            |            | 22×50:3.85 | 25×40:3.85 | 30×30:3.85 |            |  |
| 33000             |                 |            |            | 25×45:3.39 | 30×35:3.33 | 35×30:3.21 |            |            | 25×45:4.30 | 30×35:4.30 | 35×30:4.30 |  |
| 39000             |                 |            |            |            | 30×40:3.70 | 35×35:3.68 |            |            | 25×50:4.81 | 30×40:4.81 | 35×35:4.81 |  |
| 47000             |                 |            |            |            | 30×45:4.22 | 35×40:4.16 |            |            |            | 30×45:5.53 | 35×40:5.53 |  |
| 56000             |                 |            |            |            |            | 35×45:5.00 |            |            |            | 30×50:6.00 | 35×45:6.00 |  |
| 68000             |                 |            |            |            |            |            |            |            |            |            | 35×50:6.40 |  |

| Cap<br>( $\mu$ F) | Vdc<br>$\phi$ D | 25         |            |            |            |            | 35         |            |            |            |            |  |
|-------------------|-----------------|------------|------------|------------|------------|------------|------------|------------|------------|------------|------------|--|
|                   |                 | $\phi$ 20  | $\phi$ 22  | $\phi$ 25  | $\phi$ 30  | $\phi$ 35  | $\phi$ 20  | $\phi$ 22  | $\phi$ 25  | $\phi$ 30  | $\phi$ 35  |  |
| 2700              |                 |            |            |            |            |            | 20×25:1.29 |            |            |            |            |  |
| 3300              |                 |            |            |            |            |            | 20×30:1.57 |            |            |            |            |  |
| 3900              |                 |            |            |            |            |            | 20×30:1.78 | 22×25:1.78 |            |            |            |  |
| 4700              |                 | 20×25:1.65 |            |            |            |            | 20×35:2.02 | 22×30:2.02 |            |            |            |  |
| 5600              |                 | 20×30:1.85 | 22×25:1.85 |            |            |            | 20×40:2.13 | 22×35:2.13 | 25×25:2.13 |            |            |  |
| 6800              |                 | 20×35:2.11 | 22×30:2.11 |            |            |            |            | 22×40:2.41 | 25×30:2.41 |            |            |  |
| 8200              |                 | 20×40:2.34 | 22×30:2.34 | 25×25:2.34 |            |            |            | 22×45:2.85 | 25×35:2.85 | 30×25:2.85 |            |  |
| 10000             |                 |            | 22×35:2.65 | 25×30:2.65 |            |            |            | 22×50:3.05 | 25×40:3.05 | 30×30:3.05 |            |  |
| 12000             |                 |            | 22×40:2.81 | 25×30:2.81 | 30×25:2.81 |            |            |            | 25×45:3.37 | 30×35:3.37 | 35×30:3.37 |  |
| 15000             |                 |            | 22×45:3.13 | 25×35:3.13 | 30×30:3.13 |            |            |            | 25×50:3.72 | 30×40:3.72 | 35×35:3.72 |  |
| 18000             |                 |            |            | 25×40:3.56 | 30×30:3.56 |            |            |            |            | 30×45:4.37 | 35×35:4.37 |  |
| 22000             |                 |            |            | 25×50:4.04 | 30×35:4.04 | 35×30:4.04 |            |            |            | 30×50:4.92 | 35×40:4.92 |  |
| 27000             |                 |            |            |            | 30×40:4.74 | 35×35:4.74 |            |            |            |            | 35×50:5.30 |  |
| 33000             |                 |            |            |            | 30×50:5.50 | 35×40:5.50 |            |            |            |            |            |  |
| 39000             |                 |            |            |            |            | 35×45:5.80 |            |            |            |            |            |  |
| 47000             |                 |            |            |            |            | 35×50:6.30 |            |            |            |            |            |  |

| Cap<br>( $\mu$ F) | Vdc<br>$\phi$ D | 50         |            |            |            |            | 63         |            |            |            |            |  |
|-------------------|-----------------|------------|------------|------------|------------|------------|------------|------------|------------|------------|------------|--|
|                   |                 | $\phi$ 20  | $\phi$ 22  | $\phi$ 25  | $\phi$ 30  | $\phi$ 35  | $\phi$ 20  | $\phi$ 22  | $\phi$ 25  | $\phi$ 30  | $\phi$ 35  |  |
| 1200              |                 |            |            |            |            |            | 20×25:1.20 |            |            |            |            |  |
| 1500              |                 |            |            |            |            |            | 20×30:1.47 | 22×25:1.47 |            |            |            |  |
| 1800              |                 | 20×25:1.39 |            |            |            |            | 20×35:1.58 | 22×30:1.58 |            |            |            |  |
| 2200              |                 | 20×30:1.60 | 22×25:1.60 |            |            |            | 20×40:1.82 | 22×35:1.82 | 25×25:1.82 |            |            |  |
| 2700              |                 | 20×35:1.73 | 22×30:1.73 | 25×25:1.73 |            |            |            | 22×35:2.11 | 25×30:2.11 |            |            |  |
| 3300              |                 | 20×40:1.97 | 22×35:1.97 | 25×30:1.97 |            |            |            | 22×45:2.33 | 25×35:2.33 | 30×25:2.33 |            |  |
| 3900              |                 |            | 22×40:2.22 | 25×30:2.22 |            |            |            | 22×50:2.55 | 25×40:2.55 | 30×30:2.55 |            |  |
| 4700              |                 |            | 22×45:2.43 | 25×35:2.43 | 30×25:2.43 |            |            |            | 25×45:2.97 | 30×35:2.97 |            |  |
| 5600              |                 |            | 22×50:2.75 | 25×40:2.75 | 30×30:2.75 |            |            |            | 25×50:3.22 | 30×35:3.22 | 35×30:3.22 |  |
| 6800              |                 |            |            | 25×45:3.30 | 30×35:3.30 |            |            |            |            | 30×40:3.65 | 35×35:3.65 |  |
| 8200              |                 |            |            | 25×50:3.60 | 30×40:3.60 | 35×30:3.60 |            |            |            | 30×50:4.04 | 35×40:4.04 |  |
| 10000             |                 |            |            |            | 30×45:4.05 | 35×35:4.05 |            |            |            |            | 35×45:4.48 |  |
| 12000             |                 |            |            |            | 30×50:4.56 | 35×40:4.56 |            |            |            |            | 35×50:4.75 |  |
| 15000             |                 |            |            |            |            | 35×50:4.77 |            |            |            |            |            |  |

| Cap<br>( $\mu$ F) | Vdc<br>$\phi$ D | 80         |            |            |            |            | 100        |            |            |            |            |  |
|-------------------|-----------------|------------|------------|------------|------------|------------|------------|------------|------------|------------|------------|--|
|                   |                 | $\phi$ 20  | $\phi$ 22  | $\phi$ 25  | $\phi$ 30  | $\phi$ 35  | $\phi$ 20  | $\phi$ 22  | $\phi$ 25  | $\phi$ 30  | $\phi$ 35  |  |
| 560               |                 |            |            |            |            |            | 20×25:0.95 |            |            |            |            |  |
| 680               |                 |            |            |            |            |            | 20×30:1.15 | 22×25:1.15 |            |            |            |  |
| 820               |                 | 20×25:1.04 |            |            |            |            | 20×35:1.32 | 22×30:1.32 |            |            |            |  |
| 1000              |                 | 20×30:1.24 | 22×25:1.24 |            |            |            | 20×35:1.47 | 22×30:1.47 | 25×25:1.47 |            |            |  |
| 1200              |                 | 20×35:1.44 | 22×30:1.44 |            |            |            | 20×40:1.69 | 22×35:1.69 | 25×30:1.69 |            |            |  |
| 1500              |                 | 20×35:1.59 | 22×30:1.59 | 25×25:1.59 |            |            |            | 22×40:1.98 | 25×35:1.98 | 30×25:1.98 |            |  |
| 1800              |                 | 20×40:1.79 | 22×35:1.79 | 25×30:1.79 |            |            |            | 22×45:2.23 | 25×35:2.23 | 30×30:2.23 |            |  |
| 2200              |                 |            | 22×40:2.03 | 25×30:2.03 | 30×25:2.03 |            |            |            | 25×45:2.55 | 30×35:2.55 | 35×30:2.55 |  |
| 2700              |                 |            | 22×45:2.39 | 25×35:2.39 | 30×30:2.39 |            |            |            | 25×50:2.89 | 30×40:2.89 | 35×30:2.89 |  |
| 3300              |                 |            |            | 25×40:2.64 | 30×35:2.64 |            |            |            |            | 30×45:3.30 | 35×35:3.30 |  |
| 3900              |                 |            |            | 25×50:2.97 | 30×35:2.97 | 35×30:2.97 |            |            |            | 30×50:3.67 | 35×40:3.67 |  |
| 4700              |                 |            |            |            | 30×40:3.38 | 35×35:3.38 |            |            |            |            | 35×45:3.80 |  |
| 5600              |                 |            |            |            | 30×45:3.80 | 35×40:3.80 |            |            |            |            | 35×50:4.05 |  |
| 6800              |                 |            |            |            |            | 35×45:4.10 |            |            |            |            |            |  |
| 8200              |                 |            |            |            |            | 35×50:4.30 |            |            |            |            |            |  |

↑ リプル電流 Ripple Current (A r.m.s./120Hz, 105°C)  
↑ ケースサイズ Case Size  $\phi$ D×L(mm)



# 基板自立形アルミニウム電解コンデンサ

## SNAP-IN ALUMINUM ELECTROLYTIC CAPACITORS

MXC

### ◆標準品一覧表 STANDARD SIZE

| Cap<br>( $\mu$ F) | Vdc<br>$\phi$ D | 160        |            |            |            |           | 180        |            |            |            |            |
|-------------------|-----------------|------------|------------|------------|------------|-----------|------------|------------|------------|------------|------------|
|                   |                 | $\phi$ 20  | $\phi$ 22  | $\phi$ 25  | $\phi$ 30  | $\phi$ 35 | $\phi$ 20  | $\phi$ 22  | $\phi$ 25  | $\phi$ 30  | $\phi$ 35  |
| 270               | 20x25:1.10      |            |            |            |            |           | 20x25:0.93 |            |            |            |            |
| 330               | 20x30:1.20      | 22x25:1.21 |            |            |            |           | 20x30:1.20 | 22x25:1.20 |            |            |            |
| 390               | 20x30:1.24      | 22x25:1.30 |            |            |            |           | 20x35:1.30 | 22x30:1.35 |            |            |            |
| 470               | 20x35:1.42      | 22x30:1.41 |            |            |            |           | 20x40:1.40 | 22x35:1.42 | 25x25:1.38 |            |            |
| 560               | 20x40:1.57      | 22x35:1.54 | 25x25:1.51 |            |            |           | 20x45:1.55 | 22x40:1.60 | 25x30:1.55 |            |            |
| 680               | 20x45:1.70      | 22x40:1.74 | 25x30:1.74 | 30x25:1.74 |            |           |            | 22x45:1.78 | 25x35:1.78 | 30x25:1.55 |            |
| 820               |                 | 22x45:2.00 | 25x35:2.00 | 30x30:2.00 |            |           |            | 22x50:2.00 | 25x40:2.00 | 30x30:2.00 | 35x25:2.00 |
| 1000              |                 | 22x50:2.25 | 25x40:2.25 | 30x30:2.25 | 35x25:2.25 |           |            |            | 25x45:2.25 | 30x35:2.25 | 35x30:2.26 |
| 1200              |                 |            | 25x45:2.49 | 30x35:2.49 | 35x30:2.45 |           |            |            | 25x50:2.54 | 30x40:2.52 | 35x30:2.60 |
| 1500              |                 |            |            | 30x40:2.84 | 35x30:2.68 |           |            |            |            | 30x45:2.90 | 35x35:2.95 |
| 1800              |                 |            |            | 30x45:3.32 | 35x35:3.00 |           |            |            |            | 30x50:3.00 | 35x40:3.30 |
| 2200              |                 |            |            |            | 35x45:3.50 |           |            |            |            |            | 35x50:3.65 |
| 2700              |                 |            |            |            | 35x50:4.00 |           |            |            |            |            |            |

| Cap<br>( $\mu$ F) | Vdc<br>$\phi$ D | 200        |            |            |            |           | 220        |            |            |            |            |
|-------------------|-----------------|------------|------------|------------|------------|-----------|------------|------------|------------|------------|------------|
|                   |                 | $\phi$ 20  | $\phi$ 22  | $\phi$ 25  | $\phi$ 30  | $\phi$ 35 | $\phi$ 20  | $\phi$ 22  | $\phi$ 25  | $\phi$ 30  | $\phi$ 35  |
| 180               |                 |            |            |            |            |           | 20x25:0.86 |            |            |            |            |
| 220               | 20x25:1.00      |            |            |            |            |           | 20x30:1.04 | 22x25:0.99 |            |            |            |
| 270               | 20x30:1.10      | 22x25:1.10 |            |            |            |           | 20x30:1.08 | 22x25:1.04 |            |            |            |
| 330               | 20x30:1.15      | 22x30:1.25 |            |            |            |           | 20x35:1.30 | 22x30:1.32 | 25x25:1.26 |            |            |
| 390               | 20x35:1.25      | 22x30:1.31 | 25x25:1.31 |            |            |           | 20x40:1.45 | 22x35:1.42 | 25x30:1.45 |            |            |
| 470               | 20x40:1.42      | 22x35:1.45 | 25x30:1.45 |            |            |           | 20x45:1.63 | 22x40:1.67 | 25x30:1.54 | 30x25:1.48 |            |
| 560               |                 | 22x40:1.60 | 25x30:1.60 | 30x25:1.60 |            |           |            | 22x45:1.77 | 25x35:1.66 | 30x30:1.65 |            |
| 680               |                 | 22x45:1.75 | 25x35:1.78 | 30x30:1.78 |            |           |            |            | 25x40:1.87 | 30x30:1.82 | 35x25:1.78 |
| 820               |                 | 22x50:1.95 | 25x40:1.95 | 30x30:2.00 |            |           |            |            | 25x45:2.04 | 30x35:2.00 | 35x30:1.93 |
| 1000              |                 |            | 25x45:2.10 | 30x35:2.30 | 35x30:2.30 |           |            |            |            | 30x40:2.48 | 35x35:2.33 |
| 1200              |                 |            |            | 30x40:2.64 | 35x35:2.65 |           |            |            |            | 30x45:2.88 | 35x40:2.65 |
| 1500              |                 |            |            | 30x50:3.08 | 35x40:3.08 |           |            |            |            |            | 35x45:2.96 |
| 1800              |                 |            |            |            | 35x45:3.48 |           |            |            |            |            | 35x50:3.39 |
| 2200              |                 |            |            |            | 35x50:3.55 |           |            |            |            |            |            |

| Cap<br>( $\mu$ F) | Vdc<br>$\phi$ D | 250        |            |            |            |           | 315        |            |            |            |            |
|-------------------|-----------------|------------|------------|------------|------------|-----------|------------|------------|------------|------------|------------|
|                   |                 | $\phi$ 20  | $\phi$ 22  | $\phi$ 25  | $\phi$ 30  | $\phi$ 35 | $\phi$ 20  | $\phi$ 22  | $\phi$ 25  | $\phi$ 30  | $\phi$ 35  |
| 82                |                 |            |            |            |            |           | 20x25:0.64 |            |            |            |            |
| 100               |                 |            |            |            |            |           | 20x30:0.69 | 22x25:0.62 |            |            |            |
| 120               |                 |            |            |            |            |           | 20x30:0.75 | 22x25:0.75 | 25x25:0.76 |            |            |
| 150               |                 |            |            |            |            |           | 20x35:0.82 | 22x30:0.82 | 25x25:0.82 |            |            |
| 180               |                 |            |            |            |            |           | 20x40:0.90 | 22x35:0.92 | 25x25:0.90 |            |            |
| 220               | 20x30:1.00      | 22x25:1.00 |            |            |            |           | 20x50:1.00 | 22x40:1.04 | 25x30:1.04 | 30x25:1.04 |            |
| 270               | 20x35:1.10      | 22x30:1.15 |            |            |            |           |            | 22x45:1.16 | 25x35:1.15 | 30x25:1.15 | 35x25:1.15 |
| 330               | 20x40:1.20      | 22x35:1.28 |            |            |            |           |            | 22x50:1.22 | 25x40:1.23 | 30x30:1.33 | 35x25:1.32 |
| 390               | 20x45:1.35      | 22x40:1.49 | 25x30:1.35 | 30x25:1.49 |            |           |            |            | 25x45:1.40 | 30x35:1.47 | 35x30:1.47 |
| 470               |                 | 22x45:1.60 | 25x35:1.57 | 30x30:1.65 |            |           |            |            |            | 30x40:1.70 | 35x30:1.70 |
| 560               |                 | 22x50:1.72 | 25x40:1.80 | 30x30:1.80 |            |           |            |            |            | 30x45:2.05 | 35x35:1.90 |
| 680               |                 |            | 25x45:1.85 | 30x35:2.00 | 35x30:2.00 |           |            |            |            | 30x50:2.14 | 35x40:2.17 |
| 820               |                 |            | 25x50:2.10 | 30x40:2.18 | 35x35:2.30 |           |            |            |            |            | 35x45:2.20 |
| 1000              |                 |            |            | 30x45:2.40 | 35x35:2.35 |           |            |            |            |            |            |
| 1200              |                 |            |            |            | 35x40:2.50 |           |            |            |            |            |            |
| 1500              |                 |            |            |            | 35x50:3.00 |           |            |            |            |            |            |

| Cap<br>( $\mu$ F) | Vdc<br>$\phi$ D | 350        |            |            |            |           | 385        |            |            |            |            |
|-------------------|-----------------|------------|------------|------------|------------|-----------|------------|------------|------------|------------|------------|
|                   |                 | $\phi$ 20  | $\phi$ 22  | $\phi$ 25  | $\phi$ 30  | $\phi$ 35 | $\phi$ 20  | $\phi$ 22  | $\phi$ 25  | $\phi$ 30  | $\phi$ 35  |
| 56                |                 |            |            |            |            |           | 20x25:0.42 |            |            |            |            |
| 68                | 20x25:0.47      |            |            |            |            |           | 20x30:0.47 | 22x25:0.49 |            |            |            |
| 82                | 20x30:0.55      |            |            |            |            |           | 20x30:0.52 | 22x25:0.55 |            |            |            |
| 100               | 20x30:0.60      | 22x25:0.69 |            |            |            |           | 20x35:0.60 | 22x30:0.66 | 25x25:0.66 |            |            |
| 120               | 20x35:0.70      | 22x30:0.75 | 25x25:0.75 |            |            |           | 20x40:0.68 | 22x35:0.71 | 25x25:0.71 |            |            |
| 150               | 20x40:0.78      | 22x35:0.82 | 25x30:0.83 |            |            |           |            | 22x40:0.83 | 25x30:0.83 | 30x25:0.77 |            |
| 180               | 20x45:0.88      | 22x40:0.92 | 25x30:0.92 | 30x25:0.92 |            |           |            | 22x45:0.92 | 25x35:0.92 | 30x30:0.89 |            |
| 220               |                 | 22x45:1.05 | 25x35:1.05 | 30x30:1.02 |            |           |            | 22x50:1.03 | 25x40:1.03 | 30x30:1.01 | 35x25:1.03 |
| 270               |                 | 22x50:1.18 | 25x40:1.18 | 30x30:1.18 | 35x25:1.20 |           |            |            | 25x45:1.14 | 30x35:1.15 | 35x30:1.13 |
| 330               |                 |            | 25x45:1.30 | 30x35:1.35 | 35x30:1.22 |           |            |            |            | 30x40:1.32 | 35x30:1.35 |
| 390               |                 |            | 25x50:1.45 | 30x40:1.52 | 35x35:1.48 |           |            |            |            | 30x45:1.46 | 35x35:1.50 |
| 470               |                 |            |            | 30x45:1.65 | 35x35:1.70 |           |            |            |            | 30x50:1.72 | 35x40:1.79 |
| 560               |                 |            |            | 30x50:1.85 | 35x40:1.90 |           |            |            |            |            | 35x45:1.99 |
| 680               |                 |            |            |            | 35x45:2.00 |           |            |            |            |            |            |

↑ リプル電流 Ripple Current (A r.m.s./120Hz, 105°C)  
↑ ケースサイズ Case Size  $\phi$ D×L(mm)



# 基板自立形アルミニウム電解コンデンサ

## SNAP-IN ALUMINUM ELECTROLYTIC CAPACITORS

MXC

### ◆標準品一覧表 STANDARD SIZE

| Cap<br>( $\mu$ F) | Vdc<br>$\phi$ D | 400        |            |            |            |            | 420        |            |            |            |            |  |  |
|-------------------|-----------------|------------|------------|------------|------------|------------|------------|------------|------------|------------|------------|--|--|
|                   |                 | $\phi$ 20  | $\phi$ 22  | $\phi$ 25  | $\phi$ 30  | $\phi$ 35  | $\phi$ 20  | $\phi$ 22  | $\phi$ 25  | $\phi$ 30  | $\phi$ 35  |  |  |
| 56                |                 | 20×25:0.51 |            |            |            |            | 20×25:0.44 |            |            |            |            |  |  |
| 68                |                 | 20×30:0.56 | 22×25:0.52 |            |            |            | 20×30:0.49 | 22×25:0.51 |            |            |            |  |  |
| 82                |                 | 20×30:0.64 | 22×25:0.64 |            |            |            | 20×35:0.54 | 22×30:0.65 | 25×25:0.65 |            |            |  |  |
| 100               |                 | 20×35:0.70 | 22×30:0.70 | 25×25:0.70 |            |            | 20×35:0.61 | 22×30:0.68 | 25×25:0.67 |            |            |  |  |
| 120               |                 | 20×40:0.75 | 22×35:0.75 | 25×25:0.75 |            |            | 20×40:0.70 | 22×35:0.73 | 25×30:0.76 | 30×25:0.81 |            |  |  |
| 150               |                 | 20×45:0.83 | 22×40:0.88 | 25×30:0.88 | 30×25:0.82 |            | 20×45:0.78 | 22×40:0.86 | 25×35:0.87 | 30×25:0.84 |            |  |  |
| 180               |                 |            | 22×45:0.98 | 25×35:0.98 | 30×30:0.95 |            |            | 22×45:0.96 | 25×35:0.95 | 30×30:0.97 | 35×25:0.91 |  |  |
| 220               |                 |            | 22×50:1.10 | 25×40:1.10 | 30×30:1.10 | 35×25:1.10 |            |            | 25×40:1.08 | 30×35:1.14 | 35×30:1.07 |  |  |
| 270               |                 |            |            | 25×45:1.21 | 30×35:1.22 | 35×30:1.22 |            |            | 25×50:1.38 | 30×35:1.20 | 35×35:1.29 |  |  |
| 330               |                 |            |            |            | 30×40:1.44 | 35×30:1.44 |            |            |            | 30×40:1.37 | 35×35:1.44 |  |  |
| 390               |                 |            |            |            | 30×45:1.55 | 35×35:1.60 |            |            |            | 30×45:1.50 | 35×40:1.63 |  |  |
| 470               |                 |            |            |            |            | 35×40:1.90 |            |            |            |            | 35×45:1.88 |  |  |
| 560               |                 |            |            |            |            | 35×45:2.12 |            |            |            |            |            |  |  |

| Cap<br>( $\mu$ F) | Vdc<br>$\phi$ D | 450        |            |            |            |            |
|-------------------|-----------------|------------|------------|------------|------------|------------|
|                   |                 | $\phi$ 20  | $\phi$ 22  | $\phi$ 25  | $\phi$ 30  | $\phi$ 35  |
| 47                |                 | 20×25:0.39 |            |            |            |            |
| 56                |                 | 20×30:0.51 | 22×25:0.44 |            |            |            |
| 68                |                 | 20×35:0.56 | 22×30:0.53 |            |            |            |
| 82                |                 | 20×35:0.64 | 22×30:0.64 | 25×25:0.64 |            |            |
| 100               |                 | 20×45:0.69 | 22×35:0.69 | 25×30:0.69 | 30×25:0.69 |            |
| 120               |                 | 20×50:0.75 | 22×40:0.75 | 25×30:0.75 | 30×25:0.80 |            |
| 150               |                 |            | 22×45:0.88 | 25×35:0.88 | 30×30:0.88 | 35×25:0.75 |
| 180               |                 |            |            | 25×40:0.95 | 30×30:1.00 | 35×30:0.86 |
| 220               |                 |            |            | 25×45:1.10 | 30×35:1.12 | 35×30:1.05 |
| 270               |                 |            |            |            | 30×40:1.28 | 35×35:1.27 |
| 330               |                 |            |            |            | 30×50:1.45 | 35×40:1.45 |
| 390               |                 |            |            |            |            | 35×40:1.65 |
| 470               |                 |            |            |            |            | 35×50:1.85 |

↑ リプル電流 Ripple Current (A r.m.s./120Hz, 105°C)  
↑ ケースサイズ Case Size  $\phi$ D×L(mm)