

Description

The IDT5P49EE602 is a programmable clock generator intended for low power, battery operated consumer applications. There are four internal PLLs, each individually programmable, allowing for up to six different output frequencies. The frequencies are generated from a single reference clock. The reference clock can come from either a TCXO or fundamental mode crystal. An additional 32.768kHz crystal oscillator is available to provide a real time clock or non-critical performance MHz processor clock.

The IDT5P49EE602 can be programmed through the use of the I²C interfaces. The programming interface enables the device to be programmed when it is in normal operation or what is commonly known as in system programmable. An internal EEPROM allows the user to save and restore the configuration of the device without having to reprogram it on power-up.

Each of the four PLLs has an 8-bit reference divider and a 11-bit feedback divider. This allows the user to generate four unique non-integer-related frequencies. The PLL loop bandwidth is programmable to allow the user to tailor the PLL response to the application. For instance, the user can tune the PLL parameters to minimize jitter generation or to maximize jitter attenuation.

Spread spectrum generation is supported on one of the PLLs. The device is specifically designed to work with display applications to ensure that the spread profile remains consistent for each HSYNC in order to reduce ROW noise. It also may operate in standard spread spectrum mode.

There are total five 8-bit output dividers. The outputs are connected to the PLLs via the switch matrix. The switch matrix allows the user to route the PLL outputs to any output bank. This feature can be used to simplify and optimize the board layout. In addition, each output's slew rate and enable/disable function can be programmed.

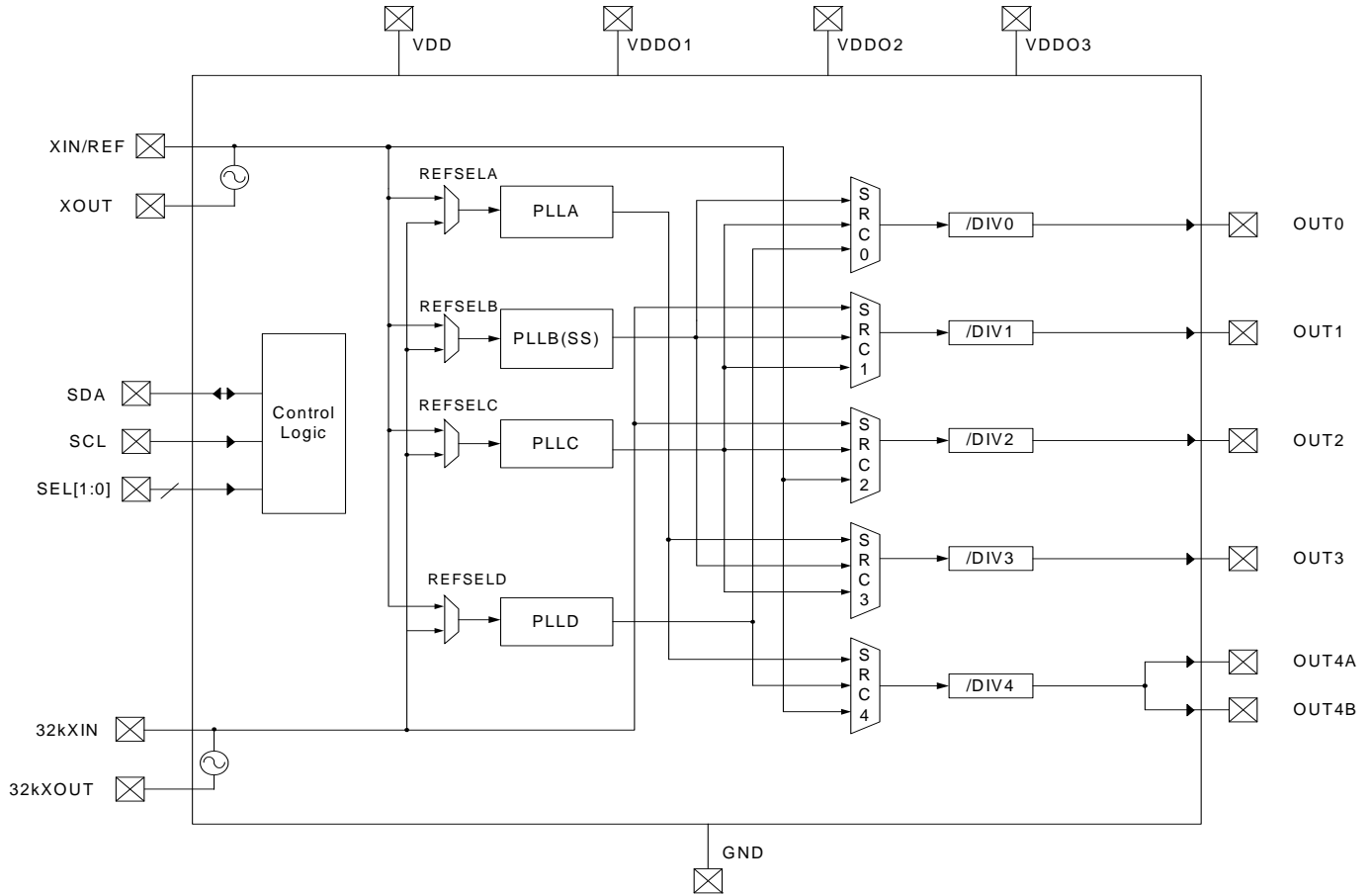
Target Applications

- Smart Mobile Handset
- Personal Navigation Device (PND)
- Camcorder
- DSC
- Portable Game Console
- Personal Media Player

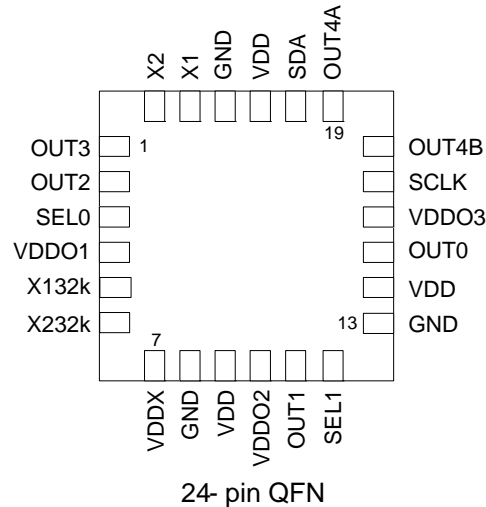
Features

- Four internal PLLs
- Internal non-volatile EEPROM
 - Internal I²C EEPROM master interface
- FAST (400kHz) mode I²C serial interfaces
- Input Frequencies
 - TCXO: 10 MHz to 40 MHz
 - Crystal: 8 MHz to 30 MHz
 - RTC Crystal: 32.768 kHz
- Output Frequency Ranges: kHz to 120 MHz
- Each PLL has an 8-bit reference divider and a 11-bit feedback-divider
- 8-bit output-divider blocks
- One of the PLLs support Spread Spectrum generation capable of configuration to pixel rate, with adjustable modulation rate and amplitude to support video clock with no visible artifacts
- I/O Standards:
 - Outputs - 1.8V/2.5V/3.3 V LVTTTL/ LVCMOS
- 3 independent adjustable VDDO groups.
- Programmable Slew Rate Control
- Programmable Loop Bandwidth Settings
- Programmable output inversion to reduce bimodal jitter
- Individual output enable/disable
- Power-down/Sleep mode
 - 10μA max in power down mode
 - 32kHz clock output active sleep mode
 - 100μA max in sleep mode
- 1.8V VDD Core Voltage
- Available in 24pin 4x4mm QFN packages
- -40 to +85 C Industrial Temp operation

Functional Block Diagram



Pin Assignment



Pin Descriptions

Pin Name	Pin #	I/O	Pin Type	Pin Description
OUT3	1	O	Adjustable	Configurable clock output 3. Single-ended output voltage levels are register controlled by either VDDO1, VDDO2 or VDDO3.
OUT2	2	O	Adjustable	Configurable clock output 2. Single-ended output voltage levels are register controlled by either VDDO1, VDDO2 or VDDO3.
SEL0*	3	I	LVTTTL	Configuration select pin. Weak internal pull down resistor.
VDDO1	4		Power	Device power supply. Connect to 1.8 to 3.3V. Using register settings, select output voltage levels for OUT0-OUT4. VDDO1 must be greater than or equal to both VDDO2 and VDDO3.
X132k	5	I	LVTTTL	32kHz CRYSTAL_IN -- Reference crystal input
X232k	6	O	LVTTTL	32kHz CRYSTAL_OUT -- Reference crystal feedback.
VDDx	7		Power	Crystal oscillator power supply. Connect to 1.8V. Use filtered analog power supply if available.
GND	8		Power	Connect to Ground.
VDD	9		Power	Device power supply. Connect to 1.8V.
VDDO2	10		Power	Device power supply. Connect to 1.8 to 3.3V. Using register settings, select output voltage levels for OUT0-OUT3. VDDO2 must be equal or less than VDDO1.
OUT1	11	O	Adjustable	Configurable clock output 1. Single-ended output voltage levels are register controlled by either VDDO1, VDDO2 or VDDO3.
SEL1*	12	I	LVTTTL	Configuration select pin. Weak internal pull down resistor.

GND	13		Power	Connect to Ground.
VDD	14		Power	Device power supply. Connect to 1.8V.
OUT0	15	O	Adjustable	Configurable clock output 0. Single-ended output voltage levels are register controlled by either VDDO1, VDDO2 or VDDO3.
VDDO3	16		Power	Device power supply. Connect to 1.8 to 3.3V. Using register settings, select output voltage levels for OUT0/3/6/7/8/9. VDDO3 must be equal or less than VDDO1.
SCLK	17	I	LVTTL	I ² C clock. Logic levels set by VDDO1. 5V tolerant.
OUT4B	18	O	Adjustable	Configurable clock output 4B. Output voltage levels are controlled by VDDO1.
OUT4A	19	O	Adjustable	Configurable clock output 4A. Output voltage levels are controlled by VDDO1.
SDA	20	I/O	Open Drain	Bidirectional I ² C data. Logic levels set by VDDO1. 5V tolerant.
VDD	21		Power	Device power supply. Connect to 1.8V.
GND	22		Power	Connect to Ground.
XIN/ REF	23	I	LVTTL	MHz CRYSTAL_IN -- Reference crystal input or external reference clock input. Maximum clock input voltage is 1.8V.
XOUT	24	O	LVTTL	MHz CRYSTAL_OUT -- Reference crystal feedback. Float pin if using reference input clock.

Note *: SEL pins should be controlled by 1.8V LVTTL logic; 3.3V tolerant.

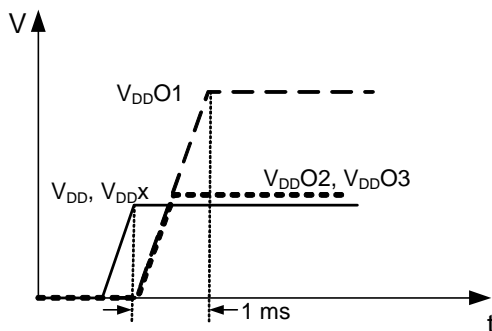
Note 1: Outputs are user programmable to drive single-ended 1.8V/2.5V/3.3V LVTTL as indicated above.

Note 2: Default configuration CLK3=Buffered Reference output. All other outputs are off.

Note 3: Do not power up with SEL[1:0] = 00 (in Power down/Sleep mode).

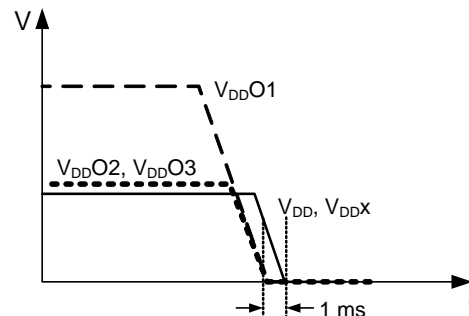
Ideal Power Up Sequence

- 1) V_{DD} and V_{DDX} must come up first, followed by V_{DDO}
- 2) V_{DDO1} must come up within 1ms after V_{DD} and V_{DDX} come up
- 3) $V_{DDO2/3}$ must be equal to, or lower than, V_{DDO1}
- 4) V_{DD} and V_{DDX} have approx. the same ramp rate
- 5) V_{DDO1} and $V_{DDO2/3}$ have approx. same ramp rate

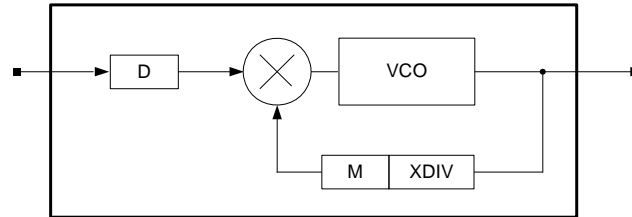


Ideal Power Down Sequence

- 1) V_{DDO} must drop first, followed by V_{DD} and V_{DDX}
- 2) V_{DD} and V_{DDX} must come down within 1ms after V_{DDO1} comes down
- 3) $V_{DDO2/3}$ must be equal to, or lower than, V_{DDO1}
- 4) V_{DD} and V_{DDX} have approx. the same ramp rate
- 5) V_{DDO1} and $V_{DDO2/3}$ have approx. same ramp rate



PLL Features and Descriptions



PLL Block Diagram

	Ref-Divider (D) Values	Feedback Pre-Divider (XDIV) Values	Feedback (M) Values	Programmable Loop Bandwidth	Spread Spectrum Generation Capability
PLLA	1 - 255	1 or 4	6 - 2047	Yes	No
PLLB	1 - 255	4	6 - 2047	Yes	Yes
PLLC	1 - 255	1 or 8 bit divide	6 - 2047	Yes	No
PLLD	1 - 255	1 or 4	6 - 2047	Yes	No

Crystal Input (XIN/REF)

The crystal oscillators should be fundamental mode quartz crystals; overtone crystals are not suitable. Crystal frequency should be specified for parallel resonance with 50Ω maximum equivalent series resonance. 0

ONXTALB=0 bit needs to be set for XIN/REF.

Crystal Load Capacitors

The device crystal connections should include pads for small capacitors from X1 to ground and from X2 to ground. These capacitors are used to adjust the stray capacitance of the board to match the nominally required crystal load capacitance. Because load capacitance can only be increased in this trimming process, it is important to keep stray capacitance to a minimum by using very short PCB traces (and no vias) between the crystal and device. Crystal capacitors must be connected from each of the pins X1 and X2 to ground.

The crystal capacitors are internal to the device and have an effective value of 4pF.

Reference Pre-Divider, Reference Divider, Feedback-Divider and Post-Divider

Each PLL incorporates an 8-bit reference-scaler and a 11-bit feedback divider which allows the user to generate four unique non-integer-related frequencies. PLLA and PLLD each have a feedback pre-divider that provides additional multiplication for kHz reference clock applications. Each output divider supports 8-bit post-divider. The following equation governs how the output frequency is calculated.

$$F_{OUT} = F_{IN} * \left(\frac{XDIV * M}{D} \right) \text{ (Eq. 2)}$$

Where F_{IN} is the reference frequency, XDIV is the feedback pre-divider value, M is the feedback-divider value, D is the reference divider value, ODIV is the total post-divider value, and F_{OUT} is the resulting output frequency. Programming any of the dividers may cause glitches on the outputs.

SPREAD SPECTRUM GENERATION (PLL B)

PLL B has spread spectrum generation capability, which users have the option of turning on and off. Spread spectrum profile, frequency, and spread are fully programmable (within limits). The programmable spread spectrum generation parameters are NC[10:0], MOD[12:0], and NSS[10:0] bits. To enable spread spectrum, set SSEN_B=0.

The spread spectrum circuitry was specifically developed to accommodate video display applications. The spread modulation frequency can be defined to exactly equal the horizontal line frequency (HSYNC)

NC[10:0]

These bits are used to determine the number of pulses per spread spectrum cycle. For video applications, NC is the number of pixels on the horizontal display row (or integer multiple of displayed pixels in a row). By matching the spread period to the screen, no tearing or “shimmer” will be apparent.

NC must be an even number to insure that the upward spread transition has the same number of steps as the downward spread transition.

For non-video applications, this can also be seen as the number of clock cycles for a complete spread spectrum period.

MOD[12:0]

These bits relate the reference frequency to the target average spread output frequency (F_{MID}). F_{MID} is the midpoint between F_{MAX} (maximum frequency) and F_{MIN} (minimum frequency).

$$F_{MID} = (F_{MAX} + F_{MIN}) / 2$$

$$MOD = (F_{REF} * NC) / (2 * F_{MID})$$

NSS[10:0]

These bits control the amplitude of the spread modulation.

$$NSS = (NC / 2) + (NC / 8) * (F_{MAX} - F_{MIN}) / F_{MID}$$

Modulation frequency:

$$F_{MOD} = F_{MID} / NC \text{ (Eq. 11)}$$

Video Example

$F_{REF} = 25\text{MHz}$, $F_{OUT} = 27\text{ MHz}$, 640 pixels per line, center spread of $\pm 1\%$. Find the necessary spread spectrum register settings.

$$F_{MID} = F_{OUT}$$

NC = 640 or 320 or 160 (integer number of spread periods/screen)

$$MOD = (25\text{MHz} * 640) / (2 * 27\text{MHz}) = 296$$

$$NSS = (640/2) + (640/8) * (27.27\text{MHz} - 26.73\text{MHz}) / 27\text{MHz} = 322.$$

$$F_{MOD} = 27\text{MHz} / 640 = 42.2\text{kHz}.$$

Non-Video Example

$F_{REF} = 25\text{MHz}$, $F_{OUT} = 27\text{ MHz}$, 32kHz modulation rate, center spread of $\pm 1\%$. Find the necessary spread spectrum register settings.

$$F_{MID} = F_{OUT}$$

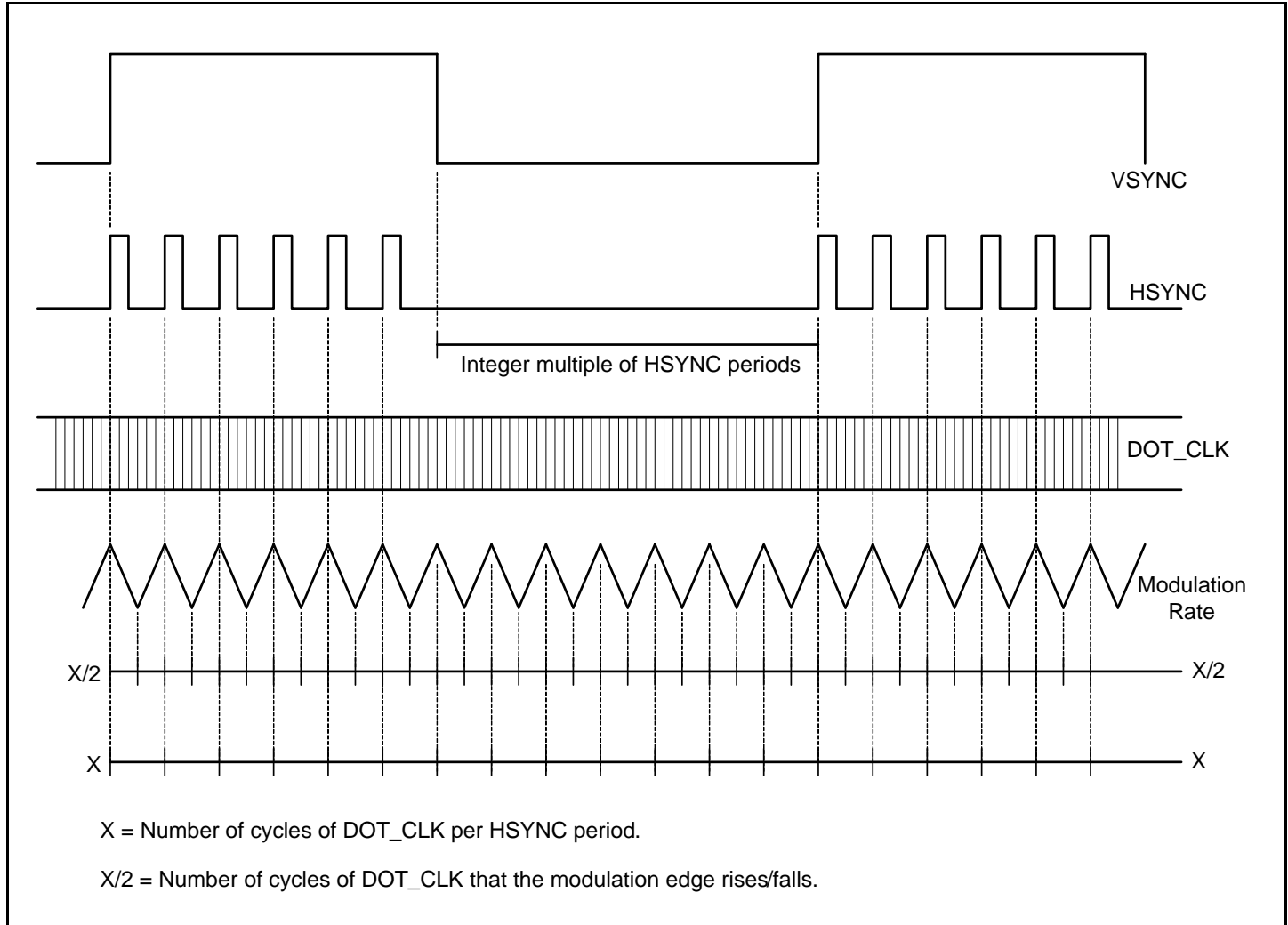
$$F_{MOD} = 32\text{kHz} = 27\text{MHz} / NC.$$

$$NC = 844$$

$$MOD = (25\text{MHz} * 844) / (2 * 27\text{MHz}) = 391$$

$$NSS = (844/2) + (844/8) * (27.27\text{MHz} - 26.73\text{MHz}) / 27\text{MHz} = 424.$$

VSYNC, HSYNC, DOT_CLK – Modulation Rate Relationship



Zero capacitor (C_z) = 280pF

Pole capacitor (C_p) = 30pF

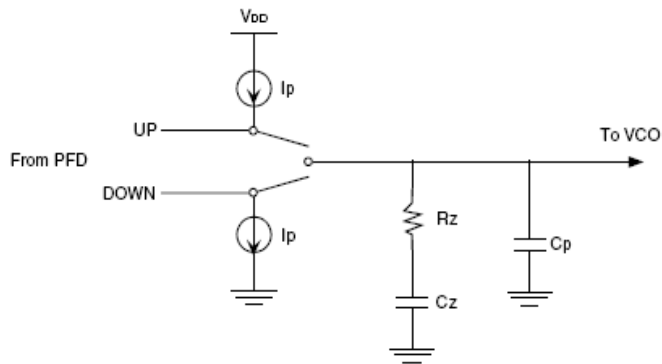
Charge pump (I_p) = IP#[2:0] μ A

VCO gain (K_{vco}) = 350MHz/V * 2π

LOOP FILTER

The loop filter for each PLL can be programmed to optimize the jitter performance. The low-pass frequency response of the PLL is the mechanism that dictates the jitter transfer characteristics. The loop bandwidth can be extracted from the jitter transfer. A narrow loop bandwidth is good for jitter attenuation while a wide loop bandwidth is best for low jitter generation. The specific loop filter components that can be programmed are the resistor via the RZ[4:0] bits, zero capacitor via the CZ[2:0] bits, pole capacitor via the CP[1:0] bits, and the charge pump current via the IP#[2:0] bits.

The following equations govern how the loop filter is set:



PLL Loop Bandwidth:

Charge pump gain ($K\phi$) = $I_p / 2\pi$

VCO gain (K_{VCO}) = $350\text{MHz/V} * 2\pi$

M = Total multiplier value (See the PRE-SCALERS, FEEDBACK-DIVIDERS, POST-DIVIDERS section for more detail)

$$\omega_c = (R_z * K\phi * K_{VCO} * C_z) / (M * (C_z + C_p))$$

$$F_c = \omega_c / 2\pi$$

Note, the phase/frequency detector frequency (F_{PFD}) is typically seven times the PLL closed-loop bandwidth (F_c) but too high of a ratio will reduce your phase margin thus compromising loop stability.

To determine if the loop is stable, the phase margin (ϕ_m) would need to be calculated as follows.

Phase Margin:

$$\omega_z = 1 / (R_z * C_z)$$

$$\omega_p = (C_z + C_p) / (R_z * C_z * C_p)$$

$$\phi_m = (360 / 2\pi) * [\tan^{-1}(\omega_c / \omega_z) - \tan^{-1}(\omega_c / \omega_p)]$$

To ensure stability in the loop, the phase margin is recommended to be $> 60^\circ$ but too high will result in the lock time being excessively long. Certain loop filter parameters would need to be compromised to not only meet a required loop bandwidth but to also maintain loop stability.

Damping Factor:

$$\zeta = R_z / 2 * (K_{VCO} * I_p * C_z)^{1/2} / M$$

Example

$F_c = 150\text{kHz}$ is the desired loop bandwidth. The total $A * M$ value is 160. The ζ (damping factor) target should be 0.7, meaning the loop is critically damped. Given F_c and $A * M$, an optimal loop filter setting needs to be solved for that will meet both the PLL loop bandwidth and maintain loop stability.

Choose a mid-range charge pump from register table

$$I_{cp} = 11.9\mu\text{A}$$

$$K\phi * K_{VCO} = 350\text{MHz/V} * 40\mu\text{A} = 12000\text{A/Vs}$$

$$\omega_c = 2\pi * F_c = 9.42 \times 10^5 \text{ s}^{-1}$$

$$\omega_p = (C_z + C_p) / (R_z * C_z * C_p) = \omega_z (1 + C_z / C_p)$$

Solving for R_z , the best possible value $R_z = 30\text{k}\Omega$ ($RZ[1:0] = 10$) gives

$$\zeta = 1.4 \text{ (Ideal range for } \zeta \text{ is 0.7 to 1.4)}$$

Solving back for the PLL loop bandwidth, $F_c = 149\text{kHz}$.

The phase margin must be checked for loop stability.

$$\phi_m = (360 / 2\pi) * [\tan^{-1}(9.42 \times 10^5 \text{ s}^{-1} / 1.19 \times 10^5 \text{ s}^{-1}) - \tan^{-1}(9.42 \times 10^5 \text{ s}^{-1} / 1.23 \times 10^6 \text{ s}^{-1})] = 45^\circ$$

The phase margin would be acceptable with a fairly stable loop.

SEL[1:0] Function

The IDT5P49EE602 can support up to three unique configurations. Users may pre-program all configurations, selected using SEL[1:0] pins. Alternatively, users may use I2C interface to configure these registers on- the-fly.

Power Down/Sleep Mode is selected by the No_PD bit. No_PD=0 enables Power Down mode with no outputs. No_PD=1 enables sleep mode with 32kHz output on OUT2.

Always power with SEL1=1 and/or SEL0=1.

SEL1	SEL0	Configuration Selections
0	0	Power Down/Sleep Mode
0	1	Select CONFIG0
1	0	Select CONFIG1
1	1	Select CONFIG2

Configuration OUTx IO Standard

Users can configure the individual output IO standard from

a single 3.3V power supply. Each output can support 1.8V/ 2.5V or 3.3V LVCMOS. VDDO1 must have the highest voltage of any pin on the device. VDDO2 and VDDO3 may have any value between 1.8V and VDDO1.

Programming the Device

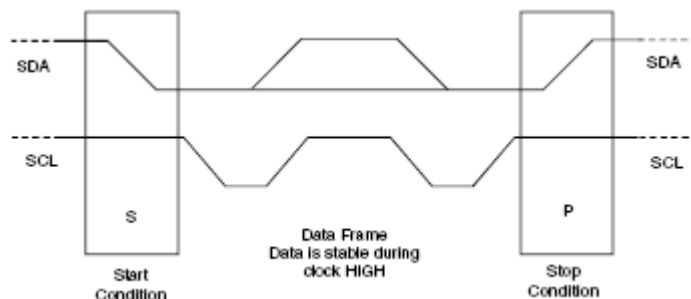
I²C may be used to program the IDT5P49EE602.

– Device (slave) address = 7'b1101010

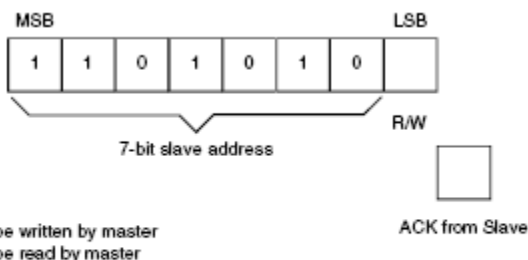
I²C Programming

The IDT5P49EE602 is programmed through an I²C-Bus serial interface, and is an I²C slave device. The read and write transfer formats are supported. The first byte of data after a write frame to the correct slave address is interpreted as the register address; this address auto-increments after each byte written or read.

The frame formats are shown in the following illustration.



Framing



The first byte transmitted by the Master is the Slave Address followed by the R/W bit. The Slave acknowledges by sending a "1" bit.

First Byte Transmitted on I²C Bus

External I²C Interface Condition

KEY:

From Master to Slave

From Master to Slave, but can be omitted if followed by the correct sequence

Normally data transfer is terminated by a STOP condition generated by the Master. However, if the Master still wishes to communicate on the bus, it can generate a repeated START condition, and address another Slave address without first generating a STOP condition.

From Slave to Master

SYMBOLS:

ACK - Acknowledge (SDA LOW)

NACK - Not Acknowledge (SDA HIGH)

Sr - Repeated Start Condition

S - START Condition

P - STOP Condition

EEPROM Interface

The IDT5P49EE602 can store its configuration in an internal EEPROM. The contents of the device's internal programming registers can be saved to the EEPROM by issuing a save instruction (ProgSave) and can be loaded back to the internal programming registers by issuing a restore instruction (ProgRestore).

To initiate a save or restore using I²C, only two bytes are transferred. The Device Address is issued with the read/write bit set to "0", followed by the appropriate command code. The save or restore instruction executes

after the STOP condition is issued by the Master, during which time the IDT5P49EE602 will not generate Acknowledge bits. The IDT5P49EE602 will acknowledge the instructions after it has completed execution of them. During that time, the I²C bus should be interpreted as busy by all other users of the bus.

On power-up of the IDT5P49EE602, an automatic restore is performed to load the EEPROM contents into the internal programming registers. The IDT5P49EE602 will be ready to accept a programming instruction once it acknowledges its 7-bit I²C address.

Progwrite

S	Address	R/W	ACK	Command Code	ACK	Register	ACK	Data	ACK	P
	7-bits	0	1-bit	8-bits: xxxxxx00	1-bit	8-bits	1-bit	8-bits	1-bit	

Progwrite Command Frame

Writes can continue as long as a Stop condition is not sent and each byte will increment the register address.

Proread

Note: If the expected read command is not from the next higher register to the previous read or write command, then set a known “read” register address prior to a read operation by issuing the following command:

S	Address	R/W	ACK	Command Code	ACK	Register	ACK	P
	7-bits	0	1-bit	8-bits: xxxxxx00	1-bit	8-bits	1-bit	

Prior to Proread Command Set Register Address

The user can ignore the STOP condition above and use a repeated START condition instead, straight after the slave acknowledgement bit (i.e., followed by the Proread command):

S	Address	R/W	ACK	ID Byte	ACK	Data_1	ACK	Data_2	ACK	Data_last	NACK	P
	7-bits	1	1-bit	8-bits	1-bit	8-bits	1-bit	8-bits	1-bit	8-bits	1-bit	

Proread Command Frame

Prosave

S	Address	R/W	ACK	Command Code	ACK	P
	7-bits	0	1-bit	8-bits: xxxxxx01	1-bit	

Note:

PROGWRITE is for writing to the IDT5P49EE602 registers.

PROGREAD is for reading the IDT5P49EE602 registers.

PROGSAVE is for saving all the contents of the IDT5P49EE602 registers to the EEPROM.

PROGRESTORE is for loading the entire EEPROM contents to the IDT5P49EE602 registers.

Progestore

S	Address	R/W	ACK	Command Code	ACK	P
	7-bits	0	1-bit	8-bits: xxxxxx10	1-bit	

During PROGRESTORE, outputs will be turned off to ensure that no improper voltage levels are experienced before initialization.

I²C Bus DC Characteristics

Symbol	Parameter	Conditions	Min	Typ	Max	Unit
V _{IH}	Input HIGH Level		0.7xVDDO1		5.5	V
V _{IL}	Input LOW Level				0.3xVDDO1	V
V _{HYS}	Hysteresis of Inputs		0.05xVDDO1			V
I _{IN}	Input Leakage Current	V _{DD} = 0V			±1.0	µA
V _{OL}	Output LOW Voltage	I _{OL} = 3 mA			0.4	V

I²C Bus AC Characteristics for Standard Mode¹

Symbol	Parameter	Min	Typ	Max	Unit
F _{SCLK}	Serial Clock Frequency (SCL)	0		100	kHz
t _{BUF}	Bus free time between STOP and START	4.7			µs
t _{SU:START}	Setup Time, START	4.7			µs
t _{HD:START}	Hold Time, START	4			µs
t _{SU:DATA}	Setup Time, data input (SDA)	250			ns
t _{HD:DATA}	Hold Time, data input (SDA) ²	0			µs
t _{OVD}	Output data valid from clock			3.45	µs
C _B	Capacitive Load for Each Bus Line			400	pF
t _R	Rise Time, data and clock (SDA, SCLK)			1000	ns
t _F	Fall Time, data and clock (SDA, SCLK)			300	ns
t _{HIGH}	HIGH Time, clock (SCLK)	4			µs
t _{LOW}	LOW Time, clock (SCLK)	4.7			µs
t _{SU:STOP}	Setup Time, STOP	4			µs

1) No activity is allowed on I²C lines until VDD>1.62V.

2) A device must internally provide a hold time of at least 300 ns for the SDA signal (referred to the V_{IH}MIN of the SCL signal) to bridge the undefined region of the falling edge of SCL.

I²C Bus AC Characteristics for Fast Mode¹

Symbol	Parameter	Min	Typ	Max	Unit
F _{SCLK}	Serial Clock Frequency (SCL)	0		400	kHz
t _{BUF}	Bus free time between STOP and START	1.3			μs
t _{SU:START}	Setup Time, START	0.6			μs
t _{HD:START}	Hold Time, START	0.6			μs
t _{SU:DATA}	Setup Time, data input (SDA)	100			ns
t _{HD:DATA}	Hold Time, data input (SDA) ²	0			μs
t _{OVD}	Output data valid from clock			0.9	μs
C _B	Capacitive Load for Each Bus Line			400	pF
t _R	Rise Time, data and clock (SDA, SCL)	20 + 0.1xC _B		300	ns
t _F	Fall Time, data and clock (SDA, SCL)	20 + 0.1xC _B		300	ns
t _{HIGH}	HIGH Time, clock (SCL)	0.6			μs
t _{LOW}	LOW Time, clock (SCL)	1.3			μs
t _{SU:STOP}	Setup Time, STOP	0.6			μs

1) No activity is allowed on I²C lines until VDD>1.62V.

2) A device must internally provide a hold time of at least 300 ns for the SDA signal (referred to the V_{IH}MIN of the SCL signal) to bridge the undefined region of the falling edge of SCL.

Absolute Maximum Ratings

Stresses above the ratings listed below can cause permanent damage to the IDT5P49EE602. These ratings, which are standard values for IDT commercially rated parts, are stress ratings only. Functional operation of the device at these or any other conditions above those indicated in the operational sections of the specifications is not implied. Exposure to absolute maximum rating conditions for extended periods can affect product reliability. Electrical parameters are guaranteed only over the recommended operating temperature range.

Symbol	Description	Max	Unit
V _{DD}	Internal Power Supply Voltage	-0.5 to +4.6	V
V _I	Input Voltage	-0.5 to +4.6	V
V _O	Output Voltage (not to exceed 4.6 V)	-0.5 to V _{DD} +0.5	V
T _J	Junction Temperature	150	°C
T _{STG}	Storage Temperature	-65 to +150	°C

Recommended Operation Conditions

Symbol	Parameter	Min	Typ	Max	Unit
V _{DD} , V _{DDX}	Power supply voltage for core VDD	1.71	1.8	1.89	V
V _{DDOX}	Power supply voltage for outputs VDDO1/2/3	1.71	1.8	1.89	V
		2.375	2.5	2.625	V
		3.135	3.3	3.465	V
T _A	Operating temperature, ambient	-40		+85	°C
C _{LOAD_OUT}	Maximum load capacitance (3.3V LVTTTL only)			15	pF
C _{LOAD_OUT}	Maximum load capacitance (1.8V or 2.5V LVTTTL only)			8	pF
F _{IN}	External reference crystal	8		30	MHz
	External reference clock CLKIN	1		40	
t _{PU}	Power up time for all V _{DD} s to reach minimum specified voltage (power ramps must be monotonic)	0.05		5	ms

Capacitance (T_A = +25 °C, f = 1 MHz, V_{IN} = 0V)

Symbol	Parameter	Min	Typ	Max	Unit
C _{IN}	Input Capacitance		3		pF
Crystal Specifications					
XTAL_FREQ	Crystal frequency	8		30	MHz
XTAL_MIN	Minimum crystal load capacitance		7		pF
XTAL_MAX	Maximum crystal load capacitance		20		pF

DC Electrical Characteristics for 3.3 Volt LVTTTL ¹

Symbol	Parameter	Test Conditions	Min	Typ	Max	Unit
V _{OH}	Output HIGH Voltage	I _{OH} = 33mA	2.4		VDDO	V
V _{OL}	Output LOW Voltage	I _{OH} = 33mA			0.4	V
I _{OZDD}	Output Leakage Current	3-state outputs			5	µA

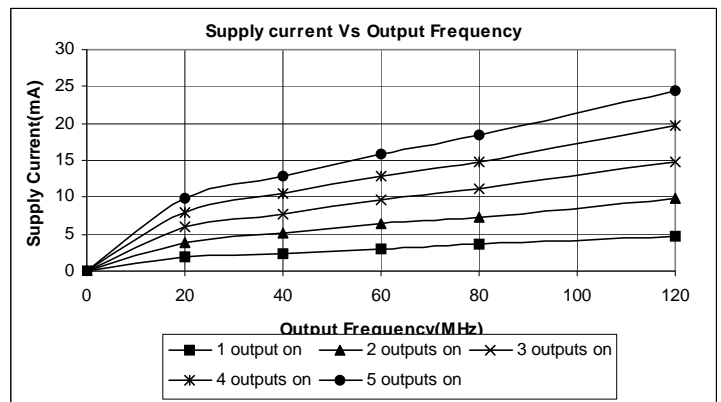
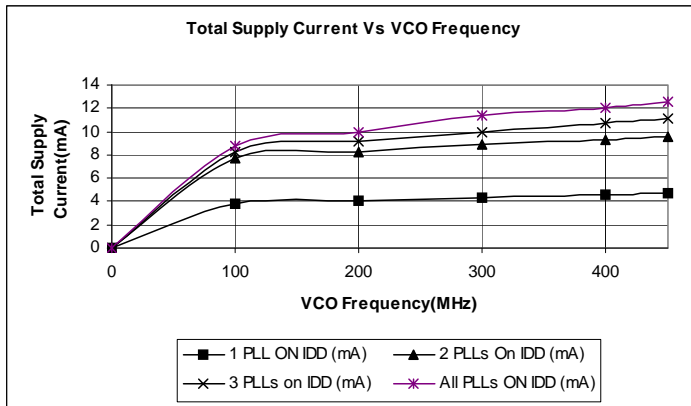
DC Electrical Characteristics for 2.5Volt LVTTTL ¹

Symbol	Parameter	Test Conditions	Min	Typ	Max	Unit
V _{OH}	Output HIGH Voltage	I _{OH} = 25mA	2.1		VDDO	V
V _{OL}	Output LOW Voltage	I _{OH} = 25mA			0.4	V
I _{OZDD}	Output Leakage Current	3-state outputs			5	µA

DC Electrical Characteristics for 1.8Volt LVTTTL ¹

Symbol	Parameter	Test Conditions	Min	Typ	Max	Unit
V _{OH}	Output HIGH Voltage	VDD = 1.71V to 1.89V	0.65*VDDO		VDDO	V
V _{OL}	Output LOW Voltage				0.35*VDDO	V
V _{IH}	Input HIGH Voltage	SEL[1:0], 3.3V tolerant	0.75VDD			V
V _{IL}	Input LOW Voltage	SEL[1:0], 3.3V tolerant			0.25VDD	V
I _{OZDD}	Output Leakage Current	3-state outputs			5	µA

Power Supply Characteristics for LVTTTL Outputs



1: See “Recommended Operating Conditions” table. Always completely power up VDD and VDDx prior to applying VDDO power.

AC Timing Electrical Characteristics

(Spread Spectrum Generation = OFF)

Symbol	Parameter	Test Conditions	Min.	Typ.	Max.	Units
f_{IN}	Input Frequency	Input Frequency Limit (CLKIN)	1 ¹		40	MHz
1 / t1	Output Frequency	Single Ended Clock output limit (LVTTTL) 3.3V	0.001		120	MHz
		Single Ended Clock output limit (LVTTTL) 2.5V			110	MHz
		Single Ended Clock output limit (LVTTTL) 1.8V			100	MHz
f_{VCO}	VCO Frequency	VCO operating Frequency Range	100		475	MHz
f_{PFD}	PFD Frequency	PFD operating Frequency Range	0.300 ¹		20	MHz
t2	Input Duty Cycle	Duty Cycle for Input	40		60	%
t3	Output Duty Cycle	Measured at VDD/2	45		55	%
t4	Slew Rate, SLEWx(bits) = 00	Single-Ended 3.3V LVCMOS Output clock rise and fall time, 20% to 80% of VDD (Output Load = 7 pF)		5.1		V/ns
	Slew Rate, SLEWx(bits) = 01	Single-Ended 3.3V LVCMOS Output clock rise and fall time, 20% to 80% of VDD (Output Load = 7 pF)		4.4		
	Slew Rate, SLEWx(bits) = 10	Single-Ended 3.3V LVCMOS Output clock rise and fall time, 20% to 80% of VDD (Output Load = 7 pF)		2.8		
	Slew Rate, SLEWx(bits) = 11	Single-Ended 3.3V LVCMOS Output clock rise and fall time, 20% to 80% of VDD (Output Load = 7 pF)		1.8		
t5	Clock Jitter	Peak-to-peak period jitter, CLK outputs measured at VDD/2; $f_{PFD} \geq 10$ MHz Single output frequency only.			100	ps
		Peak-to-peak period jitter, CLK outputs measured at VDD/2; $f_{PFD} \geq 10$ MHz Multiple output frequencies switching.			200	ps
t6	Output Skew	Skew between output to output on the same bank			75	ps
		Skew between any output (Same freq and IO type, FOUT >10MHz)			200	ps
t7	Lock Time	PLL Lock Time from Power-up (using MHz reference clock) ²		5	20	ms
		PLL Lock Time from Power-up using 32.768kHz reference clock)		1	3	s
		PLL Lock time from shutdown mode		5	10	ms

1) Input clock (square wave) may be used at 1 MHz.

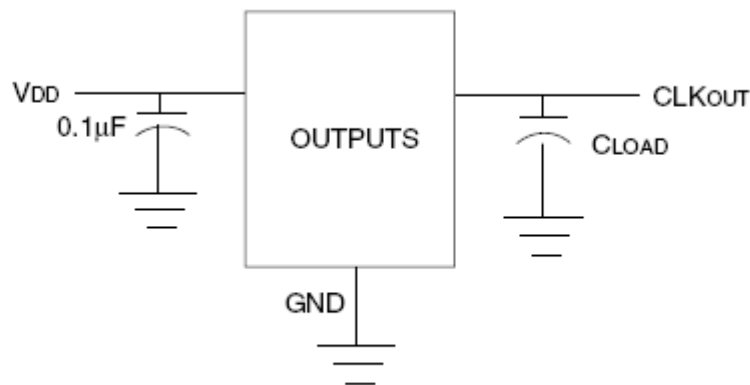
2) Time from supply voltage crosses VDD=1.62V to PLLs are locked.

Spread Spectrum Generation Specifications

Symbol	Parameter	Description	Min	Typ	Max	Unit
f_{IN}	Input Frequency	Input Frequency Limit	1 ¹		40	MHz
f_{MOD}	Mod Frequency	Modulation Frequency	32		120	kHz
f_{SPREAD}	Spread Value	Amount of Spread Value (programmable) - Down Spread	Programmable			% f_{OUT}
		Amount of Spread Value (programmable) - Center Spread	Programmable			
		Total Spread Value	0.5		4.0	

Note 1: Practical lower frequency is determined by loop filter settings.

Test Circuits and Conditions ¹

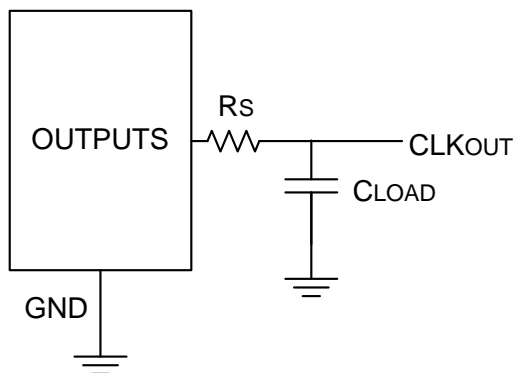


NOTE:

1. All V_{DD} pins must be tied together.

Test Circuits for DC Outputs

Other Termination Scheme (Block Diagram)



LVTTTL: ~7pF for each output

Programming Registers Table

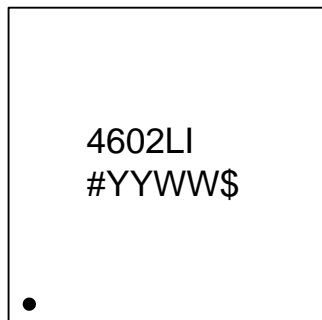
Addr	Default Register Hex Value	Bit #								Description	
		7	6	5	4	3	2	1	0		
0x00	00	ONXTALB	CSX2[1:0]		CSX1[1:0]		XTAL32ONB	Reserved		ONXTALB - MHz Crystal active low CSX2 [1:0]- internal 32kHz crystal cap2 00 - 18pF; 10 - 30pF 01 - 24pF; 11 - 36pF CSX1 [1:0] - Internal 32kHz crystal cap1 00 - 0pF; 10 - 6pF 01 - 3pF; 11 - 9pF XTAL32ONB - 32k crystal active low	
0x01	00	INV[0]	SLEW0[1:0]		No_PD	PS0[2:1]		Reserved		No_PD - Enables/Disables 32kHz clock output on Config 00.	
0x02	00	Reserved									No_PD=0 - 32kHz is off.
0x03	00	Reserved									No_PD=1 - 32kHz remains active.
0x04	00	INV[1]	SLEW1[1:0]		Reserved	PS1[2:1]		Reserved		INV[#] - Invert output#	
0x05	00	Reserved									SLEW#[0:1] - output# slew setting
0x06	00	Reserved									0 0 - 5.1V/ns 0 1 - 4.4V/ns
0x07	00	INV[2]	SLEW2[1:0]		Reserved	PS2[2:1]		Reserved		1 0 - 2.8V/ns 1 1 - 1.8V/ns	
0x08	00	INV[3]	SLEW3[1:0]		Reserved	PS3[2:1]		Reserved		PS#[2:1] -Power Select	
0x09	00	INV[4B]	INV[4A]	SLEW4[0:1]		Reserved				00 - Reserved 01 - CLK# connects to VDDO1 10 - CLK# connects to VDDO2 11 - CLK# connects to VDDO31	
0x0A	00	Reserved									
0x0B	00	Reserved									
0x0C	00	Reserved									
0x0D	00	Reserved									
0x0E	00	REFA[7:0]								Configuration0 REFA[7:0] - Reference Divide PLLA	
0x0F	00	FBA[10:3]								FBA[10:0] - Feedback Divide PLLA	
0x10	00	Reserved				FBA[2:0]					
0x11	00	Reserved	XDIVA	RZA[1:0]		IPA[2:0]		REFSELA		XDIVA - FB predivide PLLA; 0 - /1; 1 - /4 RZA[1:0] - Zero Resistor PLLA 00 - 5kOhm 01 - 10kOhm 10 - 30kOhm 11 - 80kOhm IPA[2:0] - charge Pump Current PLLA 100 - 6.3uA 101 - 11.9 uA 110 - 17.7 uA 111 - 22.7uA REFSELA - Clock input PLLA 0 - MHz input 1 - 32kHz input	
0x12	00	REFB[7:0]								REFB[7:0] - Reference Divide PLLB	
0x13	00	FBB[10:3]								FBB[10:0] - Feedback Divide PLLB	
0x14	00	MOD[4:0]				FBB[2:0]				PLLB Spread Parameters MOD[12:0]	
0x15	00	MOD[12:5]								NC[10:0]	
0x16	00	NC[10:3]								NSS[12:0]	
0x17	00	NSS[4:0]				NC[2:0]					
0x18	00	NSS[12:5]									

Addr	Default Register Hex Value	Bit #								Description
		7	6	5	4	3	2	1	0	
0x19	20	Reserved			IPB[2:0]			RZB[1:0]		RZB[1:0] - Zero Resistor PLLB 00 - 5kOhm 01 - 10kOhm 10 - 30kOhm 11 - 80kOhm IPB[2:0] - charge Pump Current PLLB 000 - 0.37uA, 100 - 6.3uA 001 - 1.1uA, 101 - 11.9uA 010 - 1.8 uA, 110 - 17.7uA 011 - 3.4uA, 111 - 22.7uA REFSELB - Clock input PLLB 0 - MHz input 1 - 32kHz input
0x1A	00	Reserved						REFSELB	SSENB_B	
0x1B	00	REFC[7:0]								REFC[7:0] - Reference Divide PLLC
0x1C	00	FBC[10:3]								FBC[10:0] - Feedback Divide PLLC
0x1D	00	Reserved				FBC[2:0]				FBC2 - Feedback Predivide PLLC Turn on using XDIVC=1
0x1E	00	FBC2[7:0]								
0x1F	00	IPC[2:0]			RZC[1:0]		Reserved	XDIVC	REFSELC	RZC[1:0] - Zero Resistor PLLC 00 - 5kOhm 01 - 10kOhm 10 - 30kOhm 11 - 80kOhm IPC[2:0] - charge Pump Current PLLC 100 - 6.3uA 101 - 11.9 uA 110 - 17.7 uA 111 - 22.7uA REFSELC 0 - MHz input 1 - 32kHz input
0x20	00	REFD[7:0]								REFD[7:0] - Reference Divide PLLD
0x21	00	FBD[10:3]								FBD[10:0] - Feedback Divide PLLD
0x22	00	Reserved				FBD[2:0]				XDIVD - FB predivide PLLD; 0 - /1; 1 - /4 RZD[1:0] - Zero Resistor PLLD 00 - 5kOhm 01 - 10kOhm 10 - 30kOhm 11 - 80kOhm IPD[2:0] - charge Pump Current PLLD 100 - 6.3uA 101 - 11.9 uA 110 - 17.7 uA 111 - 22.7uA REFSELD[1:0] 00 - MHz input 11 - 32kHz input Others - Reserved
0x23	00	XDIVD	RZD[1:0]		IPD[2:0]			REFSELD[1:0]		
0x24	00	OD0[7:0]								OD#[7:0] - Output Divide#
0x25	00									
0x26	00	Reserved								
0x27	00	OD1[7:0]								
0x28	00	Reserved								
0x29	00	Reserved								
0x2A	00	OD2[7:0]								
0x2B	00	OD3[7:0]								
0x2C	00	OD4[7:0]								

Addr	Default Register Hex Value	Bit #								Description	
		7	6	5	4	3	2	1	0		
0x2D	00	SCR4[1:0]		SCR3[1:0]		SCR2[1:0]		Reserved		SRC4[1:0] - OD4 source 00 - off; 10 - PLLC 01 - PLLA; 11 - MHz Reference SRC3[1:0] - OD3 source 00 - off; 10 - PLLA 01 - PLLC; 11 - PLLB SRC2[1:0] - OD2 source 00 - off; 10 - MHz Reference 01 - PLLC; 11 - 32kHz Reference	
0x2E	00	Reserved		SCR1[1:0]		Reserved		Reserved		SRC1[1:0] - OD1 source 00 - off; 10 - PLLB 01 - 32kHz Reference; 11 - PLLD	
0x2F	01	SCR0[1:0]		Reserved						SRC0[1:0] - OD0 source 00 - off; 10 - PLLC 01 - PLLB; 11 - PLLD	
0x30	FF	Reserved									
0x31	00	PDB[4]	Reserved	OE[4B]	OE[4A]	Reserved				PDB[#] - Powerdown OUT#. PDB#=0, OUT# driven low	
0x32	00	OE[3]	OE[2]	Reserved	Reserved	OE[1]	Reserved	Reserved	OE[0]	OE[#] - Output enable OUT#. OE#=0, OUT# tri-stated.	
0x33	00	PDB[3]	PDB[2]	Reserved	Reserved	PDB[1]	Reserved	Reserved	PDB[0]	If PDB#=OE#=0, OUT# driven low	
0x34	00	REFA[7:0]								Configuration1 (See definitions from Configuration0 above)	
0x35	00	FBA[10:3]									
0x36	00	Reserved				FBA[2:0]					
0x37	00	Reserved	XDIVA	RZA[1:0]		IPA[2:0]		REFSELA			
0x38	00	REFB[7:0]									
0x39	00	FBB[10:3]									
0x3A	00	MOD[4:0]				FBB[2:0]					
0x3B	00	MOD[12:5]									
0x3C	00	NC[10:3]									
0x3D	00	NSS[4:0]				NC[2:0]					
0x3E	00	NSS[12:5]									
0x3F	40	Reserved			IPB[2:0]			RZB[1:0]			
0x40	00	Reserved						REFSELB	SSENB_B		
0x41	00	REFC[7:0]									
0x42	00	FBC[10:3]									
0x43	00	Reserved				FBC[2:0]					
0x44	00	FBC2[7:0]									
0x45	00	IPC[2:0]			RZC[1:0]		Reserved	XDIV	REFSELC		
0x46	00	REFD[7:0]									
0x47	00	FBD[10:3]									
0x48	00	Reserved				FBD[2:0]					
0x49	00	XDIVD	RZD[1:0]		IPD[2:0]			REFSELD[1:0]			
0x4A	00	OD0[7:0]									
0x4B	00	Reserved									
0x4C	00	Reserved									
0x4D	00	OD1[7:0]									
0x4E	00	Reserved									
0x4F	00	Reserved									
0x50	00	OD2[7:0]									
0x51	00	OD3[7:0]									
0x52	00	OD4[7:0]									
0x53	00	SCR4[1:0]		SCR3[1:0]		SCR2[1:0]		Reserved			
0x54	00	Reserved		SCR1[1:0]		Reserved		Reserved			
0x55	01	SCR0[1:0]		Reserved							
0x56	FF	Reserved									
0x57	00	PDB[4]	Reserved	OE[4B]	OE[4A]	Reserved					
0x58	00	OE[3]	OE[2]	Reserved	Reserved	OE[1]	Reserved	Reserved	OE[0]		
0x59	00	PDB[3]	PDB[2]	Reserved	Reserved	PDB[1]	Reserved	Reserved	PDB[0]		

Addr	Default Register Hex Value	Bit #								Description
		7	6	5	4	3	2	1	0	
0x5A	00	REFA[7:0]								Configuration2 (See definitions from Configuration0 above)
0x5B	00	FBA[10:3]								
0x5C	00	Reserved				FBA[2:0]				
0x5D	00	Reserved	XDIVA	RZA[1:0]		IPA[2:0]		REFSELA		
0x5E	00	REFB[7:0]								
0x5F	00	FBB[10:3]								
0x60	00	MOD[4:0]				FBB[2:0]				
0x61	00	MOD[12:5]								
0x62	00	NC[10:3]								
0x63	00	NSS[4:0]				NC[2:0]				
0x64	00	NSS[12:5]								
0x65	40	Reserved		IPB[2:0]			RZB[1:0]			
0x66	00	Reserved				REFSELB	SSENB_B			
0x67	00	REFC[7:0]								
0x68	00	FBC[10:3]								
0x69	00	Reserved				FBC[2:0]				
0x6A	00	FBC2[7:0]								
0x6B	00	IPC[2:0]		RZC[1:0]		Reserved	XDIV	REFSELC		
0x6C	00	REFD[7:0]								
0x6D	00	FBD[10:3]								
0x6E	00	Reserved				FBD[2:0]				
0x6F	00	XDIVD	RZD[1:0]		IPD[2:0]		REFSELD[1:0]			
0x70	00	OD0[7:0]								
0x71	00	Reserved								
0x72	00	Reserved								
0x73	00	OD1[7:0]								
0x74	00	Reserved								
0x75	00	Reserved								
0x76	00	OD2[7:0]								
0x77	00	OD3[7:0]								
0x78	00	OD4[7:0]								
0x79	00	SCR4[1:0]		SCR3[1:0]		SCR2[1:0]		Reserved		
0x7A	00	Reserved		SCR1[1:0]		Reserved		Reserved		
0x7B	01	SCR0[1:0]		Reserved						
0x7C	FF	Reserved								
0x7D	00	PDB[4]	Reserved	OE[4B]	OE[4A]	Reserved				
0x7E	00	OE[3]	OE[2]	Reserved	Reserved	OE[1]	Reserved	Reserved	OE[0]	
0x7F	00	PDB[3]	PDB[2]	Reserved	Reserved	PDB[1]	Reserved	Reserved	PDB[0]	

Marking Diagram (NL24)



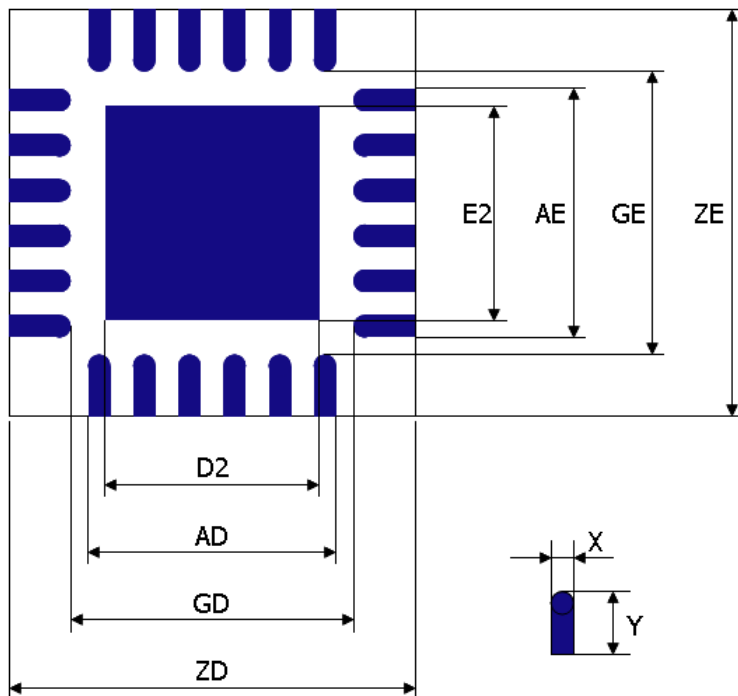
Notes:

1. “#” is the lot number.
2. YYWW is the last two digits of the year and week that the part was assembled.
3. “\$” is the assembly mark code.
4. “I” indicates industrial temperature range.

Thermal Characteristics for 24QFN

Parameter	Symbol	Conditions	Min.	Typ.	Max.	Units
Thermal Resistance Junction to Ambient	θ_{JA}	Still air		50.1		°C/W
	θ_{JA}	1 m/s air flow		43.1		°C/W
	θ_{JA}	2.5 m/s air flow		39.4		°C/W
Thermal Resistance Junction to Case	θ_{JC}			61.7		°C/W

Landing Pattern

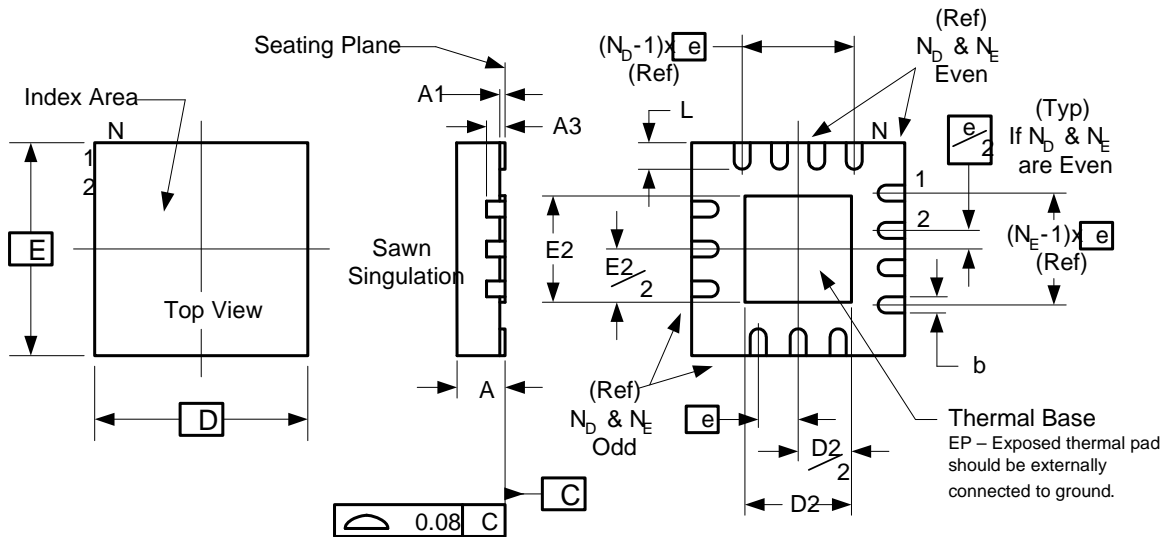


Dimensions	
X(max)	0.28
Yref	0.69
A(max)	2.78
G(min)	2.93
Z(max)	4.31
E2/D2(max)	2.63

Unit : mm

Package Outline and Package Dimensions (24-pin 4mm x 4mm QFN)

Package dimensions are kept current with JEDEC Publication No. 95



Symbol	Millimeters	
	Min	Max
A	0.80	1.00
A1	0	0.05
A3	0.25 Reference	
b	0.18	0.30
e	0.50 BASIC	
N	24	
ND	6	
NE	6	
D x E BASIC	4.00 x 4.00	
D2	2.3	2.55
E2	2.3	2.55
L	0.30	0.50

Ordering Information

Part / Order Number	Marking	Shipping Packaging	Package	Temperature
5P49EE602NLGI	See page 22	Tubes	24pin VFQFPN	-40 to +85° C
5P49EE602NLGI8	See page 22	Tape and Reel	24pin VFQFPN	-40 to +85° C

“G” after the two-letter package code are the Pb-Free configuration and are RoHS compliant.

While the information presented herein has been checked for both accuracy and reliability, Integrated Device Technology (IDT) assumes no responsibility for either its use or for the infringement of any patents or other rights of third parties, which would result from its use. No other circuits, patents, or licenses are implied. This product is intended for use in normal commercial applications. Any other applications such as those requiring extended temperature range, high reliability, or other extraordinary environmental requirements are not recommended without additional processing by IDT. IDT reserves the right to change any circuitry or specifications without notice. IDT does not authorize or warrant any IDT product for use in life support devices or critical medical instruments.

Revision History

Rev.	Originator	Date	Description of Change
--	R.Willner	10/16/09	Preliminary Datasheet release.
A	R.Willner	11/20/09	No_PD bit inclusion - 32kHz clock on/off in Config 00.
B	R.Willner	3/26/10	Typographical changes. Correct spread spectrum calculations.
C	R.Willner	6/11/10	Typographical changes. Default conditions.
D	R.Willner	9/08/10	Updated thermal pad and dimensions on package drawing. Input Clock max voltage swing 1.8V. Power ramp sequence.
E	R. Willner	10/29/10	Typographical changes. Loop filter calculations. Default register bit corrections.
F	R. Willner	01/19/11	Corrected notes for top-side marking.
G	R. Willner	04/13/11	1. Updated SCLK and SDA pin descriptions 2. Updated DC Electrical Char table for 1.8V LVTTL; added VIH and VIL. 3. Updated "Lock Time/PLL Lock Time from shutdown mode" Typ. and Max. specs in AC Timing Electrical Char table.
H	R. Willner	05/04/11	Added Landing Pattern diagram.
J	A.T.	09/29/11	Updated Power-up/Power-down Sequence notes.
K	R. Willner	10/13/11	Added VDDO power sequencing time and VDDO limits.
L	R. Willner	11/18/14	1. Added pin 1 indicator dot on marking diagram. 2. Corrected typo in Register Map table; SLEWx[0:1] was changed to SLEWx[1:0]

IDT5P49EE602

VERSACLOCK® LOW POWER CLOCK GENERATOR

EEPROM CLOCK GENERATOR

IMPORTANT NOTICE AND DISCLAIMER

RENESAS ELECTRONICS CORPORATION AND ITS SUBSIDIARIES (“RENESAS”) PROVIDES TECHNICAL SPECIFICATIONS AND RELIABILITY DATA (INCLUDING DATASHEETS), DESIGN RESOURCES (INCLUDING REFERENCE DESIGNS), APPLICATION OR OTHER DESIGN ADVICE, WEB TOOLS, SAFETY INFORMATION, AND OTHER RESOURCES “AS IS” AND WITH ALL FAULTS, AND DISCLAIMS ALL WARRANTIES, EXPRESS OR IMPLIED, INCLUDING, WITHOUT LIMITATION, ANY IMPLIED WARRANTIES OF MERCHANTABILITY, FITNESS FOR A PARTICULAR PURPOSE, OR NON-INFRINGEMENT OF THIRD PARTY INTELLECTUAL PROPERTY RIGHTS.

These resources are intended for developers skilled in the art designing with Renesas products. You are solely responsible for (1) selecting the appropriate products for your application, (2) designing, validating, and testing your application, and (3) ensuring your application meets applicable standards, and any other safety, security, or other requirements. These resources are subject to change without notice. Renesas grants you permission to use these resources only for development of an application that uses Renesas products. Other reproduction or use of these resources is strictly prohibited. No license is granted to any other Renesas intellectual property or to any third party intellectual property. Renesas disclaims responsibility for, and you will fully indemnify Renesas and its representatives against, any claims, damages, costs, losses, or liabilities arising out of your use of these resources. Renesas' products are provided only subject to Renesas' Terms and Conditions of Sale or other applicable terms agreed to in writing. No use of any Renesas resources expands or otherwise alters any applicable warranties or warranty disclaimers for these products.

(Rev.1.0 Mar 2020)

Corporate Headquarters

TOYOSU FORESIA, 3-2-24 Toyosu,
Koto-ku, Tokyo 135-0061, Japan
www.renesas.com

Contact Information

For further information on a product, technology, the most up-to-date version of a document, or your nearest sales office, please visit:
www.renesas.com/contact/

Trademarks

Renesas and the Renesas logo are trademarks of Renesas Electronics Corporation. All trademarks and registered trademarks are the property of their respective owners.