

This IC, developed by CMOS technology, is a high-accuracy Hall effect IC that operates with high temperature and high-withstand voltage.

The IC switches output voltage level when the IC detects magnetic flux density (magnetic field) polarity changes. The Zero Crossing Latch detection method realizes polarity changes detection with the higher accuracy than the conventional bipolar latch method. Using this IC with a magnet makes it possible to detect the rotation status in various devices.

ABLIC Inc. offers a "magnetic simulation service" that provides the ideal combination of magnets and our Hall effect ICs for customer systems. Our magnetic simulation service will reduce prototype production, development period and development costs. In addition, it will contribute to optimization of parts to realize high cost performance.

For more information regarding our magnetic simulation service, contact our sales representatives.

**Caution** This product can be used in vehicle equipment and in-vehicle equipment. Before using the product for these purposes, it is imperative to contact our sales representatives.

## ■ Features

- Uses a thin (t0.80 mm max.) TSOT-23-3S or ultra-thin (t0.50 mm max.) HSNT-6(2025) package, allowing for device miniaturization
- Contributes to reduction of mechanism operation dispersion through high accuracy detection of magnetic flux density (magnetic field) polarity changes
- Suitable for devices which require high quality due to the production system of this IC which certifies automotive application quality
- Contributes to device safe design with a built-in reverse voltage protection circuit and output current limit circuit

## ■ Specifications

- Pole detection: Zero Crossing Latch detection
- Output logic\*1:  $V_{OUT} = "L"$  at S pole detection  
 $V_{OUT} = "H"$  at S pole detection
- Output form\*1: Nch open-drain output  
Nch driver + built-in pull-up resistor (1.2 kΩ typ.)
- Zero crossing latch point:  $B_z = 0.0$  mT typ.
- Release point (S pole)\*1:  $B_{RS} = 3.0$  mT typ.  
 $B_{RS} = 6.0$  mT typ.
- Chopping frequency:  $f_c = 500$  kHz typ.
- Output delay time:  $t_D = 8.0$  μs typ.
- Power supply voltage range\*2:  $V_{DD} = 2.7$  V to 26.0 V
- Built-in regulator
- Built-in reverse voltage protection circuit
- Built-in output current limit circuit
- Operation temperature range:  $T_a = -40^{\circ}\text{C}$  to  $+150^{\circ}\text{C}$
- Lead-free (Sn 100%), halogen-free
- AEC-Q100 in process\*3

\*1. The option can be selected.

\*2.  $V_{DD} = 2.7$  V to 5.5 V when output form is Nch driver + built-in pull-up resistor (1.2 kΩ typ.)

\*3. Contact our sales representatives for details.

## ■ Applications

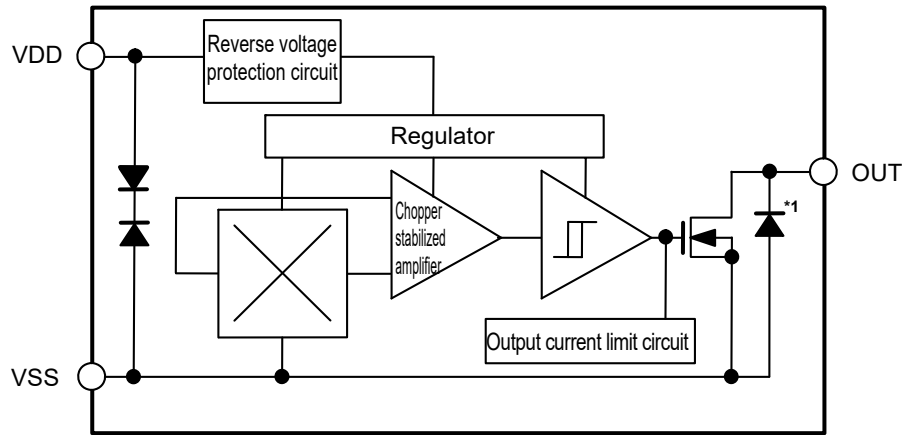
- DC brushless motor for automotive applications
- Automobile equipment
- Housing equipment
- Industrial equipment

## ■ Packages

- TSOT-23-3S
- HSNT-6(2025)

■ **Block Diagrams**

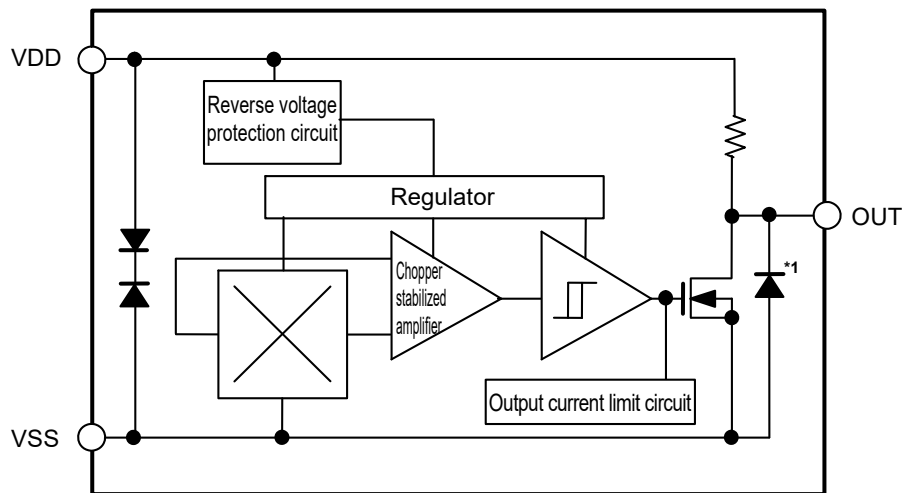
1. **Nch open-drain output product**



\*1. Parasitic diode

**Figure 1**

2. **Nch driver + built-in pull-up resistor product**



\*1. Parasitic diode

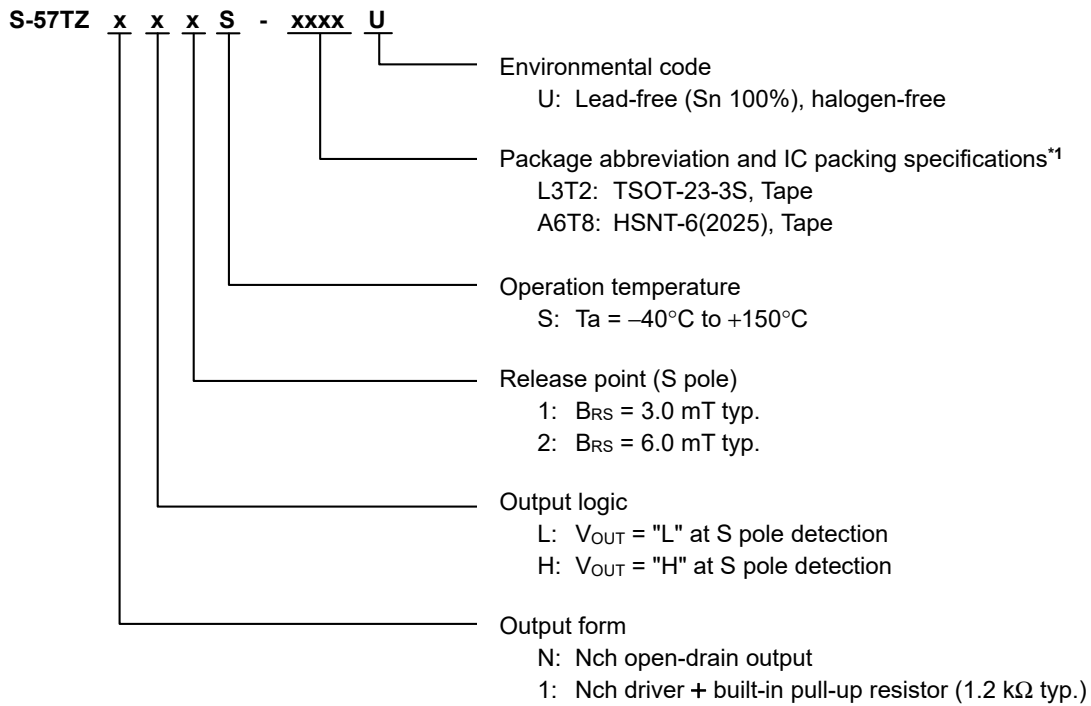
**Figure 2**

■ AEC-Q100 in Process

Contact our sales representatives for details of AEC-Q100 reliability specification.

■ Product Name Structure

1. Product name



\*1. Refer to the tape drawing.

2. Packages

Table 1 Package Drawing Codes

Package Name	Dimension	Tape	Reel	Land	Stencil Opening
TSOT-23-3S	MP003-E-P-SD	MP003-E-C-SD	MP003-E-R-SD	-	-
HSNT-6(2025)	PJ006-B-P-SD	PJ006-B-C-SD	PJ006-B-R-SD	PJ006-B-LM-SD	PJ006-B-LM-SD

**3. Product name list**

**3.1 TSOT-23-3S**

**Table 2**

Product Name	Output Form	Power Supply Voltage Range	Output Logic	Release Point (S pole) (BRS)
S-57TZNL1S-L3T2U	Nch open-drain output	$V_{DD} = 2.7 \text{ V to } 26.0 \text{ V}$	$V_{OUT} = "L"$ at S pole detection	3.0 mT typ.
S-57TZ1L1S-L3T2U	Nch driver + built-in pull-up resistor (1.2 kΩ typ.)	$V_{DD} = 2.7 \text{ V to } 5.5 \text{ V}$	$V_{OUT} = "L"$ at S pole detection	3.0 mT typ.

**Remark** Please contact our sales representatives for products other than the above.

**3.2 HSNT-6(2025)**

**Table 3**

Product Name	Output Form	Power Supply Voltage Range	Output Logic	Release Point (S pole) (BRS)
S-57TZNL1S-A6T8U	Nch open-drain output	$V_{DD} = 2.7 \text{ V to } 26.0 \text{ V}$	$V_{OUT} = "L"$ at S pole detection	3.0 mT typ.
S-57TZ1L1S-A6T8U	Nch driver + built-in pull-up resistor (1.2 kΩ typ.)	$V_{DD} = 2.7 \text{ V to } 5.5 \text{ V}$	$V_{OUT} = "L"$ at S pole detection	3.0 mT typ.

**Remark** Please contact our sales representatives for products other than the above.

## ■ Pin Configurations

### 1. TSOT-23-3S

Top view

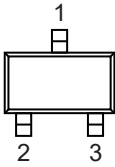


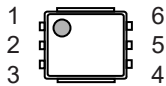
Figure 3

Table 4

Pin No.	Symbol	Description
1	VSS	GND pin
2	VDD	Power supply pin
3	OUT	Output pin

### 2. HSNT-6(2025)

Top view



Bottom view

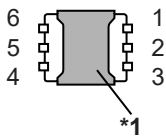


Figure 4

Table 5

Pin No.	Symbol	Description
1	VDD	Power supply pin
2	NC*2	No connection
3	OUT	Output pin
4	NC*2	No connection
5	VSS	GND pin
6	NC*2	No connection

\*1. Connect the heatsink of backside at shadowed area to the board, and set electric potential open or GND. However, do not use it as the function of electrode.

\*2. The NC pin is electrically open.  
 The NC pin can be connected to the VDD pin or the VSS pin.

■ **Absolute Maximum Ratings**

Table 6

Item		Symbol	Absolute Maximum Rating	Unit
Power supply voltage	Nch open-drain output product	V <sub>DD</sub>	V <sub>SS</sub> – 28.0 to V <sub>SS</sub> + 28.0	V
	Nch driver + built-in pull-up resistor (1.2 kΩ typ.) product		V <sub>SS</sub> – 9.0 to V <sub>SS</sub> + 9.0	V
Power supply current		I <sub>DD</sub>	±10	mA
Output current		I <sub>OUT</sub>	±10	mA
Output voltage	Nch open-drain output product	V <sub>OUT</sub>	V <sub>SS</sub> – 0.3 to V <sub>SS</sub> + 28.0	V
	Nch driver + built-in pull-up resistor (1.2 kΩ typ.) product		V <sub>SS</sub> – 0.3 to V <sub>DD</sub> + 0.3	V
Junction temperature		T <sub>j</sub>	–40 to +170	°C
Operation ambient temperature		T <sub>opr</sub>	–40 to +150	°C
Storage temperature		T <sub>stg</sub>	–40 to +170	°C

**Caution** The absolute maximum ratings are rated values exceeding which the product could suffer physical damage. These values must therefore not be exceeded under any conditions.

■ **Thermal Resistance Value**

Table 7

Item	Symbol	Condition	Min.	Typ.	Max.	Unit	
Junction-to-ambient thermal resistance*1	θ <sub>JA</sub>	TSOT-23-3S	Board A	–	225	–	°C/W
			Board B	–	190	–	°C/W
			Board C	–	–	–	°C/W
			Board D	–	–	–	°C/W
			Board E	–	–	–	°C/W
		HSNT-6(2025)	Board A	–	180	–	°C/W
			Board B	–	128	–	°C/W
			Board C	–	43	–	°C/W
			Board D	–	44	–	°C/W
			Board E	–	36	–	°C/W

\*1. Test environment: compliance with JEDEC STANDARD JESD51-2A

**Remark** Refer to "■ Power Dissipation" and "Test Board" for details.

■ Electrical Characteristics

1. Nch open-drain output product

Table 8

(Ta = -40°C to +150°C, V<sub>DD</sub> = 2.7 V to 26.0 V, V<sub>SS</sub> = 0 V unless otherwise specified)

Item	Symbol	Condition	Min.	Typ.*1	Max.	Unit	Test Circuit
Power supply voltage	V <sub>DD</sub>	–	2.7	12.0	26.0	V	–
Current consumption	I <sub>DD</sub>	–	–	4.0	4.5	mA	1
Current consumption during reverse connection	I <sub>DDREV</sub>	V <sub>DD</sub> = -26.0 V	-0.1	–	–	mA	1
Low level output voltage	V <sub>OL</sub>	I <sub>OUT</sub> = 5 mA, V <sub>OUT</sub> = "L"	–	–	0.4	V	2
Leakage current	I <sub>LEAK</sub>	V <sub>OUT</sub> = "H"	–	–	10	μA	3
Output limit current	I <sub>OM</sub>	V <sub>OUT</sub> = 12.0 V	11	–	35	mA	3
Output delay time*2	t <sub>D</sub>	–	–	8	16	μs	–
Chopping frequency*2	f <sub>C</sub>	–	250	500	–	kHz	–
Start up time*2	t <sub>PON</sub>	–	–	25	40	μs	4
Output rise time*2	t <sub>R</sub>	C = 20 pF, R = 820 Ω	–	–	1.0	μs	5
Output fall time*2	t <sub>F</sub>	C = 20 pF, R = 820 Ω	–	–	1.0	μs	5

\*1. Typ. value when Ta = +25°C, V<sub>DD</sub> = 12.0 V.

\*2. This item is guaranteed by design.

2. Nch driver + built-in pull-up resistor (1.2 kΩ typ.) product

Table 9

(Ta = -40°C to +150°C, V<sub>DD</sub> = 2.7 V to 5.5 V, V<sub>SS</sub> = 0 V unless otherwise specified)

Item	Symbol	Condition	Min.	Typ.*1	Max.	Unit	Test Circuit
Power supply voltage	V <sub>DD</sub>	–	2.7	5.0	5.5	V	–
Current consumption	I <sub>DD</sub>	V <sub>OUT</sub> = "H"	–	4.0	4.5	mA	1
Low level output voltage	V <sub>OL</sub>	I <sub>OUT</sub> = 0 mA, V <sub>OUT</sub> = "L"	–	–	0.4	V	2
High level output voltage	V <sub>OH</sub>	I <sub>OUT</sub> = 0 mA, V <sub>OUT</sub> = "H"	V <sub>DD</sub> × 0.9	–	–	V	2
Output limit current	I <sub>OM</sub>	V <sub>DD</sub> = V <sub>OUT</sub> = 5.0 V	11	–	35	mA	3
Output delay time*2	t <sub>D</sub>	–	–	8	16	μs	–
Chopping frequency*2	f <sub>C</sub>	–	250	500	–	kHz	–
Start up time*2	t <sub>PON</sub>	–	–	25	40	μs	4
Output rise time*2	t <sub>R</sub>	C = 20 pF	–	–	1.0	μs	5
Output fall time*2	t <sub>F</sub>	C = 20 pF	–	–	1.0	μs	5
Pull-up resistor	R <sub>L</sub>	–	0.9	1.2	1.5	kΩ	–

\*1. Typ. value when Ta = +25°C, V<sub>DD</sub> = 5.0 V.

\*2. This item is guaranteed by design.

**Caution** Due to limitation of the power dissipation, these values may not be satisfied. Attention should be paid to the power dissipation when using this IC in high temperature operation environments.

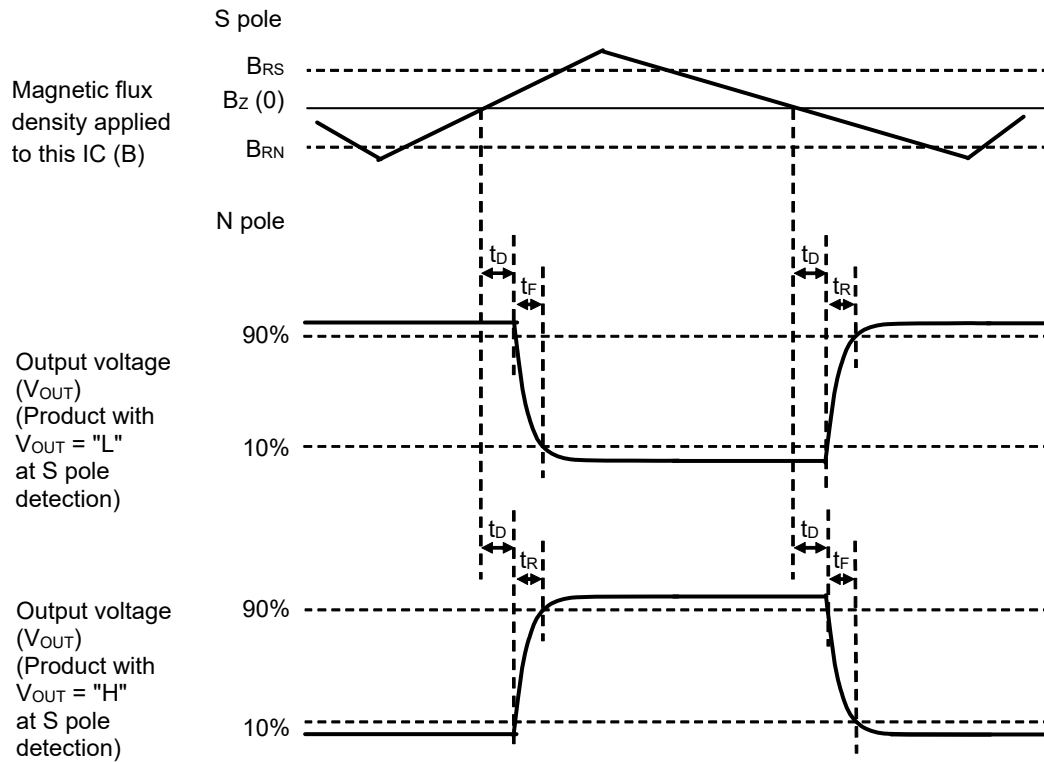


Figure 5 Operation Timing



## ■ Magnetic Characteristics

### 1. TSOT-23-3S

#### 1.1 Product with $B_{RS} = 3.0$ mT typ.

Table 10

( $T_a = +25^\circ\text{C}$ ,  $V_{DD} = 5.0$  V,  $V_{SS} = 0$  V unless otherwise specified)

Item	Symbol	Condition	Min.	Typ.	Max.	Unit	Test Circuit	
Zero crossing latch point	$B_Z^{*1}$	–	-1.15	0.0	1.15	mT	4	
Release point	S pole	$B_{RS}^{*2}$	–	1.9	3.0	4.1	mT	4
	N pole	$B_{RN}^{*3}$	–	-4.1	-3.0	-1.9	mT	4

#### 1.2 Product with $B_{RS} = 6.0$ mT typ.

Table 11

( $T_a = +25^\circ\text{C}$ ,  $V_{DD} = 5.0$  V,  $V_{SS} = 0$  V unless otherwise specified)

Item	Symbol	Condition	Min.	Typ.	Max.	Unit	Test Circuit	
Zero crossing latch point	$B_Z^{*1}$	–	-1.35	0.0	1.35	mT	4	
Release point	S pole	$B_{RS}^{*2}$	–	4.0	6.0	8.0	mT	4
	N pole	$B_{RN}^{*3}$	–	-8.0	-6.0	-4.0	mT	4

### 2. HSNT-6(2025)

#### 2.1 Product with $B_{RS} = 3.0$ mT typ.

Table 12

( $T_a = +25^\circ\text{C}$ ,  $V_{DD} = 5.0$  V,  $V_{SS} = 0$  V unless otherwise specified)

Item	Symbol	Condition	Min.	Typ.	Max.	Unit	Test Circuit	
Zero crossing latch point	$B_Z^{*1}$	–	-1.65	0.0	1.65	mT	4	
Release point	S pole	$B_{RS}^{*2}$	–	1.0	3.0	5.0	mT	4
	N pole	$B_{RN}^{*3}$	–	-5.0	-3.0	-1.0	mT	4

#### 2.2 Product with $B_{RS} = 6.0$ mT typ.

Table 13

( $T_a = +25^\circ\text{C}$ ,  $V_{DD} = 5.0$  V,  $V_{SS} = 0$  V unless otherwise specified)

Item	Symbol	Condition	Min.	Typ.	Max.	Unit	Test Circuit	
Zero crossing latch point	$B_Z^{*1}$	–	-1.75	0.0	1.75	mT	4	
Release point	S pole	$B_{RS}^{*2}$	–	3.5	6.0	8.5	mT	4
	N pole	$B_{RN}^{*3}$	–	-8.5	-6.0	-3.5	mT	4

\*1.  $B_Z$  : Zero crossing latch point

$B_Z$  is the value of magnetic flux density at which polarity changes are detected according to the magnetic flux density applied to this IC.

\*2.  $B_{RS}$  : Release point (S pole)

$B_{RS}$  is the value of magnetic flux density of release point (S pole).

This IC releases the Hold status of the output voltage ( $V_{OUT}$ ) when the magnetic flux density applied to this IC exceeds  $B_{RS}$  (by moving the magnet (S pole) closer).

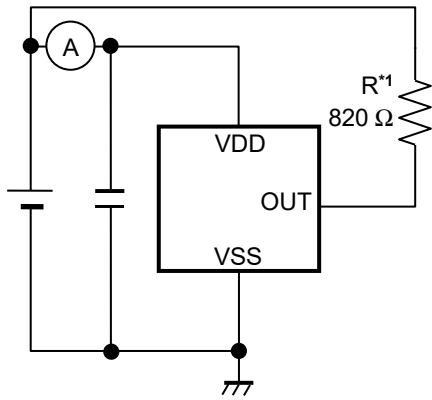
\*3.  $B_{RN}$  : Release point (N pole)

$B_{RN}$  is the value of magnetic flux density of release point (N pole).

This IC releases the Hold status of the output voltage ( $V_{OUT}$ ) when the magnetic flux density applied to this IC exceeds  $B_{RN}$  (by moving the magnet (N pole) closer).

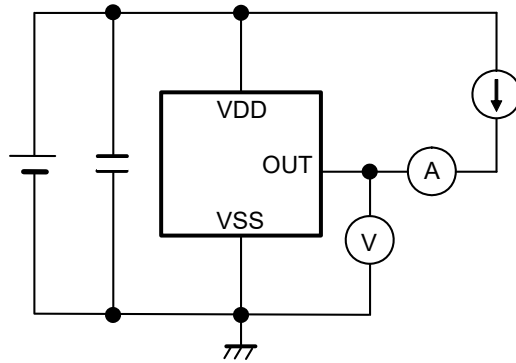
**Remark** The unit of magnetic density mT can be converted by using the formula 1 mT = 10 Gauss.

■ Test Circuits

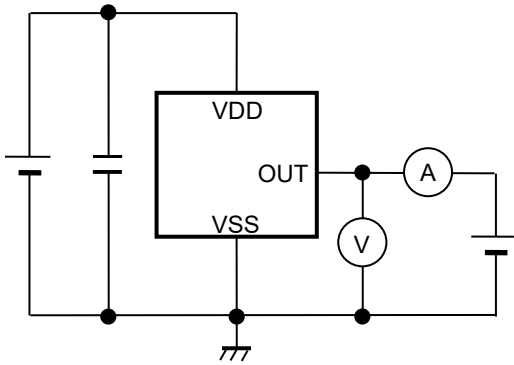


\*1. Resistor (R) is unnecessary for Nch driver + built-in pull-up resistor product.

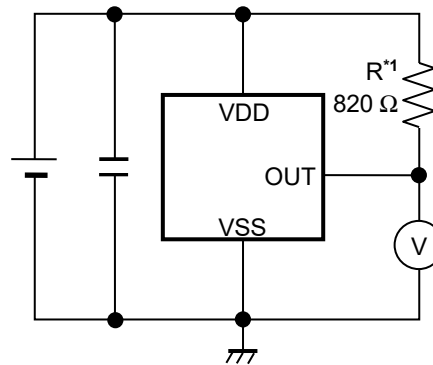
**Figure 6 Test Circuit 1**



**Figure 7 Test Circuit 2**

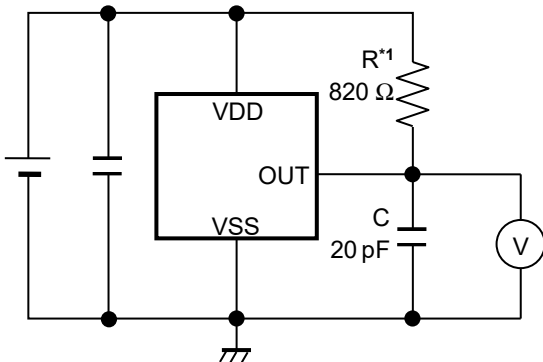


**Figure 8 Test Circuit 3**



\*1. Resistor (R) is unnecessary for Nch driver + built-in pull-up resistor product.

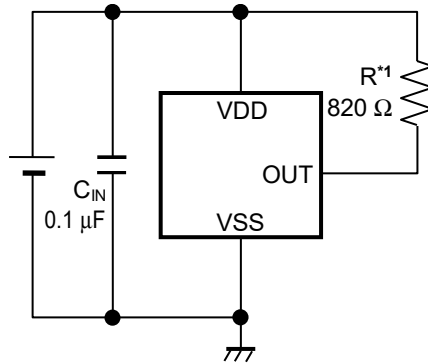
**Figure 9 Test Circuit 4**



\*1. Resistor (R) is unnecessary for Nch driver + built-in pull-up resistor product.

**Figure 10 Test Circuit 5**

■ Standard Circuit



\*1. Resistor (R) is unnecessary for Nch driver + built-in pull-up resistor product.

Figure 11

**Caution** The above connection diagram and constants will not guarantee successful operation. Perform thorough evaluation using the actual application to set the constants.

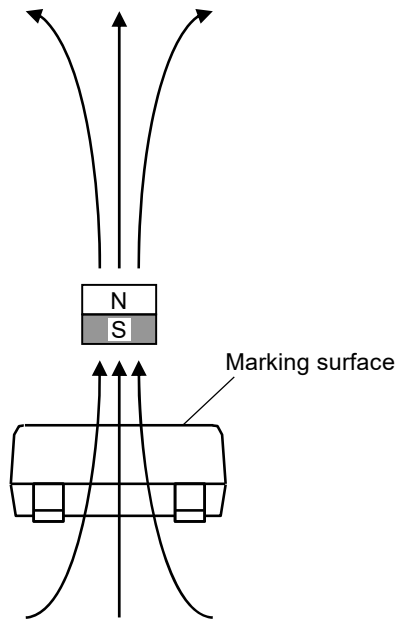
■ **Operation**

**1. Direction of applied magnetic flux**

This IC detects the magnetic flux density which is perpendicular to the package marking surface. A magnetic field is defined as positive when marking side of the package is the S pole, and negative when it is the N pole.

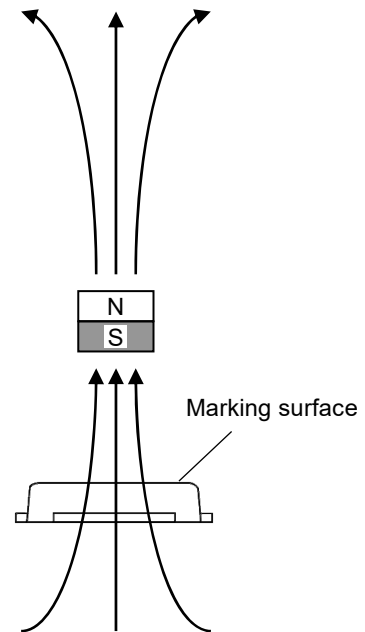
**Figure 12** and **Figure 13** show polarity in a magnetic field and direction in which magnetic flux is being applied.

**1.1 TSOT-23-3S**



**Figure 12**

**1.2 HSNT-6(2025)**



**Figure 13**

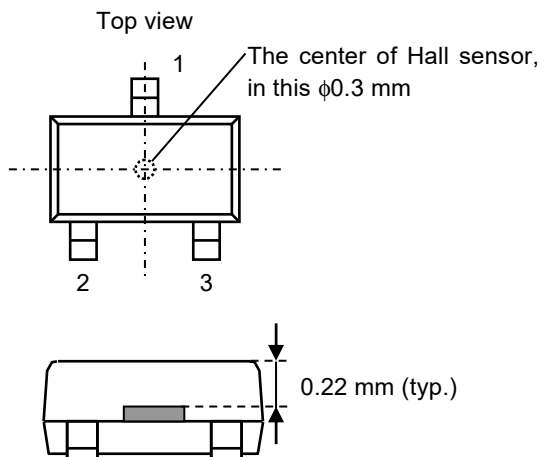
**2. Position of Hall sensor**

**Figure 14** and **Figure 15** show the position of Hall sensor.

The center of this Hall sensor is located in the area indicated by a circle, which is in the center of a package as described below.

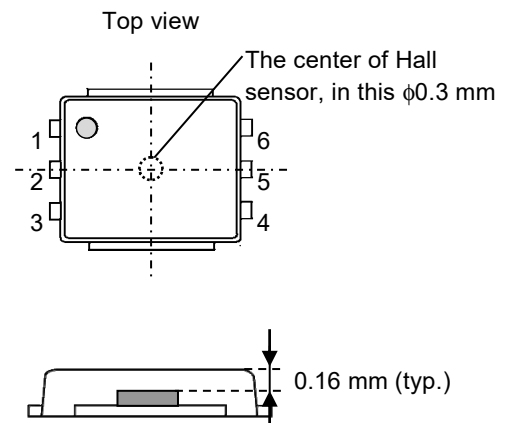
The following also shows the distance (typ. value) between the marking surface and the chip surface of a package.

**2.1 TSOT-23-3S**



**Figure 14**

**2.2 HSNT-6(2025)**



**Figure 15**

### 3. Basic operation

This IC switches output voltage level ( $V_{OUT}$ ) when the IC detects magnetic flux density (magnetic field) polarity changes by using Zero Crossing Latch technology. Zero Crossing Latch technology realizes polarity changes detection and hold operation (Hold status) of  $V_{OUT}$ . This is different from the conventional bipolar latch method. Zero Crossing Latch detection method has no hysteresis width of the magnetic sensitivity to switch  $V_{OUT}$ . Instead, the Zero Crossing Latch detection method can switch  $V_{OUT}$  without chattering by using the Hold status.

#### 3.1 Zero Crossing Latch basic operation

This IC switches  $V_{OUT}$  after the output delay time ( $t_D$ ) from when the magnetic flux density applied to this IC crosses  $B_Z$  (from  $B > B_{RS}$  to  $B < B_Z$  or from  $B < B_{RN}$  to  $B > B_Z$ ). When  $V_{OUT}$  is switched, this IC starts the Hold status. In the Hold status of  $V_{OUT}$ , when the magnetic flux density applied to this IC exceeds  $B_{RS}$  or  $B_{RN}$ , this IC releases the Hold status (from  $B < B_Z$  to  $B < B_{RN}$  or from  $B > B_Z$  to  $B > B_{RS}$ ).

Figure 16 and Figure 17 show the  $V_{OUT}$  operation timing when sine wave magnetic flux density is applied to this IC.

- (1)  $B > B_{RS} \rightarrow B < B_Z$ , and after  $t_D$ ,  $V_{OUT} = "L" \rightarrow "H"$ , and Hold status starts
- (2)  $B < B_Z \rightarrow B < B_{RN}$ , and after  $t_D$ , Hold status is released, and  $V_{OUT} = "H"$  continues
- (3)  $B < B_{RN} \rightarrow B > B_Z$ , and after  $t_D$ ,  $V_{OUT} = "H" \rightarrow "L"$ , and Hold status starts
- (4)  $B > B_Z \rightarrow B > B_{RS}$ , and after  $t_D$ , Hold status is released, and  $V_{OUT} = "L"$  continues

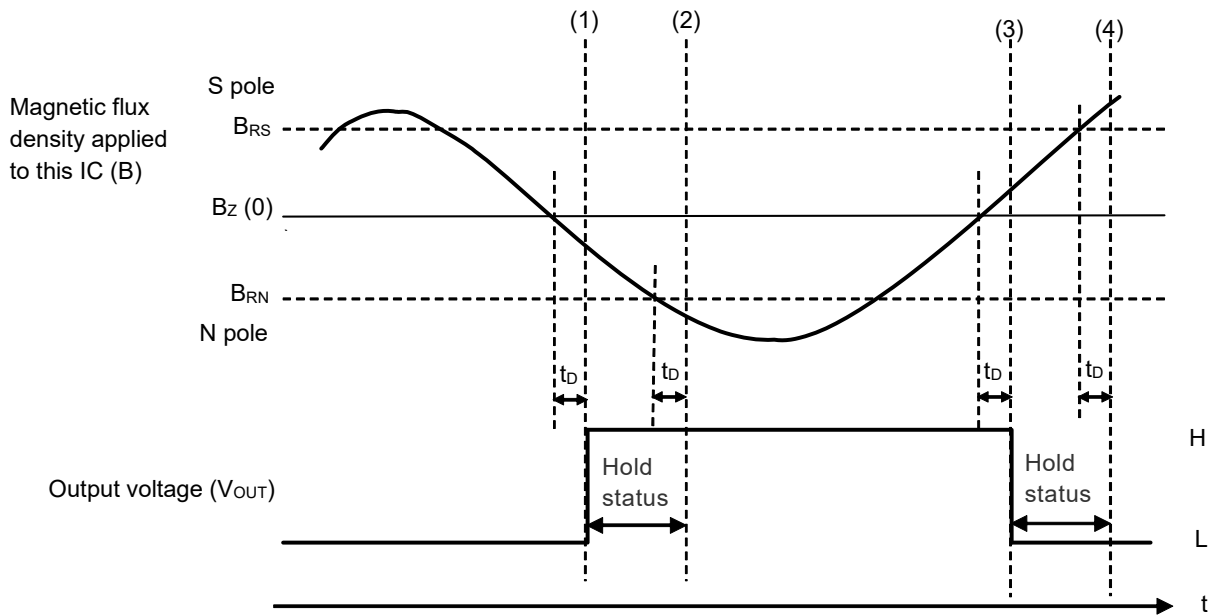
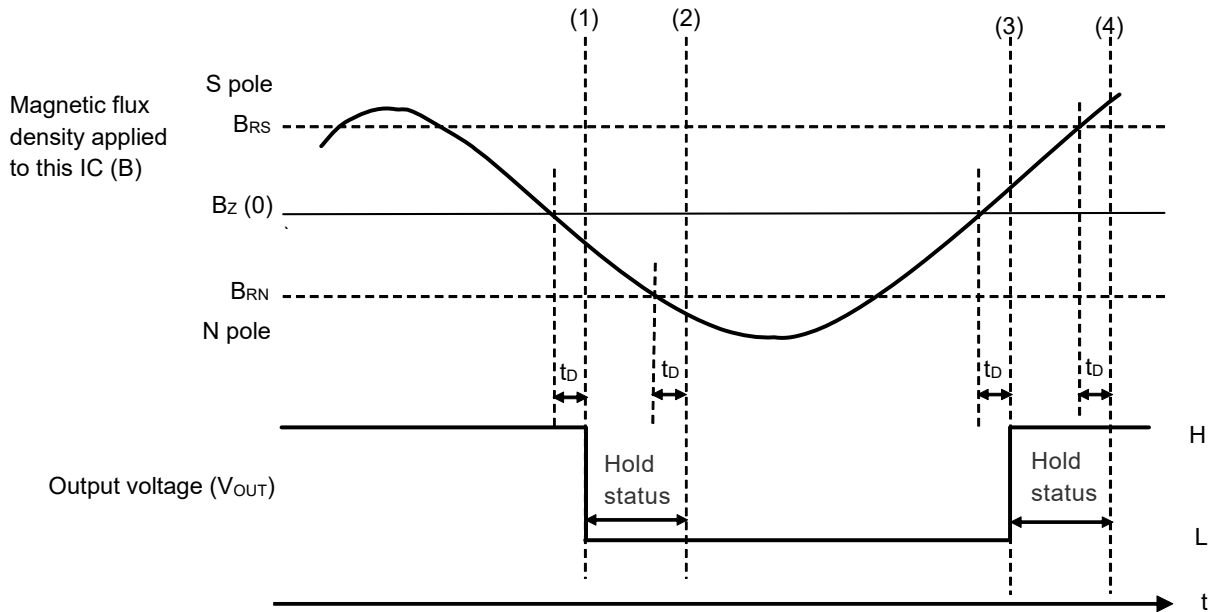


Figure 16 Product with  $V_{OUT} = "L"$  at S pole detection

- (1)  $B > B_{RS} \rightarrow B < B_Z$ , and after  $t_D$ ,  $V_{OUT} = "H" \rightarrow "L"$ , and Hold status starts
- (2)  $B < B_Z \rightarrow B < B_{RN}$ , and after  $t_D$ , Hold status is released, and  $V_{OUT} = "L"$  continues
- (3)  $B < B_{RN} \rightarrow B > B_Z$ , and after  $t_D$ ,  $V_{OUT} = "L" \rightarrow "H"$ , and Hold status starts
- (4)  $B > B_Z \rightarrow B > B_{RS}$ , and after  $t_D$ , Hold status is released, and  $V_{OUT} = "H"$  continues



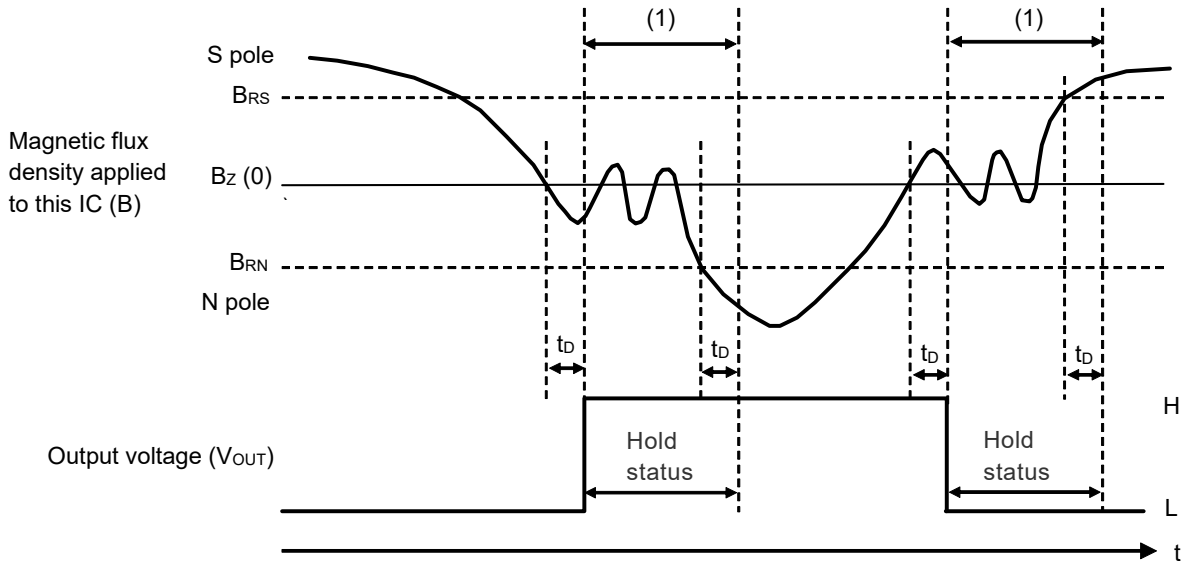
**Figure 17 Product with  $V_{OUT} = "H"$  at S pole detection**

**3.2 Prevention of V<sub>OUT</sub> chattering by Hold status**

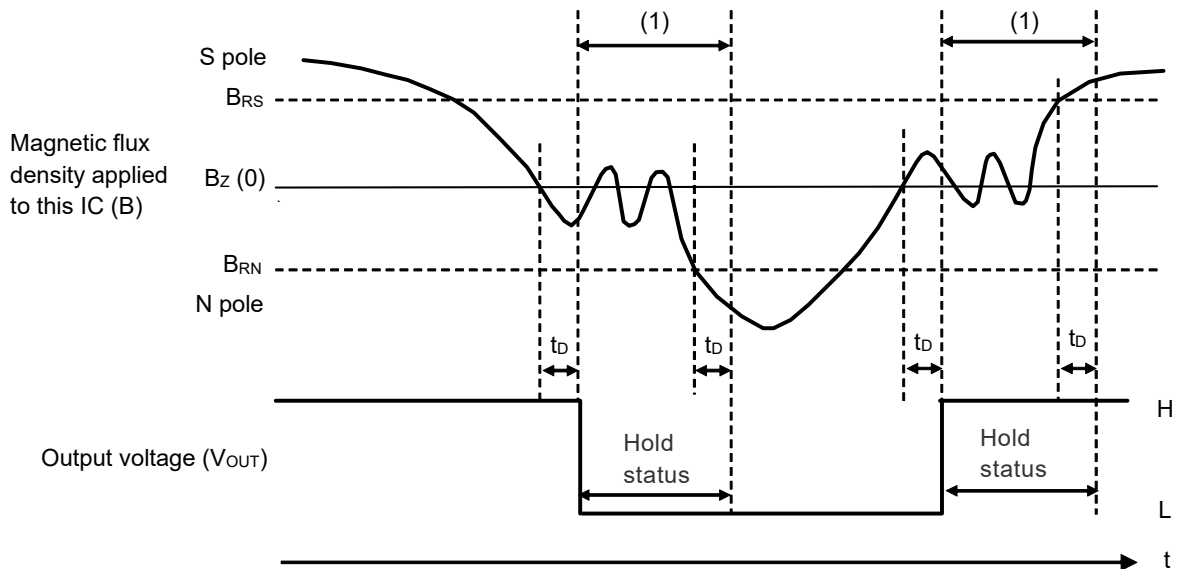
By the Hold status, this IC can switch V<sub>OUT</sub> without chattering even under an influence of external mechanical vibrations, electrical noise, or magnetic noise.

**Figure 18** and **Figure 19** show the V<sub>OUT</sub> operation when the magnetic flux density applied to this IC changes near the zero crossing latch point (B<sub>z</sub>) and B<sub>z</sub> is crossed multiple times.

(1) In the Hold status, the IC retains V<sub>OUT</sub> when the magnetic flux density applied to this IC crosses B<sub>z</sub>.



**Figure 18 Product with V<sub>OUT</sub> = "L" at S pole detection**



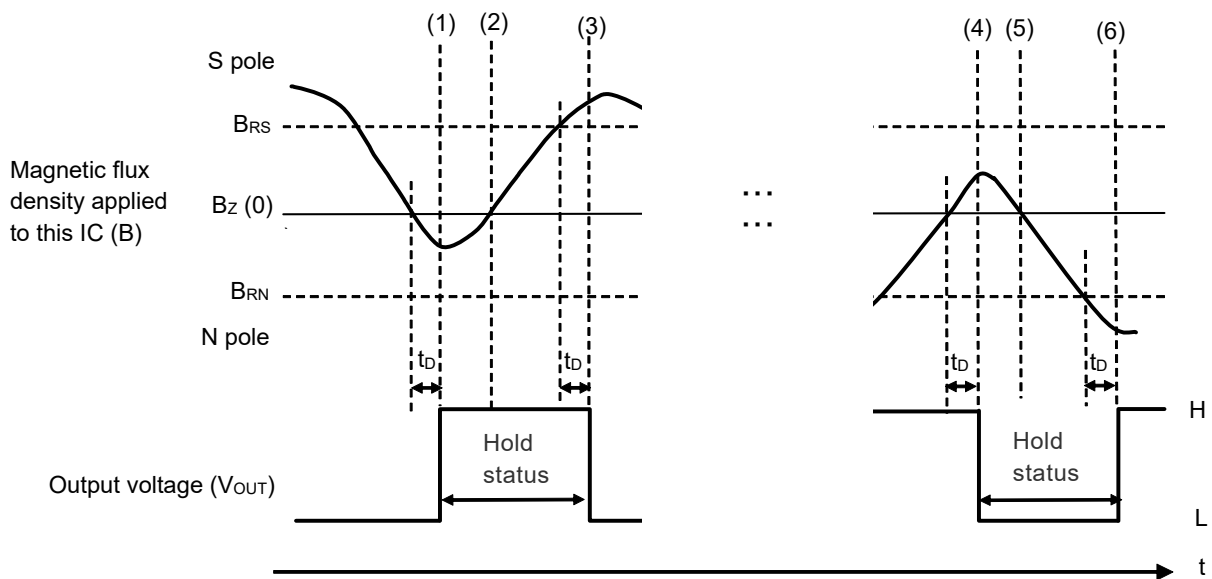
**Figure 19 Product with V<sub>OUT</sub> = "H" at S pole detection**

**3.3 Operation when polarity changes direction is inverted in the Hold status**

In the Hold status, when the polarity changes direction is inverted, this IC release the Hold status at the opposite release point and switches  $V_{OUT}$ .

**Figure 20** and **Figure 21** show the  $V_{OUT}$  operation timing when the polarity change direction is inverted.

- (1)  $B > B_z \rightarrow B < B_z$ , and after  $t_D$ ,  $V_{OUT} = "L" \rightarrow "H"$ , and Hold status starts
- (2) During Hold status, even after  $B < B_z \rightarrow B > B_z$ ,  $V_{OUT} = "H"$  is retained
- (3)  $B > B_z \rightarrow B > B_{RS}$ , and after  $t_D$ , Hold status is released, and  $V_{OUT} = "H" \rightarrow "L"$
- (4)  $B < B_z \rightarrow B > B_z$ , and after  $t_D$ ,  $V_{OUT} = "H" \rightarrow "L"$ , and Hold status starts
- (5) During Hold status, even after  $B > B_z \rightarrow B < B_z$ ,  $V_{OUT} = "L"$  is retained
- (6)  $B < B_z \rightarrow B < B_{RN}$ , and after  $t_D$ , Hold status is released, and  $V_{OUT} = "L" \rightarrow "H"$



**Figure 20 Product with  $V_{OUT} = "L"$  at S pole detection**



- (1)  $B > B_z \rightarrow B < B_z$ , and after  $t_D$ ,  $V_{OUT} = "H" \rightarrow "L"$ , and Hold status starts
- (2) During Hold status, even after  $B < B_z \rightarrow B > B_z$ ,  $V_{OUT} = "L"$  is retained
- (3)  $B > B_z \rightarrow B > B_{RS}$ , and after  $t_D$ , Hold status is released, and  $V_{OUT} = "L" \rightarrow "H"$
- (4)  $B < B_z \rightarrow B > B_z$ , and after  $t_D$ ,  $V_{OUT} = "L" \rightarrow "H"$ , and Hold status starts
- (5) During Hold status, even after  $B > B_z \rightarrow B < B_z$ ,  $V_{OUT} = "H"$  is retained
- (6)  $B < B_z \rightarrow B < B_{RN}$ , and after  $t_D$ , Hold status is released, and  $V_{OUT} = "H" \rightarrow "L"$

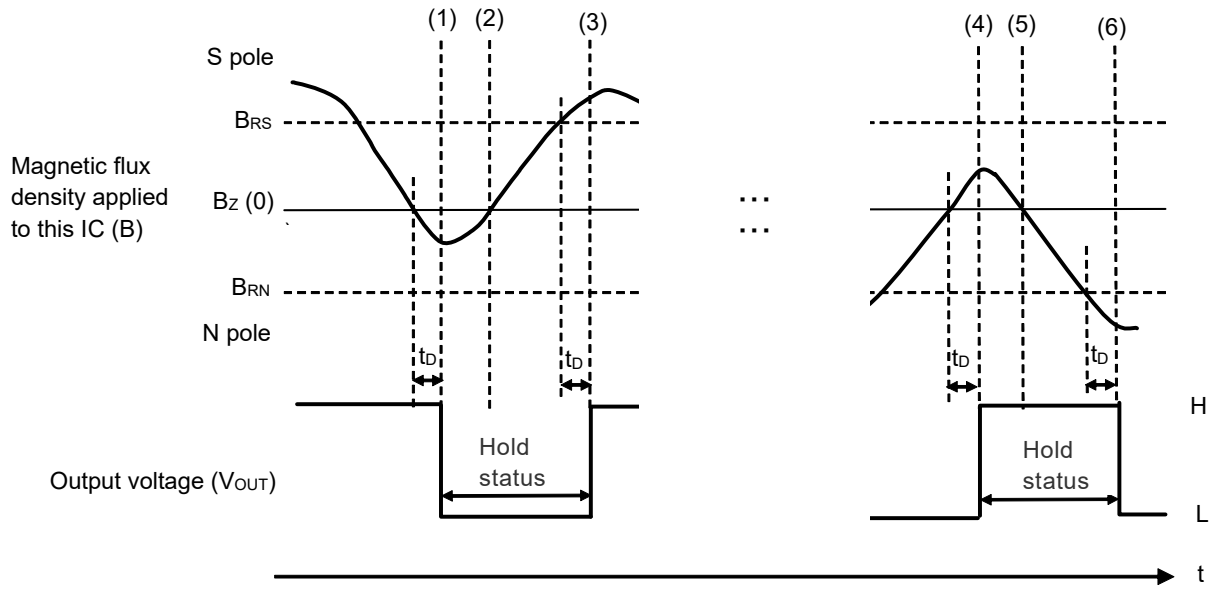


Figure 21 Product with  $V_{OUT} = "H"$  at S pole detection

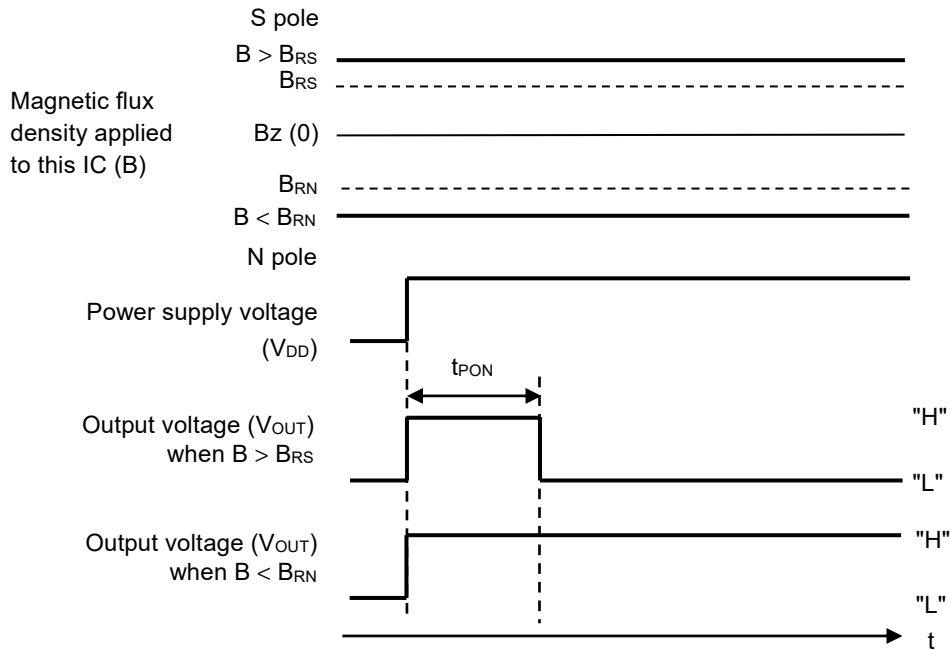
**4. Power-on operation**

This IC requires start up time ( $t_{PON}$ ) during the time immediately after power-on until  $V_{OUT}$  switches. During the  $t_{PON}$  period,  $V_{OUT}$  is "H". After  $t_{PON}$ , when  $B > B_{RS}$  or  $B < B_{RN}$  is detected, polarity changes can be detected.

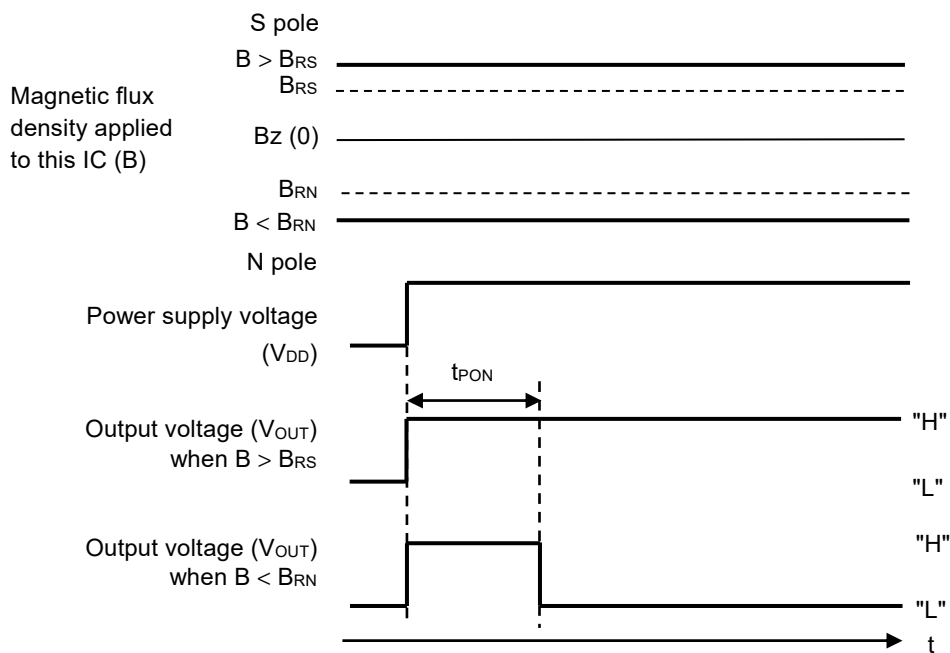
**4.1  $B > B_{RS}$  or  $B < B_{RN}$**

When the magnetic flux density applied to this IC at power-on is  $B > B_{RS}$  or  $B < B_{RN}$ , after  $t_{PON}$ ,  $V_{OUT}$  switches according to the output logic at the S pole detection, and polarity changes can be detected.

**Figure 22** and **Figure 23** show  $V_{OUT}$  operation immediately after power-on when  $B > B_{RS}$  or  $B < B_{RN}$ .



**Figure 22 Product with  $V_{OUT} = "L"$  at S pole detection**

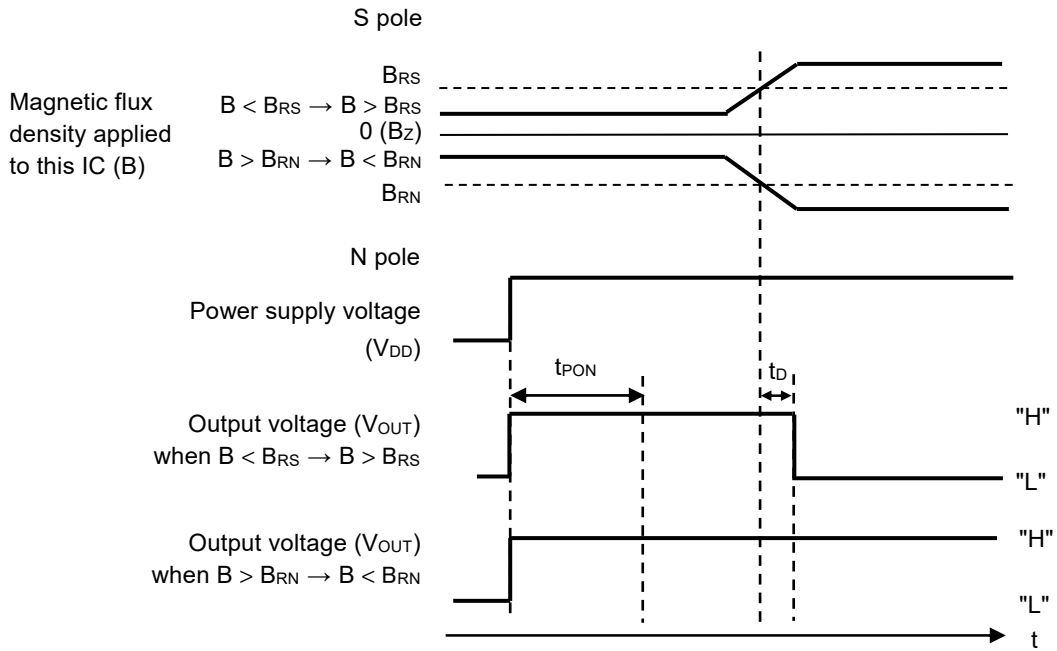


**Figure 23 Product with  $V_{OUT} = "H"$  at S pole detection**

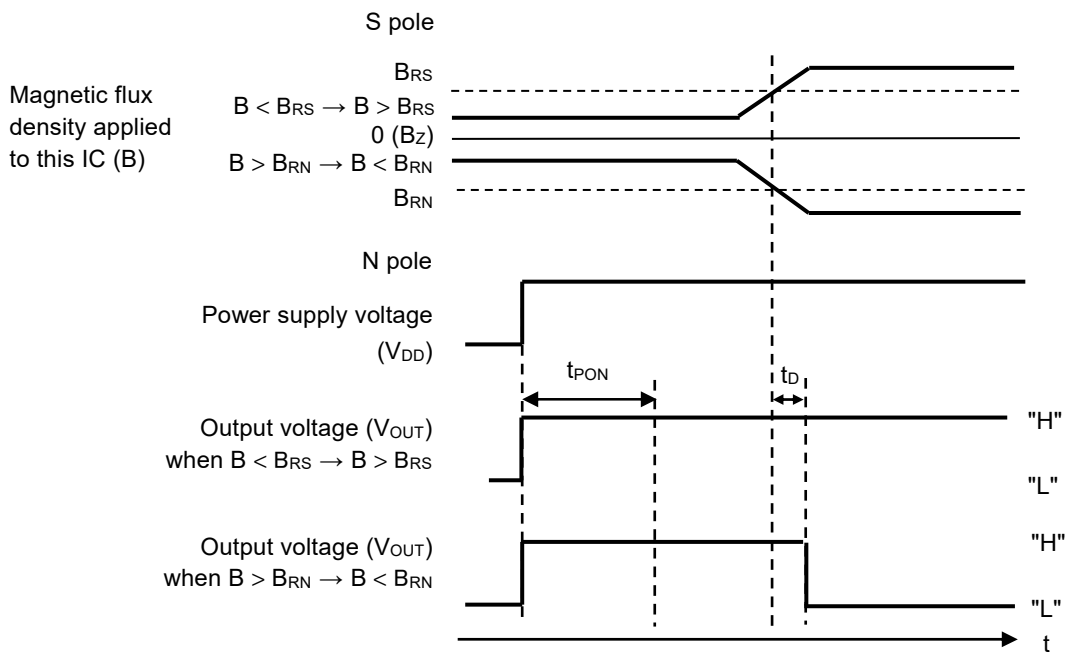
**4.2  $B_{RN} < B < B_{RS}$**

When the magnetic flux density applied to this IC at power-on is  $B_{RN} < B < B_{RS}$ , after  $t_{PON}$ ,  $V_{OUT}$  continues "H". Thereafter, when the magnetic flux density changes to  $B > B_{RS}$  or  $B < B_{RN}$ , after  $t_D$ ,  $V_{OUT}$  switches according to the output logic at the S pole detection and magnetic flux density, and polarity changes can be detected.

**Figure 24** and **Figure 25** show  $V_{OUT}$  operation when change of  $B_{RN} < B < B_{RS} \rightarrow B > B_{RS}$  or  $B < B_{RN}$  occurs after  $t_{PON}$ .



**Figure 24 Product with  $V_{OUT} = "L"$  at S pole detection**



**Figure 25 Product with  $V_{OUT} = "H"$  at S pole detection**

## ■ Precautions

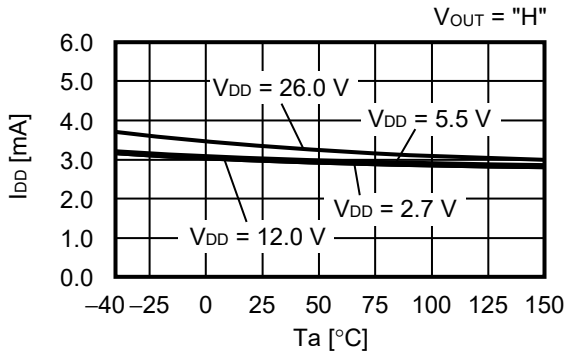
- If the impedance of the power supply is high, the IC may malfunction due to a supply voltage drop caused by feed-through current. Take care with the pattern wiring to ensure that the impedance of the power supply is low.
- Note that the IC may malfunction if the power supply voltage rapidly changes. When the IC is used under the environment where the power supply voltage rapidly changes, it is recommended to judge the output voltage of the IC by reading it multiple times.
- Do not apply an electrostatic discharge to this IC that exceeds the performance ratings of the built-in electrostatic protection circuit.
- Although this IC has a built-in output current limit circuit, it may suffer physical damage such as product deterioration under the environment where the absolute maximum ratings are exceeded.
- Although this IC has a built-in reverse voltage protection circuit, it may suffer physical damage such as product deterioration under the environment where the absolute maximum ratings are exceeded.
- The application conditions for the power supply voltage, the pull-up voltage, and the pull-up resistor should not exceed the power dissipation.
- Large stress on this IC may affect the magnetic characteristics. Avoid large stress which is caused by the handling during or after mounting the IC on a board.
- Since the package heat radiation differs according to the conditions of the application, perform thorough evaluation with actual applications to confirm no problems occur.
- ABLIC Inc. claims no responsibility for any disputes arising out of or in connection with any infringement by products including this IC of patents owned by a third party.

■ Characteristics (Typical Data)

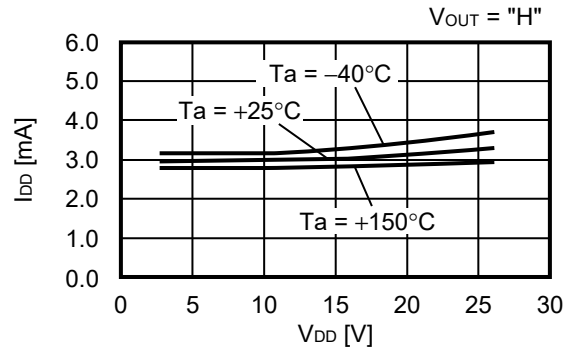
1. Electrical Characteristics

1.1 S-57TZxxxS

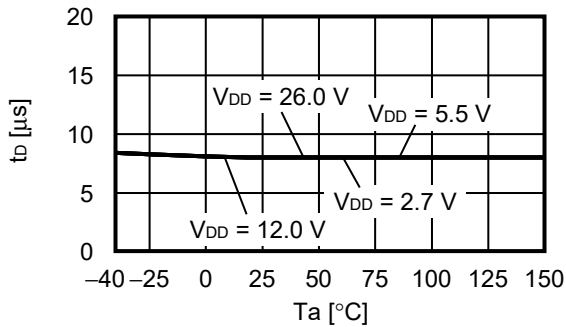
1.1.1 Current consumption ( $I_{DD}$ ) vs. Temperature ( $T_a$ )



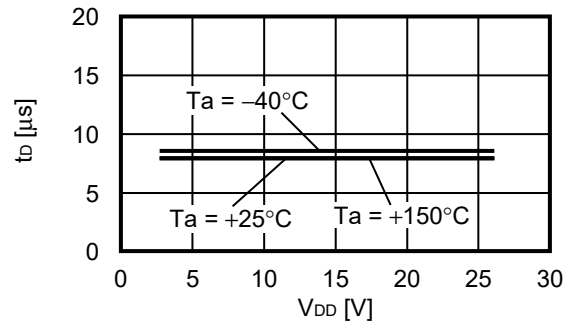
1.1.2 Current consumption ( $I_{DD}$ ) vs. Power supply voltage ( $V_{DD}$ )



1.1.3 Output delay time ( $t_{d}$ ) vs. Temperature ( $T_a$ )



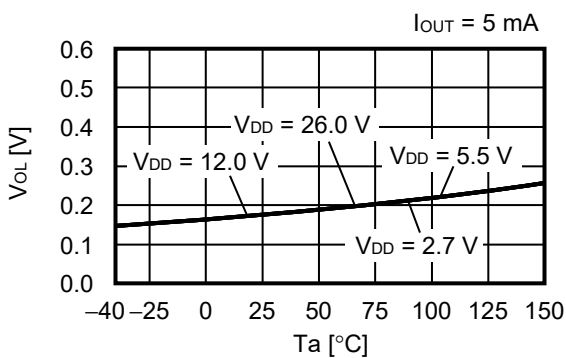
1.1.4 Output delay time ( $t_{d}$ ) vs. Power supply voltage ( $V_{DD}$ )



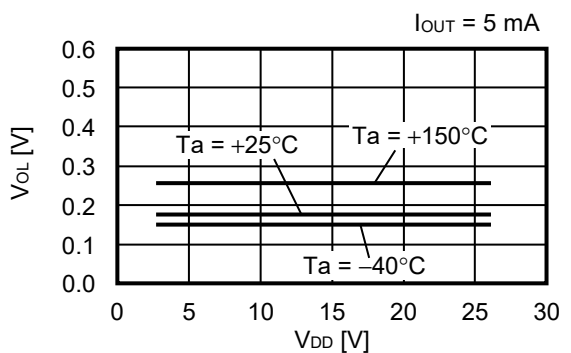
**Caution**  $V_{DD} = 2.7$  V to  $5.5$  V when output form is Nch driver + built-in pull-up resistor ( $1.2$  kΩ typ.).  
 Comply with power supply voltage range and do not exceed absolute maximum ratings.

1.2 S-57TZNxxS

1.2.1 Low level output voltage ( $V_{OL}$ ) vs. Temperature ( $T_a$ )

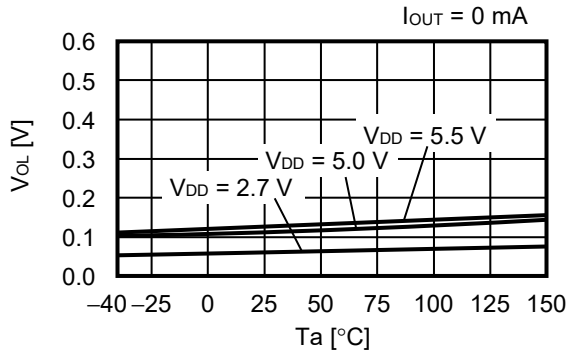


1.2.2 Low level output voltage ( $V_{OL}$ ) vs. Power supply voltage ( $V_{DD}$ )

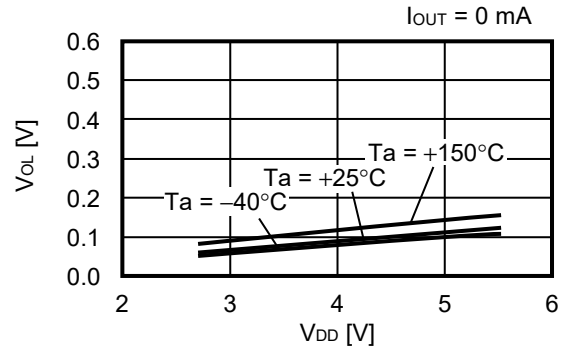


**1.3 S-57TZ1xxS**

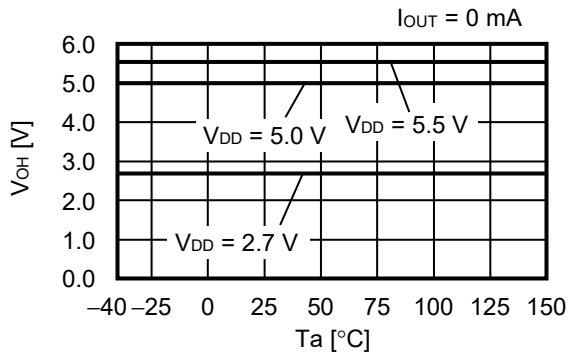
**1.3.1 Low level output voltage ( $V_{OL}$ ) vs. Temperature ( $T_a$ )**



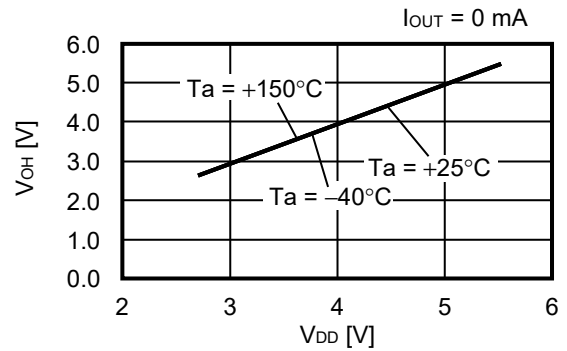
**1.3.2 Low level output voltage ( $V_{OL}$ ) vs. Power supply voltage ( $V_{DD}$ )**



**1.3.3 High level output voltage ( $V_{OH}$ ) vs. Temperature ( $T_a$ )**



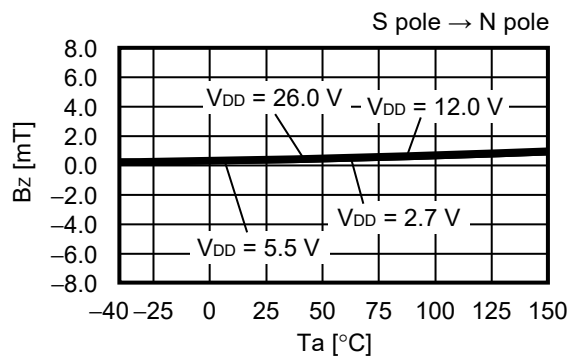
**1.3.4 High level output voltage ( $V_{OH}$ ) vs. Power supply voltage ( $V_{DD}$ )**



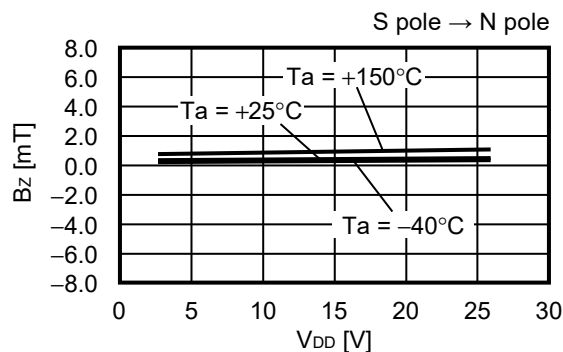
## 2. Magnetic Characteristics

### 2.1 S-57TZxx1S-L3T2U

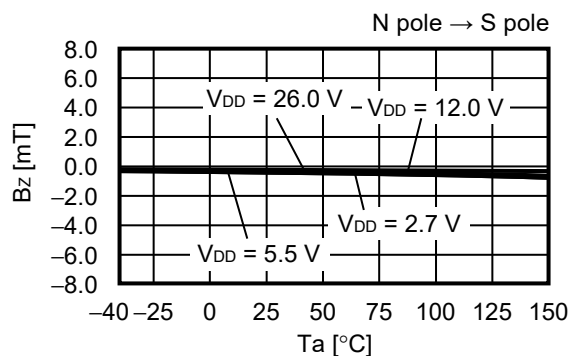
2.1.1 Zero crossing latch point ( $B_z$ ) vs. Temperature ( $T_a$ )



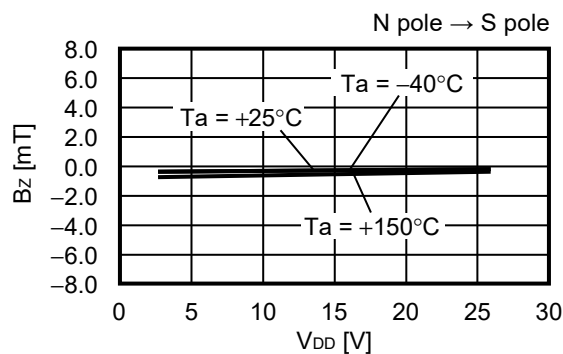
2.1.2 Zero crossing latch point ( $B_z$ ) vs. Power supply voltage ( $V_{DD}$ )



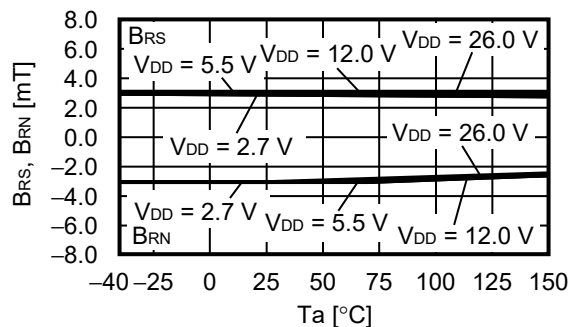
2.1.3 Zero crossing latch point ( $B_z$ ) vs. Temperature ( $T_a$ )



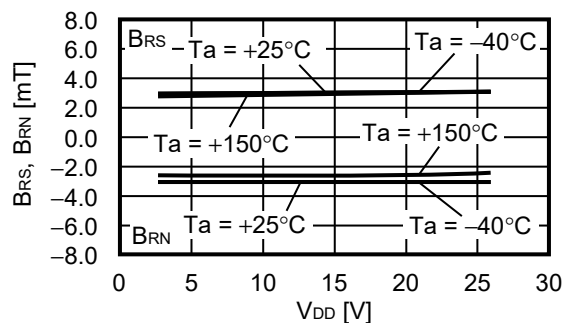
2.1.4 Zero crossing latch point ( $B_z$ ) vs. Power supply voltage ( $V_{DD}$ )



2.1.5 Release point ( $B_{RS}$ ,  $B_{RN}$ ) vs. Temperature ( $T_a$ )



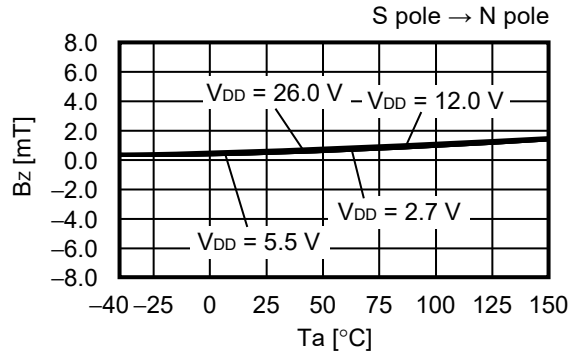
2.1.6 Release point ( $B_{RS}$ ,  $B_{RN}$ ) vs. Power supply voltage ( $V_{DD}$ )



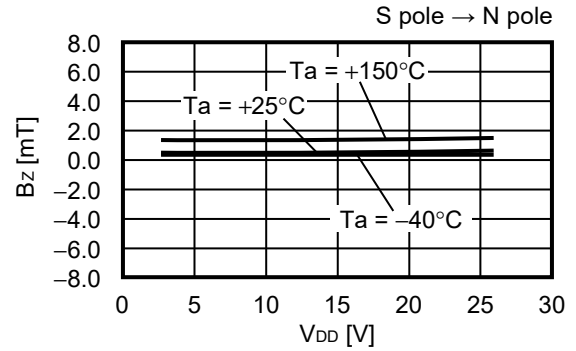
**Caution**  $V_{DD} = 2.7\text{ V to }5.5\text{ V}$  when output form is Nch driver + built-in pull-up resistor (1.2 kΩ typ.).  
 Comply with power supply voltage range and do not exceed absolute maximum ratings.

**2. 2 S-57TZxx2S-L3T2U**

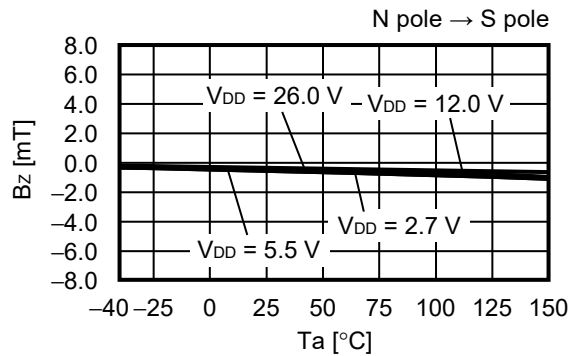
**2. 2. 1 Zero crossing latch point ( $B_z$ ) vs. Temperature ( $T_a$ )**



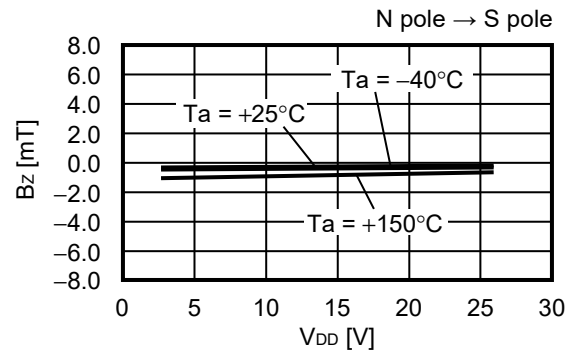
**2. 2. 2 Zero crossing latch point ( $B_z$ ) vs. Power supply voltage ( $V_{DD}$ )**



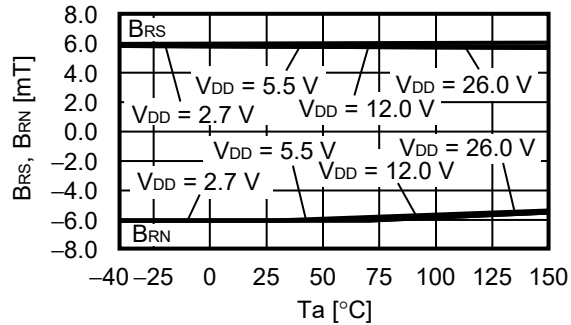
**2. 2. 3 Zero crossing latch point ( $B_z$ ) vs. Temperature ( $T_a$ )**



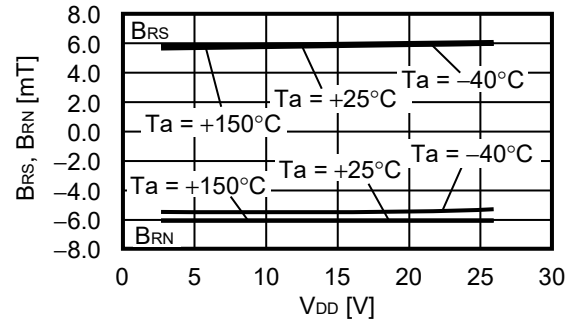
**2. 2. 4 Zero crossing latch point ( $B_z$ ) vs. Power supply voltage ( $V_{DD}$ )**



**2. 2. 5 Release point ( $B_{RS}$ ,  $B_{RN}$ ) vs. Temperature ( $T_a$ )**



**2. 2. 6 Release point ( $B_{RS}$ ,  $B_{RN}$ ) vs. Power supply voltage ( $V_{DD}$ )**

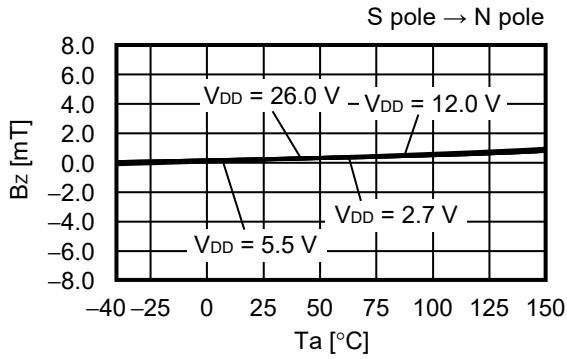


**Caution**  $V_{DD} = 2.7$  V to  $5.5$  V when output form is Nch driver + built-in pull-up resistor ( $1.2$  k $\Omega$  typ.).  
 Comply with power supply voltage range and do not exceed absolute maximum ratings.

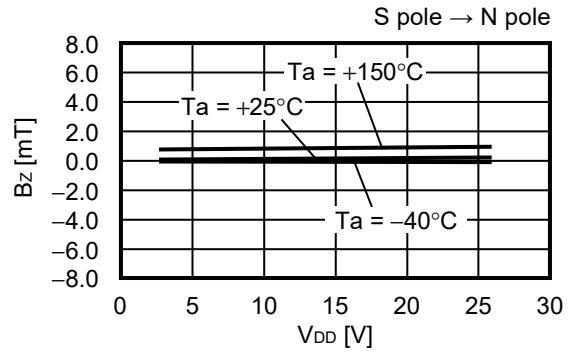


**2.3 S-57TZxx1S-A6T8U**

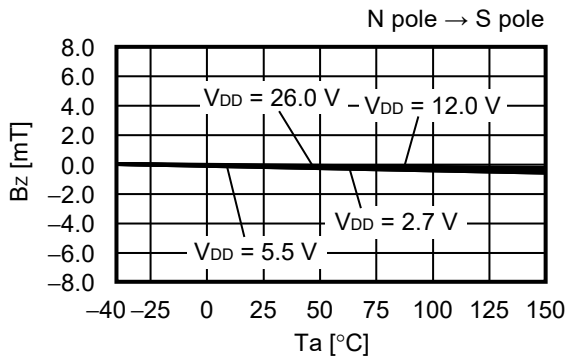
**2.3.1 Zero crossing latch point ( $B_z$ ) vs. Temperature ( $T_a$ )**



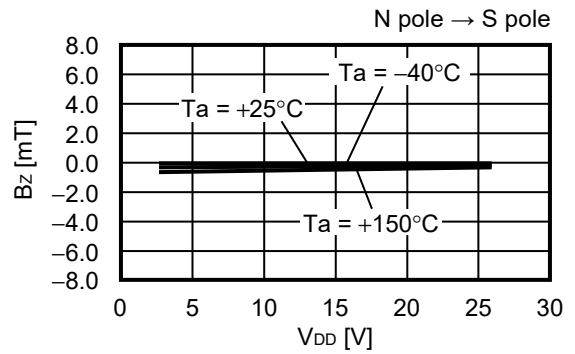
**2.3.2 Zero crossing latch point ( $B_z$ ) vs. Power supply voltage ( $V_{DD}$ )**



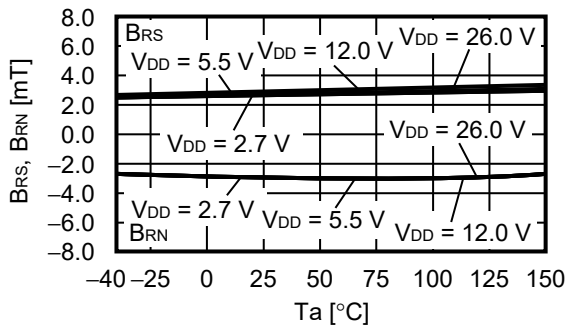
**2.3.3 Zero crossing latch point ( $B_z$ ) vs. Temperature ( $T_a$ )**



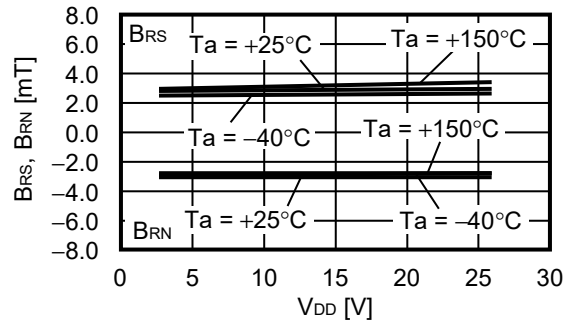
**2.3.4 Zero crossing latch point ( $B_z$ ) vs. Power supply voltage ( $V_{DD}$ )**



**2.3.5 Release point ( $B_{RS}$ ,  $B_{RN}$ ) vs. Temperature ( $T_a$ )**



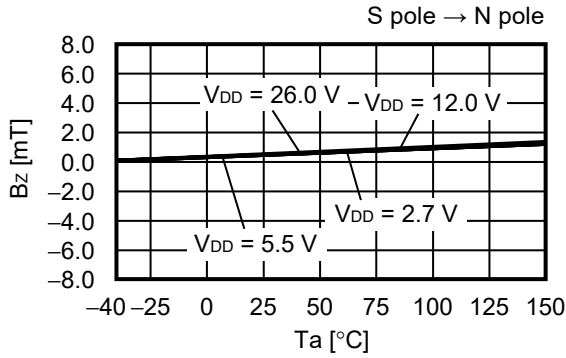
**2.3.6 Release point ( $B_{RS}$ ,  $B_{RN}$ ) vs. Power supply voltage ( $V_{DD}$ )**



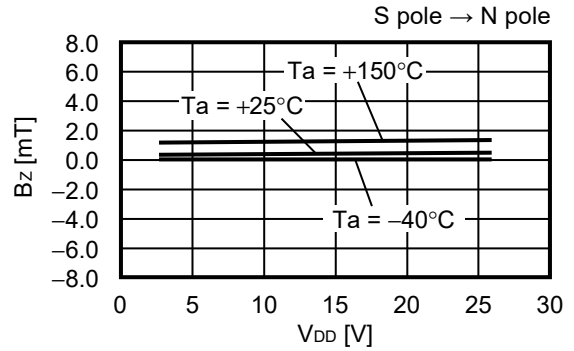
**Caution**  $V_{DD} = 2.7$  V to 5.5 V when output form is Nch driver + built-in pull-up resistor (1.2 kΩ typ.).  
 Comply with power supply voltage range and do not exceed absolute maximum ratings.

**2. 4 S-57TZxx2S-A6T8U**

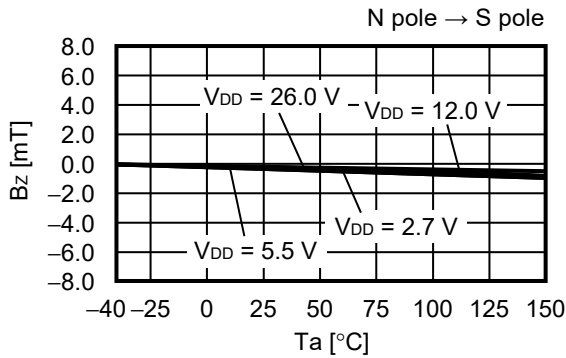
**2. 4. 1 Zero crossing latch point ( $B_z$ ) vs. Temperature ( $T_a$ )**



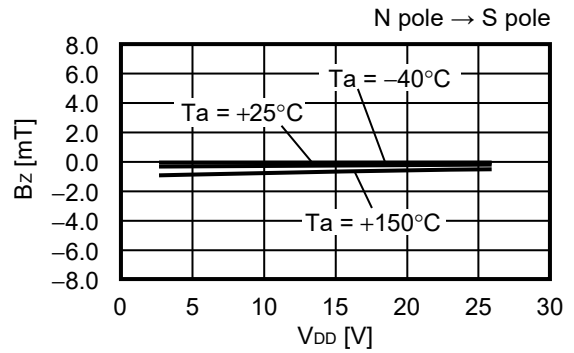
**2. 4. 2 Zero crossing latch point ( $B_z$ ) vs. Power supply voltage ( $V_{DD}$ )**



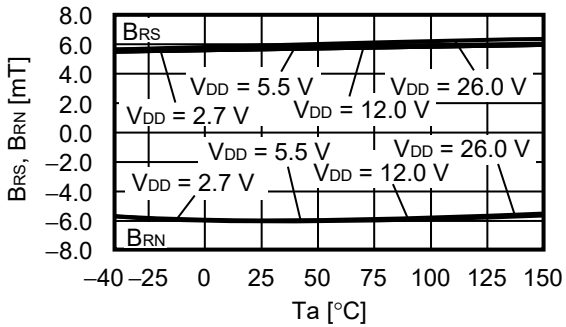
**2. 4. 3 Zero crossing latch point ( $B_z$ ) vs. Temperature ( $T_a$ )**



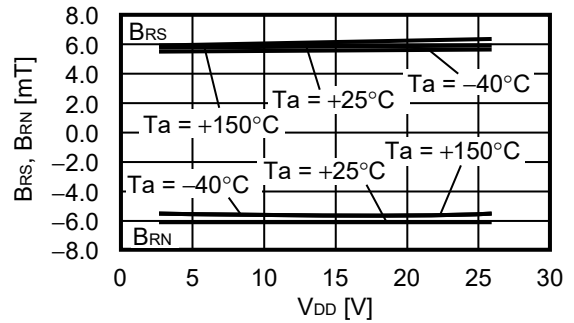
**2. 4. 4 Zero crossing latch point ( $B_z$ ) vs. Power supply voltage ( $V_{DD}$ )**



**2. 4. 5 Release point ( $B_{RS}$ ,  $B_{RN}$ ) vs. Temperature ( $T_a$ )**



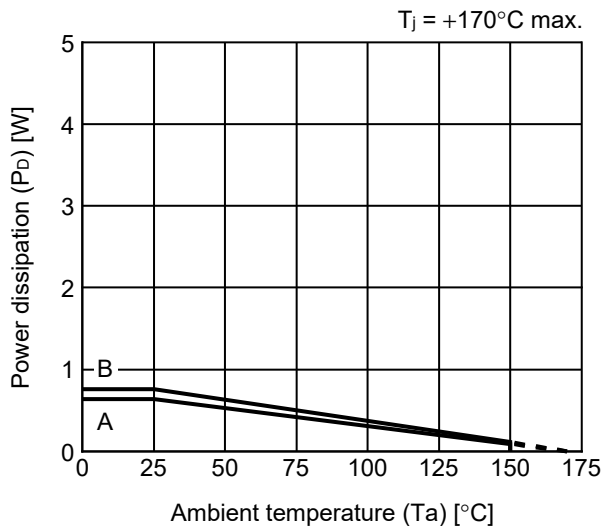
**2. 4. 6 Release point ( $B_{RS}$ ,  $B_{RN}$ ) vs. Power supply voltage ( $V_{DD}$ )**



**Caution**  $V_{DD} = 2.7\text{ V to }5.5\text{ V}$  when output form is Nch driver + built-in pull-up resistor (1.2 kΩ typ.).  
 Comply with power supply voltage range and do not exceed absolute maximum ratings.

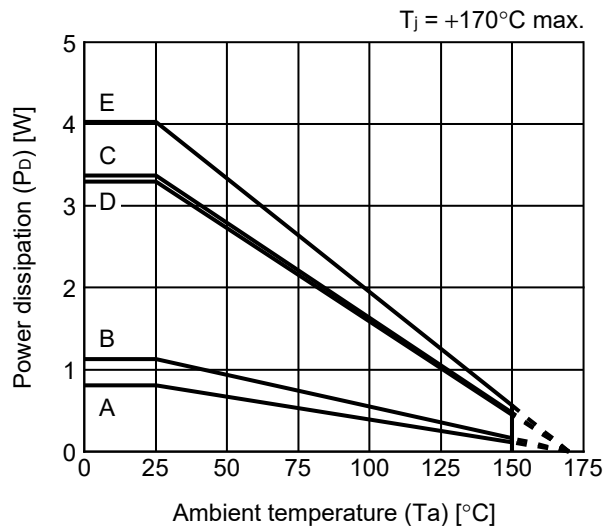
■ Power Dissipation

TSOT-23-3S



Board	Power Dissipation (Pd)
A	0.64 W
B	0.76 W
C	–
D	–
E	–

HSNT-6(2025)

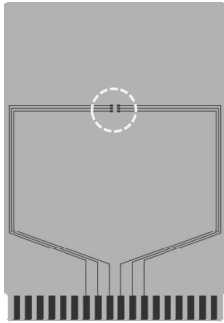


Board	Power Dissipation (Pd)
A	0.81 W
B	1.13 W
C	3.37 W
D	3.30 W
E	4.03 W

# TSOT-23-3S Test Board

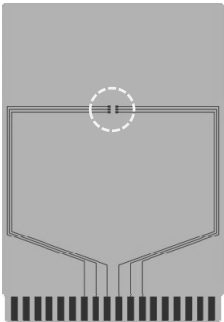
 IC Mount Area

(1) Board A



Item	Specification	
Size [mm]	114.3 x 76.2 x t1.6	
Material	FR-4	
Number of copper foil layer	2	
Copper foil layer [mm]	1	Land pattern and wiring for testing: t0.070
	2	-
	3	-
	4	74.2 x 74.2 x t0.070
Thermal via	-	

(2) Board B



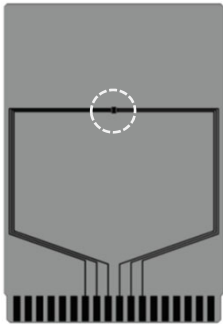
Item	Specification	
Size [mm]	114.3 x 76.2 x t1.6	
Material	FR-4	
Number of copper foil layer	4	
Copper foil layer [mm]	1	Land pattern and wiring for testing: t0.070
	2	74.2 x 74.2 x t0.035
	3	74.2 x 74.2 x t0.035
	4	74.2 x 74.2 x t0.070
Thermal via	-	

No. TSOT23x-A-Board-SD-1.0

# HSNT-6(2025) Test Board

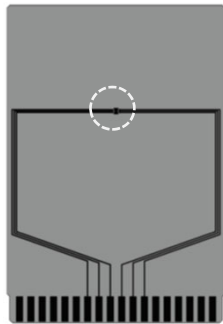
 IC Mount Area

(1) Board A



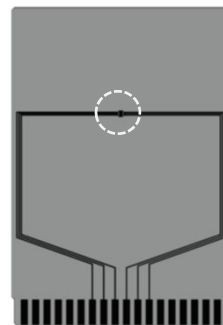
Item	Specification	
Size [mm]	114.3 x 76.2 x t1.6	
Material	FR-4	
Number of copper foil layer	2	
Copper foil layer [mm]	1	Land pattern and wiring for testing: t0.070
	2	-
	3	-
	4	74.2 x 74.2 x t0.070
Thermal via	-	

(2) Board B



Item	Specification	
Size [mm]	114.3 x 76.2 x t1.6	
Material	FR-4	
Number of copper foil layer	4	
Copper foil layer [mm]	1	Land pattern and wiring for testing: t0.070
	2	74.2 x 74.2 x t0.035
	3	74.2 x 74.2 x t0.035
	4	74.2 x 74.2 x t0.070
Thermal via	-	

(3) Board C




Item	Specification	
Size [mm]	114.3 x 76.2 x t1.6	
Material	FR-4	
Number of copper foil layer	4	
Copper foil layer [mm]	1	Land pattern and wiring for testing: t0.070
	2	74.2 x 74.2 x t0.035
	3	74.2 x 74.2 x t0.035
	4	74.2 x 74.2 x t0.070
Thermal via	Number: 4 Diameter: 0.3 mm	



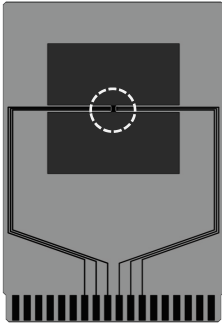
enlarged view

No. HSNT6-B-Board-SD-1.0

# HSNT-6(2025) Test Board

 IC Mount Area

## (4) Board D

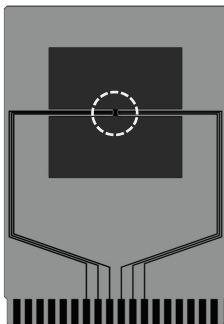


Item	Specification	
Size [mm]	114.3 x 76.2 x t1.6	
Material	FR-4	
Number of copper foil layer	4	
Copper foil layer [mm]	1	Pattern for heat radiation: 2000mm <sup>2</sup> t0.070
	2	74.2 x 74.2 x t0.035
	3	74.2 x 74.2 x t0.035
	4	74.2 x 74.2 x t0.070
Thermal via	-	



enlarged view

## (5) Board E

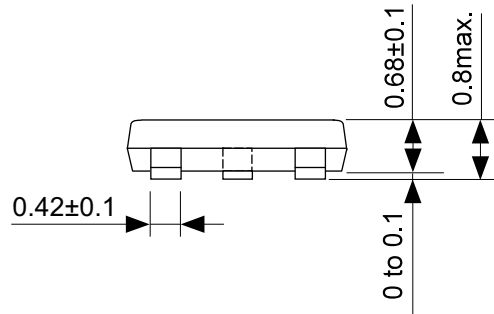
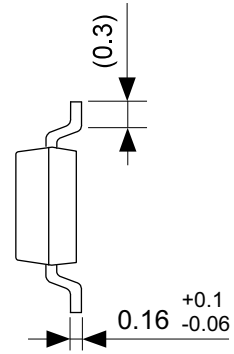
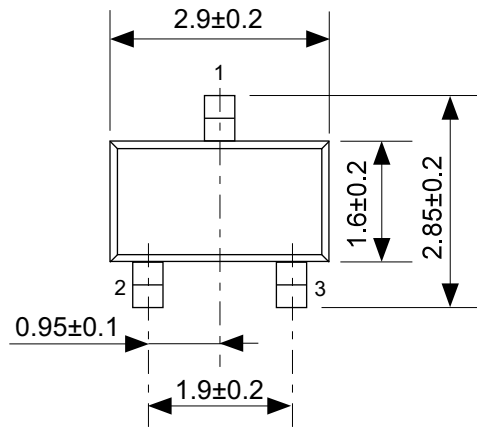


Item	Specification	
Size [mm]	114.3 x 76.2 x t1.6	
Material	FR-4	
Number of copper foil layer	4	
Copper foil layer [mm]	1	Pattern for heat radiation: 2000mm <sup>2</sup> t0.070
	2	74.2 x 74.2 x t0.035
	3	74.2 x 74.2 x t0.035
	4	74.2 x 74.2 x t0.070
Thermal via	Number: 4 Diameter: 0.3 mm	



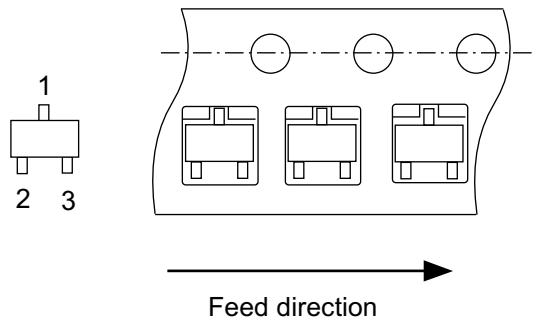
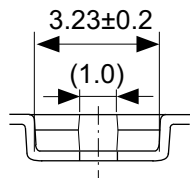
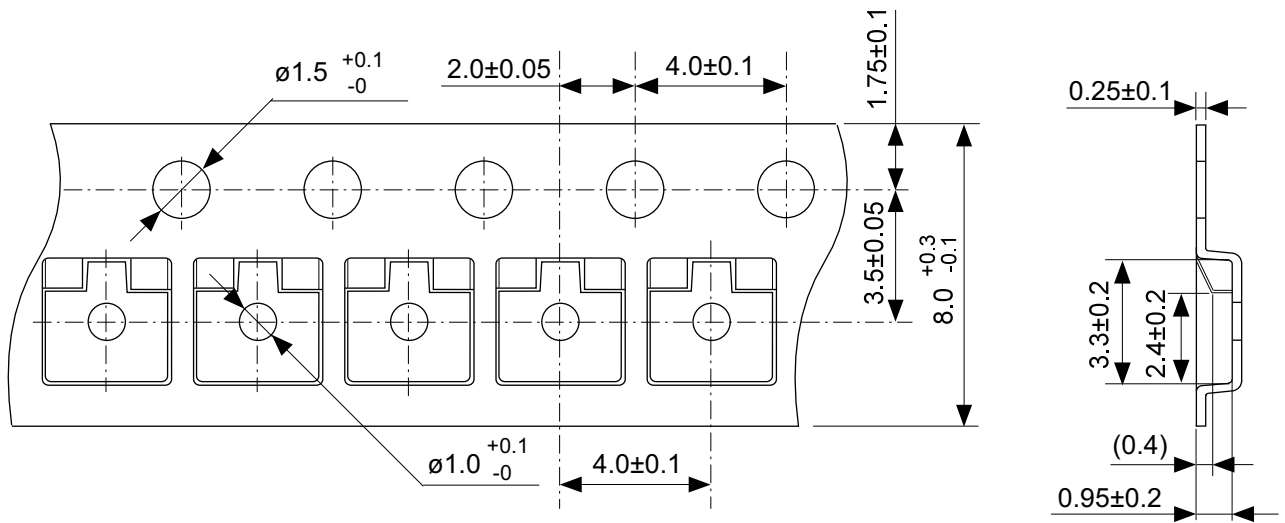
enlarged view

No. HSNT6-B-Board-SD-1.0



No. MP003-E-P-SD-1.0

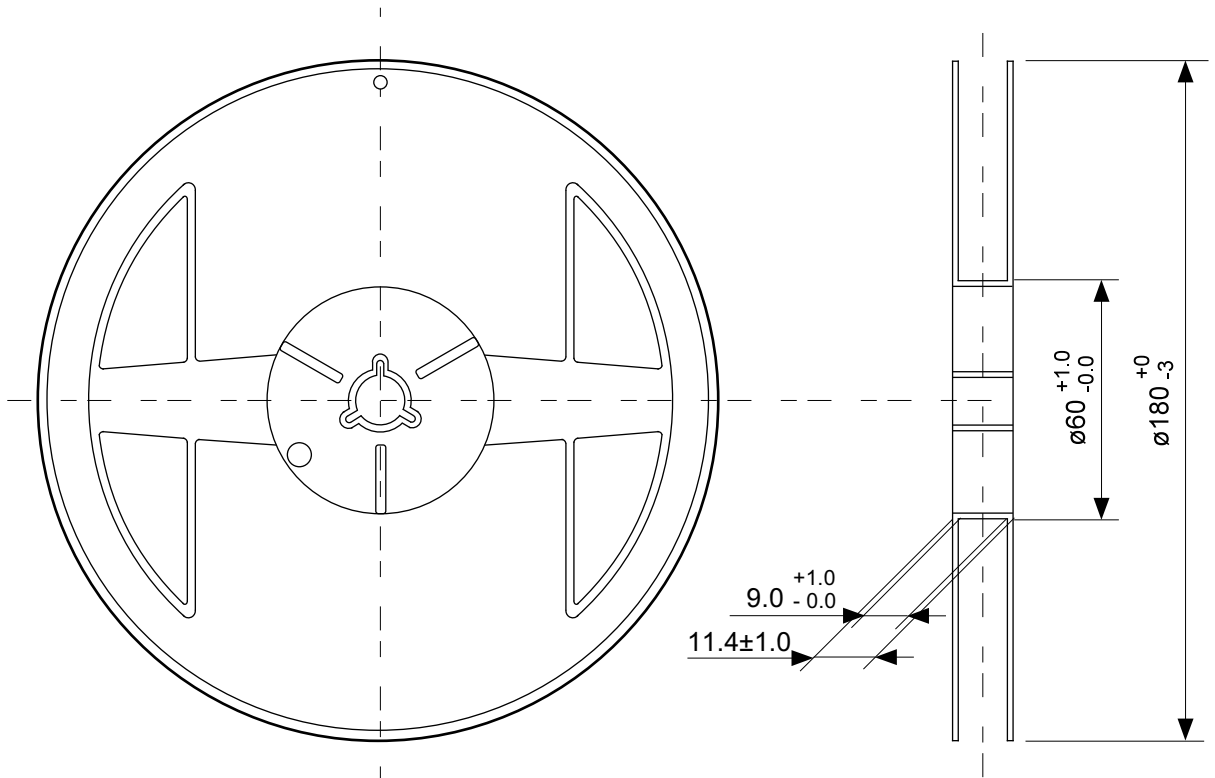
TITLE	TSOT233S-A-PKG Dimensions
No.	MP003-E-P-SD-1.0
ANGLE	
UNIT	mm
<b>ABLIC Inc.</b>	



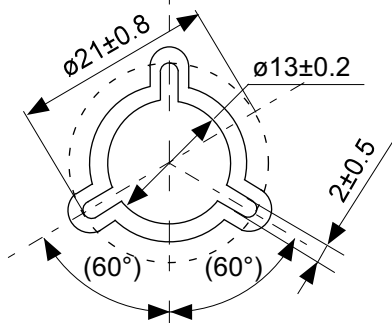
No. MP003-E-C-SD-1.0

TITLE	TSOT233S-A-Carrier Tape
No.	MP003-E-C-SD-1.0
ANGLE	
UNIT	mm
<b>ABLIC Inc.</b>	



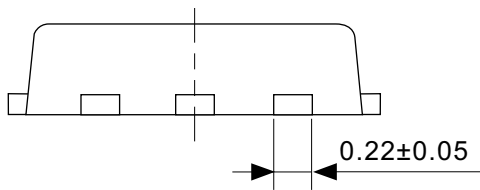
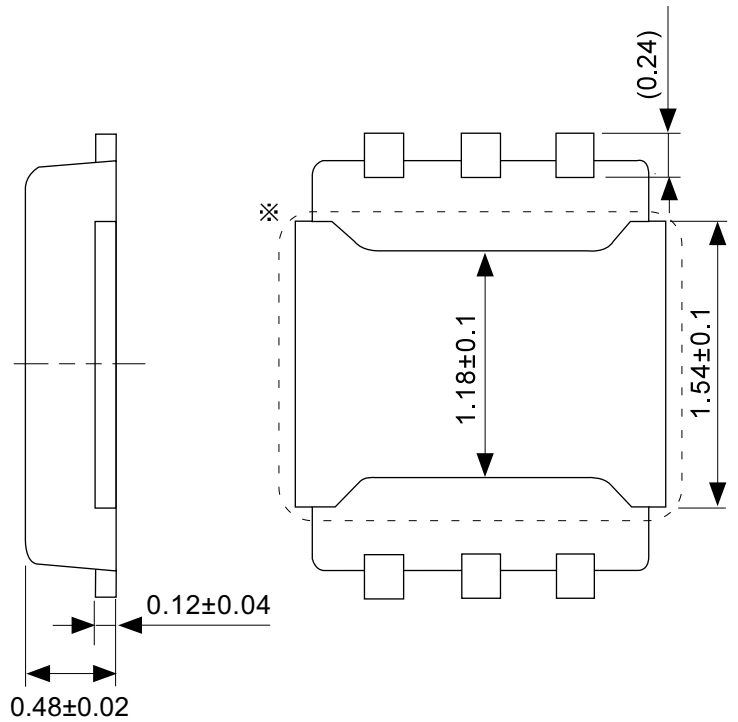
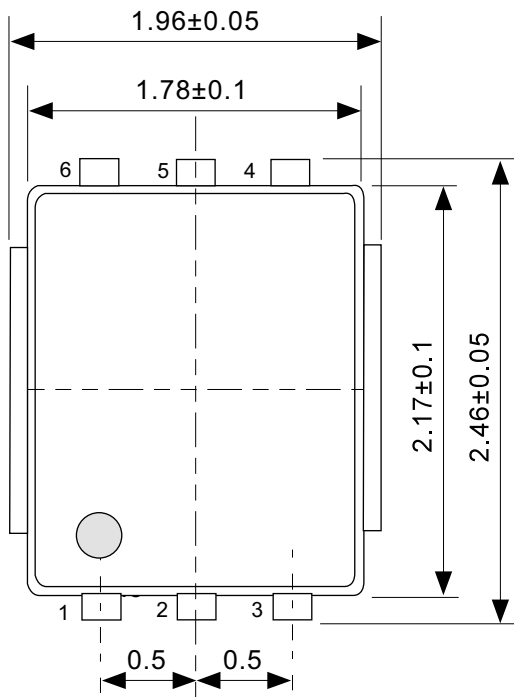


Enlarged drawing in the central part



No. MP003-E-R-SD-1.0

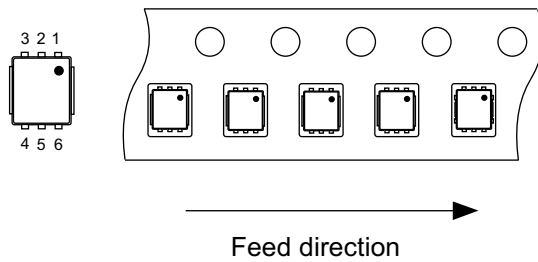
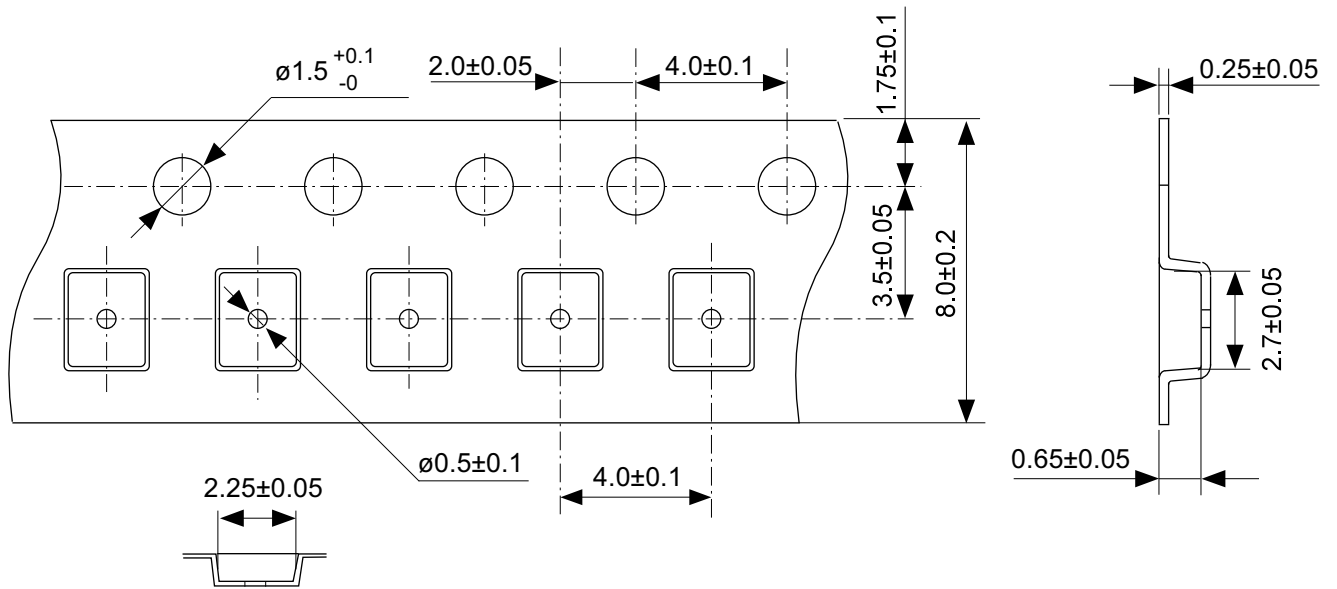
TITLE	TSOT233S-A-Reel		
No.	MP003-E-R-SD-1.0		
ANGLE		QTY.	3,000
UNIT	mm		
<b>ABLIC Inc.</b>			



※ The heat sink of back side has different electric potential depending on the product.  
 Confirm specifications of each product.  
 Do not use it as the function of electrode.

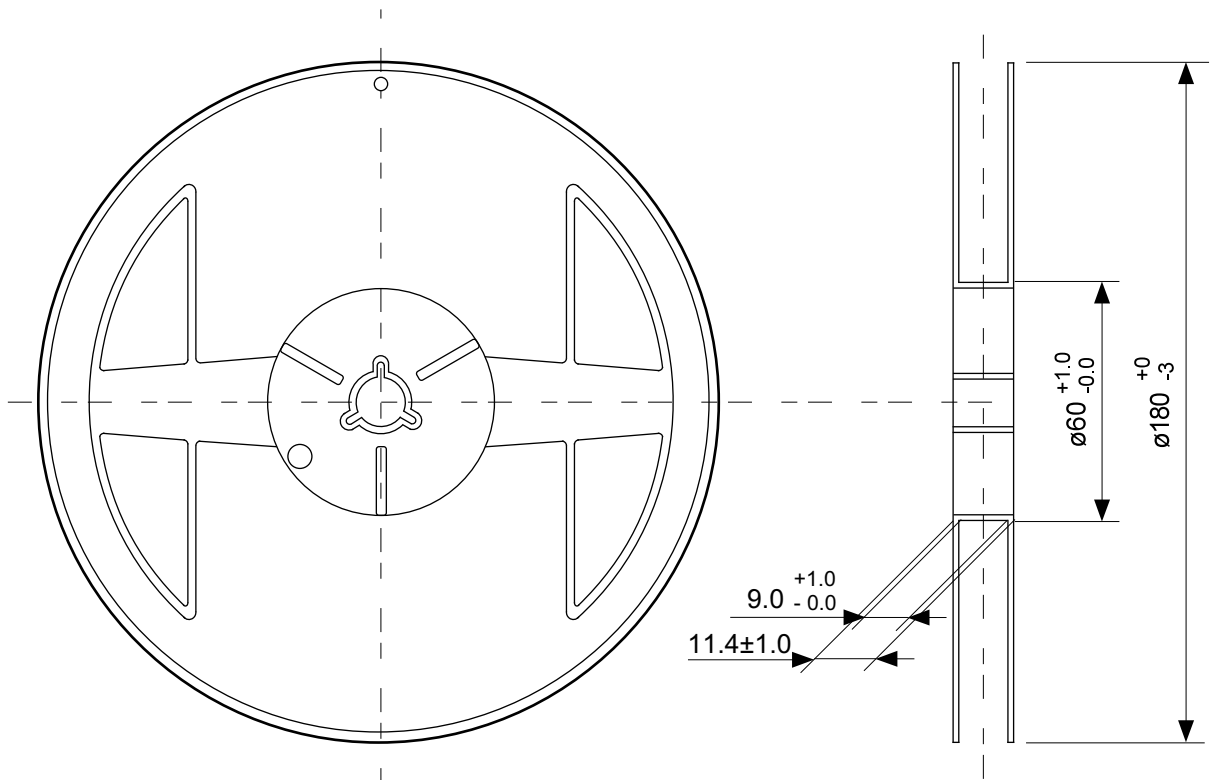
No. PJ006-B-P-SD-1.0

TITLE	HSNT-6-C-PKG Dimensions
No.	PJ006-B-P-SD-1.0
ANGLE	
UNIT	mm
<b>ABLIC Inc.</b>	

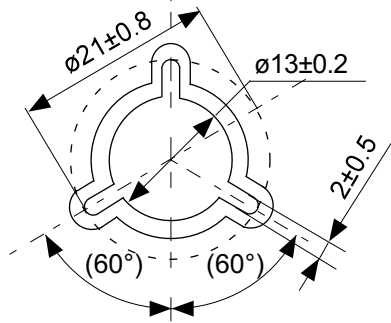


No. PJ006-B-C-SD-1.0

TITLE	HSNT-6-C-Carrier Tape
No.	PJ006-B-C-SD-1.0
ANGLE	
UNIT	mm
<b>ABLIC Inc.</b>	



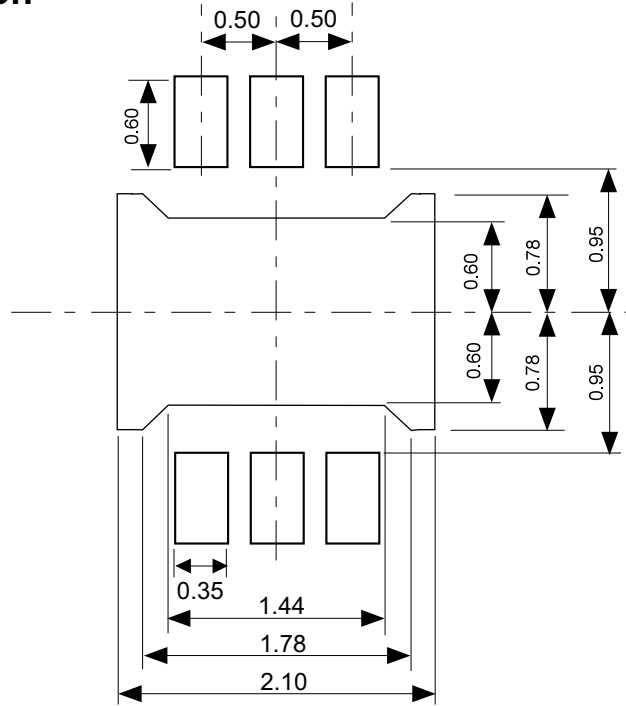
Enlarged drawing in the central part



No. PJ006-B-R-SD-1.0

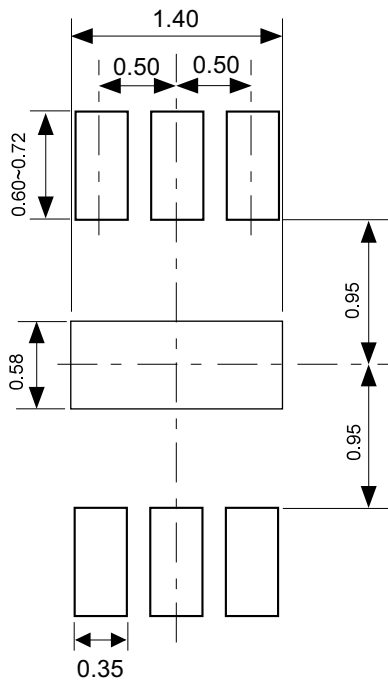
TITLE	HSNT-6-C-Reel		
No.	PJ006-B-R-SD-1.0		
ANGLE		QTY.	5,000
UNIT	mm		
<b>ABLIC Inc.</b>			

## Land Recommendation



Caution It is recommended to solder the heat sink to a board in order to ensure the heat radiation.  
 注意 放熱性を確保する為に、PKGの裏面放熱板(ヒートシンク)を基板に半田付けする事を推奨いたします。

## Stencil Opening



No. PJ006-B-LM-SD-1.0

- Caution
- ① Mask aperture ratio of the lead mounting part is 100~120%.
  - ② Mask aperture ratio of the heat sink mounting part is 30%.
  - ③ Mask thickness: t0.12 mm
  - ④ Reflow atmosphere: Nitrogen atmosphere is recommended.  
(Oxygen concentration: 1000ppm or less)

- 注意
- ① リード実装部のマスク開口率は100~120%です。
  - ② 放熱板実装のマスク開口率は30%です。
  - ③ マスク厚み : t0.12 mm
  - ④ リフロー雰囲気・窒素雰囲気(酸素濃度1000ppm以下) 推奨

TITLE	HSNT-6-C -Land & Stencil Opening
No.	PJ006-B-LM-SD-1.0
ANGLE	
UNIT	mm
<b>ABLIC Inc.</b>	

## Disclaimers (Handling Precautions)

1. All the information described herein (product data, specifications, figures, tables, programs, algorithms and application circuit examples, etc.) is current as of publishing date of this document and is subject to change without notice.
2. The circuit examples and the usages described herein are for reference only, and do not guarantee the success of any specific mass-production design.  
ABLIC Inc. is not liable for any losses, damages, claims or demands caused by the reasons other than the products described herein (hereinafter "the products") or infringement of third-party intellectual property right and any other right due to the use of the information described herein.
3. ABLIC Inc. is not liable for any losses, damages, claims or demands caused by the incorrect information described herein.
4. Be careful to use the products within their ranges described herein. Pay special attention for use to the absolute maximum ratings, operation voltage range and electrical characteristics, etc.  
ABLIC Inc. is not liable for any losses, damages, claims or demands caused by failures and / or accidents, etc. due to the use of the products outside their specified ranges.
5. Before using the products, confirm their applications, and the laws and regulations of the region or country where they are used and verify suitability, safety and other factors for the intended use.
6. When exporting the products, comply with the Foreign Exchange and Foreign Trade Act and all other export-related laws, and follow the required procedures.
7. The products are strictly prohibited from using, providing or exporting for the purposes of the development of weapons of mass destruction or military use. ABLIC Inc. is not liable for any losses, damages, claims or demands caused by any provision or export to the person or entity who intends to develop, manufacture, use or store nuclear, biological or chemical weapons or missiles, or use any other military purposes.
8. The products are not designed to be used as part of any device or equipment that may affect the human body, human life, or assets (such as medical equipment, disaster prevention systems, security systems, combustion control systems, infrastructure control systems, vehicle equipment, traffic systems, in-vehicle equipment, aviation equipment, aerospace equipment, and nuclear-related equipment), excluding when specified for in-vehicle use or other uses by ABLIC, Inc. Do not apply the products to the above listed devices and equipments.  
ABLIC Inc. is not liable for any losses, damages, claims or demands caused by unauthorized or unspecified use of the products.
9. In general, semiconductor products may fail or malfunction with some probability. The user of the products should therefore take responsibility to give thorough consideration to safety design including redundancy, fire spread prevention measures, and malfunction prevention to prevent accidents causing injury or death, fires and social damage, etc. that may ensue from the products' failure or malfunction.  
The entire system in which the products are used must be sufficiently evaluated and judged whether the products are allowed to apply for the system on customer's own responsibility.
10. The products are not designed to be radiation-proof. The necessary radiation measures should be taken in the product design by the customer depending on the intended use.
11. The products do not affect human health under normal use. However, they contain chemical substances and heavy metals and should therefore not be put in the mouth. The fracture surfaces of wafers and chips may be sharp. Be careful when handling these with the bare hands to prevent injuries, etc.
12. When disposing of the products, comply with the laws and ordinances of the country or region where they are used.
13. The information described herein contains copyright information and know-how of ABLIC Inc. The information described herein does not convey any license under any intellectual property rights or any other rights belonging to ABLIC Inc. or a third party. Reproduction or copying of the information from this document or any part of this document described herein for the purpose of disclosing it to a third-party is strictly prohibited without the express permission of ABLIC Inc.
14. For more details on the information described herein or any other questions, please contact ABLIC Inc.'s sales representative.
15. This Disclaimers have been delivered in a text using the Japanese language, which text, despite any translations into the English language and the Chinese language, shall be controlling.

2.4-2019.07