

MXC シリーズ
SÉRIES

105°C 標準品
105°C Standard

・105°C 3000時間品。
Load Life : 105°C 3000 hours.



◆規格表 / SPECIFICATIONS

| 項目 Items | 特 性 Characteristics | | | | | | | | | | | | | | | | | | | | | | | | | |
|--|--|--|----------------------------|---------|---------|------------------|------|------|---------|------------------|---------------|---------|---------|---------------|------|------|------|------|------|------|------|------|------|------|------|--|
| カテゴリ温度範囲 Category Temperature Range | -40~+105°C | -25~+105°C | | | | | | | | | | | | | | | | | | | | | | | | |
| 定格電圧範囲 Rated Voltage Range | 10~250Vdc | 315~450Vdc | | | | | | | | | | | | | | | | | | | | | | | | |
| 静電容量許容差 Capacitance Tolerance | ±20% (20°C, 120Hz) | | | | | | | | | | | | | | | | | | | | | | | | | |
| 漏れ電流 Leakage Current (MAX) | $I=3\sqrt{CV}$ (定格電圧印加5分後) $I=3\sqrt{CV}$ (After 5 minutes application of rated voltage) I=漏れ電流(μA) Leakage Current C=静電容量(μF) Capacitance V=定格電圧(Vdc) Rated Voltage | | | | | | | | | | | | | | | | | | | | | | | | | |
| 損失角の正接 (tanδ) Dissipation Factor (MAX) | <table border="1"> <thead> <tr> <th>定格電圧(Vdc) Rated Voltage</th> <th>10</th> <th>16</th> <th>25</th> <th>35</th> <th>50</th> <th>63</th> <th>80</th> <th>100</th> <th>160~400</th> <th>420~450</th> <th>(20°C, 120Hz)</th> </tr> </thead> <tbody> <tr> <td>tanδ</td> <td>0.55</td> <td>0.50</td> <td>0.45</td> <td>0.40</td> <td>0.35</td> <td>0.30</td> <td>0.25</td> <td>0.20</td> <td>0.15</td> <td>0.20</td> <td></td> </tr> </tbody> </table> | | 定格電圧(Vdc) Rated Voltage | 10 | 16 | 25 | 35 | 50 | 63 | 80 | 100 | 160~400 | 420~450 | (20°C, 120Hz) | tanδ | 0.55 | 0.50 | 0.45 | 0.40 | 0.35 | 0.30 | 0.25 | 0.20 | 0.15 | 0.20 | |
| 定格電圧(Vdc) Rated Voltage | 10 | 16 | 25 | 35 | 50 | 63 | 80 | 100 | 160~400 | 420~450 | (20°C, 120Hz) | | | | | | | | | | | | | | | |
| tanδ | 0.55 | 0.50 | 0.45 | 0.40 | 0.35 | 0.30 | 0.25 | 0.20 | 0.15 | 0.20 | | | | | | | | | | | | | | | | |
| 耐 久 性 Endurance | 105°C中で3000時間定格電圧(リップル重畳)印加後、下記項目を満足すること。 After applying rated voltage with rated ripple current for 3000 hours at 105°C, the capacitors shall meet the following requirements. | | | | | | | | | | | | | | | | | | | | | | | | | |
| | 静電容量変化率 Capacitance Change | 初期値の±20%以内 Within ±20% of the initial value. | | | | | | | | | | | | | | | | | | | | | | | | |
| | 損失角の正接 Dissipation Factor | 規格値の200%以下 Not more than 200% of the specified value. | | | | | | | | | | | | | | | | | | | | | | | | |
| | 漏れ電流 Leakage Current | 規格値以下 Not more than the specified value. | | | | | | | | | | | | | | | | | | | | | | | | |
| 低温特性 Low Temperature Stability (インピーダンス比) Impedance Ratio (MAX) | <table border="1"> <thead> <tr> <th>定格電圧(Vdc) Rated Voltage</th> <th>10~250</th> <th>315~450</th> <th>(120Hz)</th> </tr> </thead> <tbody> <tr> <td>Z(-25°C)/Z(20°C)</td> <td>3</td> <td>8</td> <td></td> </tr> <tr> <td>Z(-40°C)/Z(20°C)</td> <td>12</td> <td>-</td> <td></td> </tr> </tbody> </table> | 定格電圧(Vdc) Rated Voltage | 10~250 | 315~450 | (120Hz) | Z(-25°C)/Z(20°C) | 3 | 8 | | Z(-40°C)/Z(20°C) | 12 | - | | | | | | | | | | | | | | |
| 定格電圧(Vdc) Rated Voltage | 10~250 | 315~450 | (120Hz) | | | | | | | | | | | | | | | | | | | | | | | |
| Z(-25°C)/Z(20°C) | 3 | 8 | | | | | | | | | | | | | | | | | | | | | | | | |
| Z(-40°C)/Z(20°C) | 12 | - | | | | | | | | | | | | | | | | | | | | | | | | |

◆リップル電流補正係数 / MULTIPLIER FOR RIPPLE CURRENT

| 周波数(Hz) Frequency | 60(50) | 120(100) | 300 | 500 | 1k | 10k≤ |
|----------------------|--------|----------|------|------|------|------|
| 10~100Vdc | 0.90 | 1.00 | 1.03 | 1.05 | 1.10 | 1.15 |
| 160~250Vdc | 0.80 | 1.00 | 1.15 | 1.20 | 1.30 | 1.50 |
| 315~450Vdc | 0.80 | 1.00 | 1.15 | 1.20 | 1.25 | 1.40 |

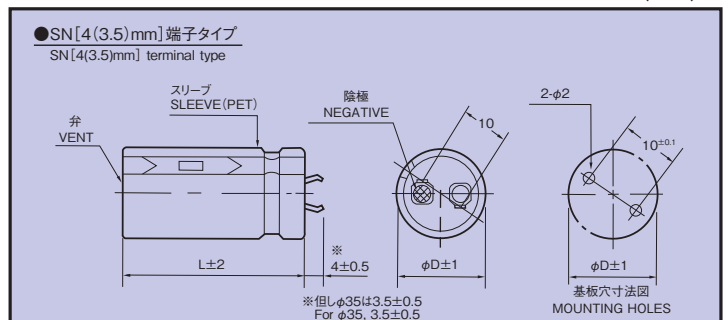
◆呼称方法 / PART NUMBER

□□□ MXC □□□□□ M □□□ SN DXL
 定格電圧 シリーズ名 静電容量 静電容量許容差 副記号 端子記号 ケースサイズ
 Rated Voltage Series Capacitance Capacitance Tolerance Option Terminal Code Case Size

◆副記号 / OPTION

| 記号 Code |
|---|
| PETスリーブ、底板なし PET Sleeve without plate EFC |

◆寸法図 / DIMENSIONS





基板自立形アルミニウム電解コンデンサ

SNAP-IN ALUMINUM ELECTROLYTIC CAPACITORS

MXC

◆標準品一覧表 STANDARD SIZE

| Cap (μ F) | Vdc ϕ D | 10 | | | | | 16 | | | | | |
|-------------------|-----------------|------------|------------|------------|------------|------------|------------|------------|------------|------------|------------|--|
| | | ϕ 20 | ϕ 22 | ϕ 25 | ϕ 30 | ϕ 35 | ϕ 20 | ϕ 22 | ϕ 25 | ϕ 30 | ϕ 35 | |
| 6800 | | 20×25:1.31 | | | | | 20×25:1.80 | | | | | |
| 8200 | | 20×30:1.59 | | | | | 20×30:2.08 | 22×25:2.08 | | | | |
| 10000 | | 20×30:1.88 | 22×25:1.77 | | | | 20×35:2.15 | 22×30:2.15 | | | | |
| 12000 | | 20×35:2.18 | 22×30:2.10 | 25×25:1.94 | | | 20×40:2.31 | 22×30:2.31 | 25×25:2.31 | | | |
| 15000 | | 20×40:2.27 | 22×35:2.23 | 25×30:2.10 | | | | 22×35:2.68 | 25×30:2.68 | | | |
| 18000 | | | 22×40:2.41 | 25×30:2.34 | 30×25:2.25 | | | 22×40:3.20 | 25×30:3.20 | 30×25:3.20 | | |
| 22000 | | | 22×45:2.58 | 25×35:2.54 | 30×30:2.50 | | | 22×45:3.36 | 25×35:3.36 | 30×30:3.36 | | |
| 27000 | | | 22×50:3.17 | 25×40:3.07 | 30×30:2.95 | | | 22×50:3.85 | 25×40:3.85 | 30×30:3.85 | | |
| 33000 | | | | 25×45:3.39 | 30×35:3.33 | 35×30:3.21 | | | 25×45:4.30 | 30×35:4.30 | 35×30:4.30 | |
| 39000 | | | | | 30×40:3.70 | 35×35:3.68 | | | 25×50:4.81 | 30×40:4.81 | 35×35:4.81 | |
| 47000 | | | | | 30×45:4.22 | 35×40:4.16 | | | | 30×45:5.53 | 35×40:5.53 | |
| 56000 | | | | | | 35×45:5.00 | | | | 30×50:6.00 | 35×45:6.00 | |
| 68000 | | | | | | | | | | | 35×50:6.40 | |

| Cap (μ F) | Vdc ϕ D | 25 | | | | | 35 | | | | | |
|-------------------|-----------------|------------|------------|------------|------------|------------|------------|------------|------------|------------|------------|--|
| | | ϕ 20 | ϕ 22 | ϕ 25 | ϕ 30 | ϕ 35 | ϕ 20 | ϕ 22 | ϕ 25 | ϕ 30 | ϕ 35 | |
| 2700 | | | | | | | 20×25:1.29 | | | | | |
| 3300 | | | | | | | 20×30:1.57 | | | | | |
| 3900 | | | | | | | 20×30:1.78 | 22×25:1.78 | | | | |
| 4700 | | 20×25:1.65 | | | | | 20×35:2.02 | 22×30:2.02 | | | | |
| 5600 | | 20×30:1.85 | 22×25:1.85 | | | | 20×40:2.13 | 22×35:2.13 | 25×25:2.13 | | | |
| 6800 | | 20×35:2.11 | 22×30:2.11 | | | | | 22×40:2.41 | 25×30:2.41 | | | |
| 8200 | | 20×40:2.34 | 22×30:2.34 | 25×25:2.34 | | | | 22×45:2.85 | 25×35:2.85 | 30×25:2.85 | | |
| 10000 | | | 22×35:2.65 | 25×30:2.65 | | | | 22×50:3.05 | 25×40:3.05 | 30×30:3.05 | | |
| 12000 | | | 22×40:2.81 | 25×30:2.81 | 30×25:2.81 | | | | 25×45:3.37 | 30×35:3.37 | 35×30:3.37 | |
| 15000 | | | 22×45:3.13 | 25×35:3.13 | 30×30:3.13 | | | | 25×50:3.72 | 30×40:3.72 | 35×35:3.72 | |
| 18000 | | | | 25×40:3.56 | 30×30:3.56 | | | | | 30×45:4.37 | 35×35:4.37 | |
| 22000 | | | | 25×50:4.04 | 30×35:4.04 | 35×30:4.04 | | | | 30×50:4.92 | 35×40:4.92 | |
| 27000 | | | | | 30×40:4.74 | 35×35:4.74 | | | | | 35×50:5.30 | |
| 33000 | | | | | 30×50:5.50 | 35×40:5.50 | | | | | | |
| 39000 | | | | | | 35×45:5.80 | | | | | | |
| 47000 | | | | | | 35×50:6.30 | | | | | | |

| Cap (μ F) | Vdc ϕ D | 50 | | | | | 63 | | | | | |
|-------------------|-----------------|------------|------------|------------|------------|------------|------------|------------|------------|------------|------------|--|
| | | ϕ 20 | ϕ 22 | ϕ 25 | ϕ 30 | ϕ 35 | ϕ 20 | ϕ 22 | ϕ 25 | ϕ 30 | ϕ 35 | |
| 1200 | | | | | | | 20×25:1.20 | | | | | |
| 1500 | | | | | | | 20×30:1.47 | 22×25:1.47 | | | | |
| 1800 | | 20×25:1.39 | | | | | 20×35:1.58 | 22×30:1.58 | | | | |
| 2200 | | 20×30:1.60 | 22×25:1.60 | | | | 20×40:1.82 | 22×35:1.82 | 25×25:1.82 | | | |
| 2700 | | 20×35:1.73 | 22×30:1.73 | 25×25:1.73 | | | | 22×35:2.11 | 25×30:2.11 | | | |
| 3300 | | 20×40:1.97 | 22×35:1.97 | 25×30:1.97 | | | | 22×45:2.33 | 25×35:2.33 | 30×25:2.33 | | |
| 3900 | | | 22×40:2.22 | 25×30:2.22 | | | | 22×50:2.55 | 25×40:2.55 | 30×30:2.55 | | |
| 4700 | | | 22×45:2.43 | 25×35:2.43 | 30×25:2.43 | | | | 25×45:2.97 | 30×35:2.97 | | |
| 5600 | | | 22×50:2.75 | 25×40:2.75 | 30×30:2.75 | | | | 25×50:3.22 | 30×35:3.22 | 35×30:3.22 | |
| 6800 | | | | 25×45:3.30 | 30×35:3.30 | | | | | 30×40:3.65 | 35×35:3.65 | |
| 8200 | | | | 25×50:3.60 | 30×40:3.60 | 35×30:3.60 | | | | 30×50:4.04 | 35×40:4.04 | |
| 10000 | | | | | 30×45:4.05 | 35×35:4.05 | | | | | 35×45:4.48 | |
| 12000 | | | | | 30×50:4.56 | 35×40:4.56 | | | | | 35×50:4.75 | |
| 15000 | | | | | | 35×50:4.77 | | | | | | |

| Cap (μ F) | Vdc ϕ D | 80 | | | | | 100 | | | | | |
|-------------------|-----------------|------------|------------|------------|------------|------------|------------|------------|------------|------------|------------|--|
| | | ϕ 20 | ϕ 22 | ϕ 25 | ϕ 30 | ϕ 35 | ϕ 20 | ϕ 22 | ϕ 25 | ϕ 30 | ϕ 35 | |
| 560 | | | | | | | 20×25:0.95 | | | | | |
| 680 | | | | | | | 20×30:1.15 | 22×25:1.15 | | | | |
| 820 | | 20×25:1.04 | | | | | 20×35:1.32 | 22×30:1.32 | | | | |
| 1000 | | 20×30:1.24 | 22×25:1.24 | | | | 20×35:1.47 | 22×30:1.47 | 25×25:1.47 | | | |
| 1200 | | 20×35:1.44 | 22×30:1.44 | | | | 20×40:1.69 | 22×35:1.69 | 25×30:1.69 | | | |
| 1500 | | 20×35:1.59 | 22×30:1.59 | 25×25:1.59 | | | | 22×40:1.98 | 25×35:1.98 | 30×25:1.98 | | |
| 1800 | | 20×40:1.79 | 22×35:1.79 | 25×30:1.79 | | | | 22×45:2.23 | 25×35:2.23 | 30×30:2.23 | | |
| 2200 | | | 22×40:2.03 | 25×30:2.03 | 30×25:2.03 | | | | 25×45:2.55 | 30×35:2.55 | 35×30:2.55 | |
| 2700 | | | 22×45:2.39 | 25×35:2.39 | 30×30:2.39 | | | | 25×50:2.89 | 30×40:2.89 | 35×30:2.89 | |
| 3300 | | | | 25×40:2.64 | 30×35:2.64 | | | | | 30×45:3.30 | 35×35:3.30 | |
| 3900 | | | | 25×50:2.97 | 30×35:2.97 | 35×30:2.97 | | | | 30×50:3.67 | 35×40:3.67 | |
| 4700 | | | | | 30×40:3.38 | 35×35:3.38 | | | | | 35×45:3.80 | |
| 5600 | | | | | 30×45:3.80 | 35×40:3.80 | | | | | 35×50:4.05 | |
| 6800 | | | | | | 35×45:4.10 | | | | | | |
| 8200 | | | | | | 35×50:4.30 | | | | | | |

↑ リプル電流 Ripple Current (A r.m.s./120Hz, 105°C)
↑ ケースサイズ Case Size ϕ D×L(mm)



基板自立形アルミニウム電解コンデンサ

SNAP-IN ALUMINUM ELECTROLYTIC CAPACITORS

MXC

◆標準品一覧表 STANDARD SIZE

| Cap (μ F) | Vdc ϕ D | 160 | | | | | 180 | | | | |
|-------------------|-----------------|------------|------------|------------|------------|------------|------------|------------|------------|------------|------------|
| | | ϕ 20 | ϕ 22 | ϕ 25 | ϕ 30 | ϕ 35 | ϕ 20 | ϕ 22 | ϕ 25 | ϕ 30 | ϕ 35 |
| 270 | | 20x25:1.10 | | | | | 20x25:0.93 | | | | |
| 330 | | 20x30:1.20 | 22x25:1.21 | | | | 20x30:1.20 | 22x25:1.20 | | | |
| 390 | | 20x30:1.24 | 22x25:1.30 | | | | 20x35:1.30 | 22x30:1.35 | | | |
| 470 | | 20x35:1.42 | 22x30:1.41 | | | | 20x40:1.40 | 22x35:1.42 | 25x25:1.38 | | |
| 560 | | 20x40:1.57 | 22x35:1.54 | 25x25:1.51 | | | 20x45:1.55 | 22x40:1.60 | 25x30:1.55 | | |
| 680 | | 20x45:1.70 | 22x40:1.74 | 25x30:1.74 | 30x25:1.74 | | | 22x45:1.78 | 25x35:1.78 | 30x25:1.55 | |
| 820 | | | 22x45:2.00 | 25x35:2.00 | 30x30:2.00 | | | 22x50:2.00 | 25x40:2.00 | 30x30:2.00 | 35x25:2.00 |
| 1000 | | | 22x50:2.25 | 25x40:2.25 | 30x30:2.25 | 35x25:2.25 | | | 25x45:2.25 | 30x35:2.25 | 35x30:2.26 |
| 1200 | | | | 25x45:2.49 | 30x35:2.49 | 35x30:2.45 | | | 25x50:2.54 | 30x40:2.52 | 35x30:2.60 |
| 1500 | | | | | 30x40:2.84 | 35x30:2.68 | | | | 30x45:2.90 | 35x35:2.95 |
| 1800 | | | | | 30x45:3.32 | 35x35:3.00 | | | | 30x50:3.00 | 35x40:3.30 |
| 2200 | | | | | | 35x45:3.50 | | | | | 35x50:3.65 |
| 2700 | | | | | | 35x50:4.00 | | | | | |

| Cap (μ F) | Vdc ϕ D | 200 | | | | | 220 | | | | |
|-------------------|-----------------|------------|------------|------------|------------|------------|------------|------------|------------|------------|------------|
| | | ϕ 20 | ϕ 22 | ϕ 25 | ϕ 30 | ϕ 35 | ϕ 20 | ϕ 22 | ϕ 25 | ϕ 30 | ϕ 35 |
| 180 | | | | | | | 20x25:0.86 | | | | |
| 220 | | 20x25:1.00 | | | | | 20x30:1.04 | 22x25:0.99 | | | |
| 270 | | 20x30:1.10 | 22x25:1.10 | | | | 20x30:1.08 | 22x25:1.04 | | | |
| 330 | | 20x30:1.15 | 22x30:1.25 | | | | 20x35:1.30 | 22x30:1.32 | 25x25:1.26 | | |
| 390 | | 20x35:1.25 | 22x30:1.31 | 25x25:1.31 | | | 20x40:1.45 | 22x35:1.42 | 25x30:1.45 | | |
| 470 | | 20x40:1.42 | 22x35:1.45 | 25x30:1.45 | | | 20x45:1.63 | 22x40:1.67 | 25x30:1.54 | 30x25:1.48 | |
| 560 | | | 22x40:1.60 | 25x30:1.60 | 30x25:1.60 | | | 22x45:1.77 | 25x35:1.66 | 30x30:1.65 | |
| 680 | | | 22x45:1.75 | 25x35:1.78 | 30x30:1.78 | | | | 25x40:1.87 | 30x30:1.82 | 35x25:1.78 |
| 820 | | | 22x50:1.95 | 25x40:1.95 | 30x30:2.00 | | | | 25x45:2.04 | 30x35:2.00 | 35x30:1.93 |
| 1000 | | | | 25x45:2.10 | 30x35:2.30 | 35x30:2.30 | | | | 30x40:2.48 | 35x35:2.33 |
| 1200 | | | | | 30x40:2.64 | 35x35:2.65 | | | | 30x45:2.88 | 35x40:2.65 |
| 1500 | | | | | 30x50:3.08 | 35x40:3.08 | | | | | 35x45:2.96 |
| 1800 | | | | | | 35x45:3.48 | | | | | 35x50:3.39 |
| 2200 | | | | | | 35x50:3.55 | | | | | |

| Cap (μ F) | Vdc ϕ D | 250 | | | | | 315 | | | | |
|-------------------|-----------------|------------|------------|------------|------------|------------|------------|------------|------------|------------|------------|
| | | ϕ 20 | ϕ 22 | ϕ 25 | ϕ 30 | ϕ 35 | ϕ 20 | ϕ 22 | ϕ 25 | ϕ 30 | ϕ 35 |
| 82 | | | | | | | 20x25:0.64 | | | | |
| 100 | | | | | | | 20x30:0.69 | 22x25:0.62 | | | |
| 120 | | | | | | | 20x30:0.75 | 22x25:0.75 | 25x25:0.76 | | |
| 150 | | | | | | | 20x35:0.82 | 22x30:0.82 | 25x25:0.82 | | |
| 180 | | | | | | | 20x40:0.90 | 22x35:0.92 | 25x25:0.90 | | |
| 220 | | 20x30:1.00 | 22x25:1.00 | | | | 20x50:1.00 | 22x40:1.04 | 25x30:1.04 | 30x25:1.04 | |
| 270 | | 20x35:1.10 | 22x30:1.15 | | | | | 22x45:1.16 | 25x35:1.15 | 30x25:1.15 | 35x25:1.15 |
| 330 | | 20x40:1.20 | 22x35:1.28 | | | | | 22x50:1.22 | 25x40:1.23 | 30x30:1.33 | 35x25:1.32 |
| 390 | | 20x45:1.35 | 22x40:1.49 | 25x30:1.35 | 30x25:1.49 | | | | 25x45:1.40 | 30x35:1.47 | 35x30:1.47 |
| 470 | | | 22x45:1.60 | 25x35:1.57 | 30x30:1.65 | | | | | 30x40:1.70 | 35x30:1.70 |
| 560 | | | 22x50:1.72 | 25x40:1.80 | 30x30:1.80 | | | | | 30x45:2.05 | 35x35:1.90 |
| 680 | | | | 25x45:1.85 | 30x35:2.00 | 35x30:2.00 | | | | 30x50:2.14 | 35x40:2.17 |
| 820 | | | | 25x50:2.10 | 30x40:2.18 | 35x35:2.30 | | | | | 35x45:2.20 |
| 1000 | | | | | 30x45:2.40 | 35x35:2.35 | | | | | |
| 1200 | | | | | | 35x40:2.50 | | | | | |
| 1500 | | | | | | 35x50:3.00 | | | | | |

| Cap (μ F) | Vdc ϕ D | 350 | | | | | 385 | | | | |
|-------------------|-----------------|------------|------------|------------|------------|------------|------------|------------|------------|------------|------------|
| | | ϕ 20 | ϕ 22 | ϕ 25 | ϕ 30 | ϕ 35 | ϕ 20 | ϕ 22 | ϕ 25 | ϕ 30 | ϕ 35 |
| 56 | | | | | | | 20x25:0.42 | | | | |
| 68 | | 20x25:0.47 | | | | | 20x30:0.47 | 22x25:0.49 | | | |
| 82 | | 20x30:0.55 | | | | | 20x30:0.52 | 22x25:0.55 | | | |
| 100 | | 20x30:0.60 | 22x25:0.69 | | | | 20x35:0.60 | 22x30:0.66 | 25x25:0.66 | | |
| 120 | | 20x35:0.70 | 22x30:0.75 | 25x25:0.75 | | | 20x40:0.68 | 22x35:0.71 | 25x25:0.71 | | |
| 150 | | 20x40:0.78 | 22x35:0.82 | 25x30:0.83 | | | | 22x40:0.83 | 25x30:0.83 | 30x25:0.77 | |
| 180 | | 20x45:0.88 | 22x40:0.92 | 25x30:0.92 | 30x25:0.92 | | | 22x45:0.92 | 25x35:0.92 | 30x30:0.89 | |
| 220 | | | 22x45:1.05 | 25x35:1.05 | 30x30:1.02 | | | 22x50:1.03 | 25x40:1.03 | 30x30:1.01 | 35x25:1.03 |
| 270 | | | 22x50:1.18 | 25x40:1.18 | 30x30:1.18 | 35x25:1.20 | | | 25x45:1.14 | 30x35:1.15 | 35x30:1.13 |
| 330 | | | | 25x45:1.30 | 30x35:1.35 | 35x30:1.22 | | | | 30x40:1.32 | 35x30:1.35 |
| 390 | | | | 25x50:1.45 | 30x40:1.52 | 35x35:1.48 | | | | 30x45:1.46 | 35x35:1.50 |
| 470 | | | | | 30x45:1.65 | 35x35:1.70 | | | | 30x50:1.72 | 35x40:1.79 |
| 560 | | | | | 30x50:1.85 | 35x40:1.90 | | | | | 35x45:1.99 |
| 680 | | | | | | 35x45:2.00 | | | | | |

↑ リプル電流 Ripple Current (A r.m.s./120Hz, 105°C)
↑ ケースサイズ Case Size ϕ D×L(mm)

◆標準品一覧表 STANDARD SIZE

| Cap (μ F) | Vdc ϕ D | 400 | | | | | 420 | | | | | |
|-------------------|-----------------|------------|------------|------------|------------|------------|------------|------------|------------|------------|------------|--|
| | | ϕ 20 | ϕ 22 | ϕ 25 | ϕ 30 | ϕ 35 | ϕ 20 | ϕ 22 | ϕ 25 | ϕ 30 | ϕ 35 | |
| 56 | | 20×25:0.51 | | | | | 20×25:0.44 | | | | | |
| 68 | | 20×30:0.56 | 22×25:0.52 | | | | 20×30:0.49 | 22×25:0.51 | | | | |
| 82 | | 20×30:0.64 | 22×25:0.64 | | | | 20×35:0.54 | 22×30:0.65 | 25×25:0.65 | | | |
| 100 | | 20×35:0.70 | 22×30:0.70 | 25×25:0.70 | | | 20×35:0.61 | 22×30:0.68 | 25×25:0.67 | | | |
| 120 | | 20×40:0.75 | 22×35:0.75 | 25×25:0.75 | | | 20×40:0.70 | 22×35:0.73 | 25×30:0.76 | 30×25:0.81 | | |
| 150 | | 20×45:0.83 | 22×40:0.88 | 25×30:0.88 | 30×25:0.82 | | 20×45:0.78 | 22×40:0.86 | 25×35:0.87 | 30×25:0.84 | | |
| 180 | | | 22×45:0.98 | 25×35:0.98 | 30×30:0.95 | | | 22×45:0.96 | 25×35:0.95 | 30×30:0.97 | 35×25:0.91 | |
| 220 | | | 22×50:1.10 | 25×40:1.10 | 30×30:1.10 | 35×25:1.10 | | | 25×40:1.08 | 30×35:1.14 | 35×30:1.07 | |
| 270 | | | | 25×45:1.21 | 30×35:1.22 | 35×30:1.22 | | | 25×50:1.38 | 30×35:1.20 | 35×35:1.29 | |
| 330 | | | | | 30×40:1.44 | 35×30:1.44 | | | | 30×40:1.37 | 35×35:1.44 | |
| 390 | | | | | 30×45:1.55 | 35×35:1.60 | | | | 30×45:1.50 | 35×40:1.63 | |
| 470 | | | | | | 35×40:1.90 | | | | | 35×45:1.88 | |
| 560 | | | | | | 35×45:2.12 | | | | | | |

| Cap (μ F) | Vdc ϕ D | 450 | | | | |
|-------------------|-----------------|------------|------------|------------|------------|------------|
| | | ϕ 20 | ϕ 22 | ϕ 25 | ϕ 30 | ϕ 35 |
| 47 | | 20×25:0.39 | | | | |
| 56 | | 20×30:0.51 | 22×25:0.44 | | | |
| 68 | | 20×35:0.56 | 22×30:0.53 | | | |
| 82 | | 20×35:0.64 | 22×30:0.64 | 25×25:0.64 | | |
| 100 | | 20×45:0.69 | 22×35:0.69 | 25×30:0.69 | 30×25:0.69 | |
| 120 | | 20×50:0.75 | 22×40:0.75 | 25×30:0.75 | 30×25:0.80 | |
| 150 | | | 22×45:0.88 | 25×35:0.88 | 30×30:0.88 | 35×25:0.75 |
| 180 | | | | 25×40:0.95 | 30×30:1.00 | 35×30:0.86 |
| 220 | | | | 25×45:1.10 | 30×35:1.12 | 35×30:1.05 |
| 270 | | | | | 30×40:1.28 | 35×35:1.27 |
| 330 | | | | | 30×50:1.45 | 35×40:1.45 |
| 390 | | | | | | 35×40:1.65 |
| 470 | | | | | | 35×50:1.85 |

↑ リプル電流 Ripple Current (A r.m.s./120Hz, 105°C)
 ↑ ケースサイズ Case Size ϕ D×L(mm)