



**X-CON BRAND**  
**CONDUCTIVE POLYMER ALUMINUM SOLID CAPACITORS**  
**PRODUCT SPECIFICATION**  
**規格書**

<b>CUSTOMER :</b> (客户):	<b>DATE :</b> (日期): 2015-01-20
----------------------------	-----------------------------------

CATEGORY (品名)	: CONDUCTIVE POLYMER ALUMINUM SOLID CAPACITORS
DESCRIPTION (型号)	: ULR 10V1200 $\mu$ F ( $\phi$ 10x12.5)
VERSION (版本)	: 01
Customer P/N	: /
SUPPLIER	: /

<b>SUPPLIER</b>	
<b>PREPARED</b> (拟定)	<b>CHECKED</b> (审核)
叶青	Jan

<b>CUSTOMER</b>	
<b>APPROVAL</b> (批准)	<b>SIGNATURE</b> (签名)



X-CON Electronics Limited	Conductive Polymer Aluminum Solid Capacitors ULR Series	<b>X-CON</b>	

## CONTENTS

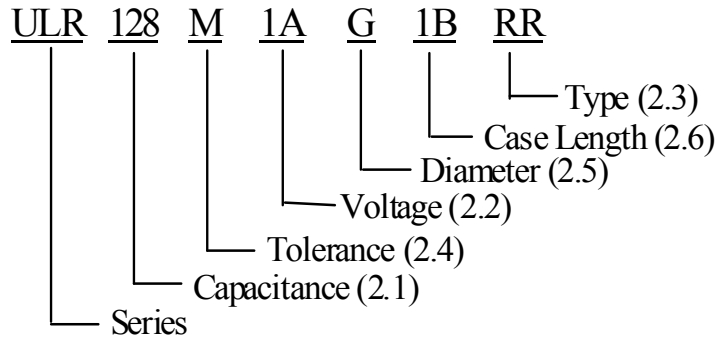
	<b>Sheet</b>
1. Application	3
2. Part Number System	3
3. Construction	4
4. Characteristics	5~11
4.1 Rated voltage & Surge voltage	
4.2 Capacitance (Tolerance)	
4.3 Leakage current	
4.4 Tangent of loss angle	
4.5 ESR	
4.6 Temperature characteristic	
4.7 Load life test	
4.8 Surge test	
4.9 Damp heat test	
4.10 Maximum permissible ripple current	
4.11 Rapid change of temperature	
4.12 Lead strength	
4.13 Resistance to vibration	
4.14 Solderability	
4.15 Resistance to soldering heat	
5. Product Marking	12
6. Product Dimensions, Impedance & Maximum Permissible Ripple Current	13
7. Application Guideline	14~15
7-1 Circuit design	
7-2 Voltage	
7-3 Sudden charge and discharge restricted	
7-4 Ripple current	
7-5 Leakage current	
7-6 Failure rate	
7-7 Capacitor insulation	
7-8 Precautions for using capacitors	
8. Long Term Storage	
9. Mounting Precautions	15
10. List of “Environment-related Substances to be Controlled (‘Controlled Substances’)”	16

Issued-date: 2015-01-20	Name	Specification Sheet – ULR		
Version	01		Page	2
STANDARD MANUAL				

**1. Application**

This specification applies to conductive polymer aluminum solid capacitors used in electronic equipment.

**2. Part Number System**



2.1 Capacitance code

<b>Code</b>	<b>128</b>
Capacitance ( $\mu$ F)	1200

2.2 Rated voltage code

<b>Code</b>	<b>1A</b>
Voltage (W.V.)	10

2.3 Type

<b>Code</b>	<b>RR</b>
Type	Bulk

2.4 Capacitance tolerance

“M” stands for -20% ~ +20%

2.5 Diameter

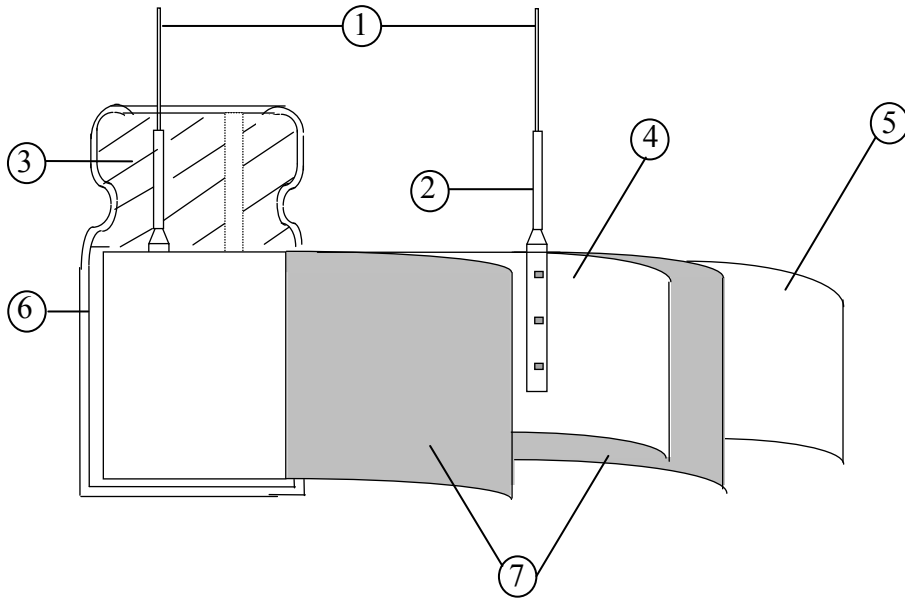
<b>Code</b>	<b>G</b>
Diameter	10

2.6 Case length

1B=12.5mm

### 3. Construction

Single ended type to be produced to fix the terminals to anode and cathode foil, and wind together with paper, and then wound element to be formed and carbonized, impregnated with polymer and polymerized, then will be enclosed in an aluminum case. Finally sealed up tightly with end seal rubber.



No	Component	Material
1	Lead Line	Tinned Copper Line or CP Line(Pb Free)
2	Terminal	Aluminum
3	Sealing Material	Rubber
4	Al-Foil (+)	Aluminum
5	Al-Foil (-)	Aluminum
6	Case	Aluminum
7	Electrolyte paper	Manila Hemp

X-CON Electronics Limited	Conductive Polymer Aluminum Solid Capacitors ULR Series	<b>X-CON</b>	

#### 4. Characteristics

Standard atmospheric conditions

Unless otherwise specified, the standard range of atmospheric conditions for making measurements and tests is as follows:

Ambient temperature: 15°C to 35°C  
 Relative humidity : 45% to 75%  
 Air Pressure : 86kPa to 106kPa

If there is any doubt about the results, measurement shall be made within the following conditions:

Ambient temperature: 20°C ± 2°C  
 Relative humidity : 60% to 70%  
 Air Pressure : 86kPa to 106kPa

Operating temperature range

The ambient temperature range at which the capacitor can be operated continuously at rated voltage is -55°C to 105°C.

Issued-date: 2015-01-20	Name	Specification Sheet – ULR		
Version	01		Page	5
STANDARD MANUAL				

X-CON Electronics Limited	Conductive Polymer Aluminum Solid Capacitors ULR Series	<b>X-CON</b>	

ITEM		PERFORMANCE				
4.1	Rated voltage (WV)	<table border="1"> <tr> <td>WV (V.DC)</td> <td>10</td> </tr> <tr> <td>SV (V.DC)</td> <td>12</td> </tr> </table>	WV (V.DC)	10	SV (V.DC)	12
	WV (V.DC)		10			
SV (V.DC)	12					
	Surge voltage (SV)					
4.2	Nominal capacitance (Tolerance)	<p><b>&lt;Condition&gt;</b>  Measuring Frequency : 120Hz±12Hz  Measuring Voltage : Not more than 0.5Vrms  Measuring Temperature : 20±2℃</p> <p><b>&lt;Criteria&gt;</b>  Shall be within the specified capacitance tolerance.</p>				
4.3	Leakage current	<p><b>&lt;Condition&gt;</b>  After DC Voltage is applied to capacitors through the series protective resistor (1kΩ ± 10Ω) so that terminal voltage may reach the rated voltage. The leakage current when measured after 2 minutes shall not exceed the values of the following equation. In case leakage current value exceed the value shown in Table 3, remeasure after voltage treatment that applies the rated voltage shown in 4.1 for 120minutes at 105℃</p> <p><b>&lt;Criteria&gt;</b>  See Table 3</p>				
4.4	tan δ	<p><b>&lt;Condition&gt;</b>  See 4.2, for measuring frequency, voltage and temperature.</p> <p><b>&lt;Criteria&gt;</b></p> <table border="1"> <tr> <td>Working voltage (v)</td> <td>10</td> </tr> <tr> <td>tan δ (max.)</td> <td>0.10</td> </tr> </table>	Working voltage (v)	10	tan δ (max.)	0.10
Working voltage (v)	10					
tan δ (max.)	0.10					
4.5	ESR	<p><b>&lt;Condition&gt;</b>  Measuring frequency : 100kHz to 300kHz;  Measuring temperature:20±2℃  Measuring point : 1mm max from the surface of a sealing resin on the lead wire.</p> <p><b>&lt;Criteria&gt;</b>  (20℃)Less than the initial limit(See Table 3).</p>				

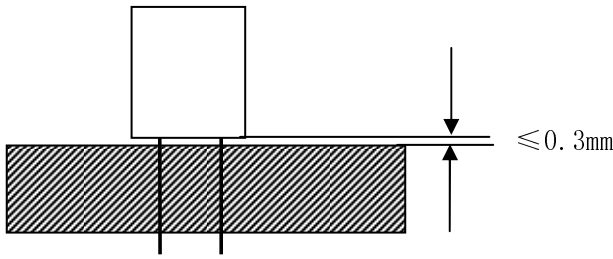
Issued-date: 2015-01-20	Name	Specification Sheet – ULR	
Version	01	Page	6
STANDARD MANUAL			

4.6	Temperature characteristic	<p><b>&lt;Condition&gt;</b></p> <table border="1"> <thead> <tr> <th>STEP</th> <th>Temperature(°C)</th> <th>Item</th> <th>Characteristics</th> </tr> </thead> <tbody> <tr> <td style="text-align: center;">1</td> <td style="text-align: center;"><math>20 \pm 2</math></td> <td>Measure: Capacitance, <math>\tan \delta</math>、 Impedance</td> <td style="text-align: center;">-----</td> </tr> <tr> <td style="text-align: center;">2</td> <td style="text-align: center;"><math>-55 \pm 3</math></td> <td style="text-align: center;"><math>Z_{-55^{\circ}\text{C}} / 20^{\circ}\text{C}</math></td> <td style="text-align: center;"><math>\leq 1.25</math></td> </tr> <tr> <td style="text-align: center;">3</td> <td style="text-align: center;">Keep at 15 to 35°C for 15 minutes or more</td> <td style="text-align: center;">-----</td> <td style="text-align: center;">-----</td> </tr> <tr> <td style="text-align: center;">4</td> <td style="text-align: center;"><math>105 \pm 2</math></td> <td style="text-align: center;"><math>Z_{105^{\circ}\text{C}} / 20^{\circ}\text{C}</math></td> <td style="text-align: center;"><math>\leq 1.25</math></td> </tr> <tr> <td rowspan="2" style="text-align: center;">5</td> <td rowspan="2" style="text-align: center;"><math>20 \pm 2</math></td> <td style="text-align: center;"><math>\Delta C/C</math> 20°C</td> <td style="text-align: center;">Within <math>\pm 5\%</math> of step1</td> </tr> <tr> <td style="text-align: center;"><math>\tan \delta</math></td> <td style="text-align: center;">Less than or equal to the value of item 4.4</td> </tr> </tbody> </table> <p>a. <math>Z_{-55^{\circ}\text{C}}</math> or <math>105^{\circ}\text{C} / Z_{20^{\circ}\text{C}}</math>: impedance ratio at 100kHz;  b. <math>\Delta C/C</math> 20°C: Capacitance change at 120Hz;  c. <math>\tan \delta</math> at 120Hz.</p>	STEP	Temperature(°C)	Item	Characteristics	1	$20 \pm 2$	Measure: Capacitance, $\tan \delta$ 、 Impedance	-----	2	$-55 \pm 3$	$Z_{-55^{\circ}\text{C}} / 20^{\circ}\text{C}$	$\leq 1.25$	3	Keep at 15 to 35°C for 15 minutes or more	-----	-----	4	$105 \pm 2$	$Z_{105^{\circ}\text{C}} / 20^{\circ}\text{C}$	$\leq 1.25$	5	$20 \pm 2$	$\Delta C/C$ 20°C	Within $\pm 5\%$ of step1	$\tan \delta$	Less than or equal to the value of item 4.4
STEP	Temperature(°C)	Item	Characteristics																									
1	$20 \pm 2$	Measure: Capacitance, $\tan \delta$ 、 Impedance	-----																									
2	$-55 \pm 3$	$Z_{-55^{\circ}\text{C}} / 20^{\circ}\text{C}$	$\leq 1.25$																									
3	Keep at 15 to 35°C for 15 minutes or more	-----	-----																									
4	$105 \pm 2$	$Z_{105^{\circ}\text{C}} / 20^{\circ}\text{C}$	$\leq 1.25$																									
5	$20 \pm 2$	$\Delta C/C$ 20°C	Within $\pm 5\%$ of step1																									
		$\tan \delta$	Less than or equal to the value of item 4.4																									
4.7	Load life test	<p><b>&lt;Condition&gt;</b>  The Capacitor is stored at a temperature of <math>105 \pm 2^{\circ}\text{C}</math> with rated voltage for 2000 +48/0 hours . The result should meet the following table:</p> <p><b>&lt;Criteria&gt;</b></p> <table border="1"> <thead> <tr> <th>Item</th> <th>Performance</th> </tr> </thead> <tbody> <tr> <td>Capacitance Change</td> <td>Within <math>\pm 20\%</math> of initial capacitance</td> </tr> <tr> <td><math>\tan \delta</math></td> <td>Less than or equal to 1.5 times of the value of item 4.4</td> </tr> <tr> <td>ESR</td> <td>Less than or equal to 1.5 times of the value of item 4.5</td> </tr> <tr> <td>Leakage current</td> <td>Less than or equal to the value of item 4.3</td> </tr> <tr> <td>Appearance</td> <td>Notable changes shall not be found.</td> </tr> </tbody> </table>	Item	Performance	Capacitance Change	Within $\pm 20\%$ of initial capacitance	$\tan \delta$	Less than or equal to 1.5 times of the value of item 4.4	ESR	Less than or equal to 1.5 times of the value of item 4.5	Leakage current	Less than or equal to the value of item 4.3	Appearance	Notable changes shall not be found.														
Item	Performance																											
Capacitance Change	Within $\pm 20\%$ of initial capacitance																											
$\tan \delta$	Less than or equal to 1.5 times of the value of item 4.4																											
ESR	Less than or equal to 1.5 times of the value of item 4.5																											
Leakage current	Less than or equal to the value of item 4.3																											
Appearance	Notable changes shall not be found.																											



4.8	Surge test	<p><b>&lt;Condition&gt;</b> Applied a surge voltage to the capacitor connected with a <math>(100 \pm 50)/C_R</math> (k<math>\Omega</math>) resistor. The capacitor shall be submitted to 1000 cycles, each consisting of charge of 30 <math>\pm</math>5s, followed discharge of 5 min 30s. The test temperature shall be 15~35<math>^{\circ}</math>C. <math>C_R</math> :Nominal Capacitance (<math>\mu</math> F)</p> <p><b>&lt;Criteria&gt;</b></p> <table border="1"> <thead> <tr> <th>Item</th> <th>Performance</th> </tr> </thead> <tbody> <tr> <td>Capacitance Change</td> <td>Within <math>\pm 20\%</math> of initial capacitance</td> </tr> <tr> <td><math>\tan \delta</math></td> <td>Less than or equal to 1.5 times of the value of item 4.4</td> </tr> <tr> <td>ESR</td> <td>Less than or equal to 1.5 times of the value of item 4.5</td> </tr> <tr> <td>Leakage current</td> <td>Less than or equal to the value of item 4.3</td> </tr> </tbody> </table> <p>Attention: This test simulates over voltage at abnormal situation, and not be hypothesizing that over voltage is always applied.</p>	Item	Performance	Capacitance Change	Within $\pm 20\%$ of initial capacitance	$\tan \delta$	Less than or equal to 1.5 times of the value of item 4.4	ESR	Less than or equal to 1.5 times of the value of item 4.5	Leakage current	Less than or equal to the value of item 4.3		
Item	Performance													
Capacitance Change	Within $\pm 20\%$ of initial capacitance													
$\tan \delta$	Less than or equal to 1.5 times of the value of item 4.4													
ESR	Less than or equal to 1.5 times of the value of item 4.5													
Leakage current	Less than or equal to the value of item 4.3													
4.9	Damp heat test	<p><b>&lt;Condition&gt;</b> Humidity Test: The capacitor shall be exposed for <math>1000 \pm 48</math> hours in an atmosphere of 90~95%RH at <math>60 \pm 2^{\circ}</math>C, the characteristic change shall meet the following requirement.</p> <p><b>&lt;Criteria&gt;</b></p> <table border="1"> <thead> <tr> <th>Item</th> <th>Performance</th> </tr> </thead> <tbody> <tr> <td>Capacitance Change</td> <td>Within <math>\pm 20\%</math> of initial capacitance</td> </tr> <tr> <td><math>\tan \delta</math></td> <td>Less than or equal to 1.5 times of the value of item 4.4</td> </tr> <tr> <td>ESR</td> <td>Less than or equal to 1.5 times of the value of item 4.5</td> </tr> <tr> <td>Leakage current</td> <td>Less than or equal to the value of item 4.3</td> </tr> <tr> <td>Appearance</td> <td>Notable changes shall not be found.</td> </tr> </tbody> </table>	Item	Performance	Capacitance Change	Within $\pm 20\%$ of initial capacitance	$\tan \delta$	Less than or equal to 1.5 times of the value of item 4.4	ESR	Less than or equal to 1.5 times of the value of item 4.5	Leakage current	Less than or equal to the value of item 4.3	Appearance	Notable changes shall not be found.
Item	Performance													
Capacitance Change	Within $\pm 20\%$ of initial capacitance													
$\tan \delta$	Less than or equal to 1.5 times of the value of item 4.4													
ESR	Less than or equal to 1.5 times of the value of item 4.5													
Leakage current	Less than or equal to the value of item 4.3													
Appearance	Notable changes shall not be found.													

4.10	Maximum permissible (ripple current)	<p><b>&lt;Condition&gt;</b>  The maximum permissible ripple current is the maximum A.C current At 100kHz and can be applied at maximum operating temperature see Table 3  The combined value of D.C voltage and the peak A.C voltage shall not exceed the rated voltage and shall not reverse voltage.</p> <p>Frequency Multipliers:</p> <table border="1" style="width: 100%; border-collapse: collapse; text-align: center;"> <tr> <td style="width: 25%;">Frequency</td> <td style="width: 25%;">120Hz ≤ f &lt; 1kHz</td> <td style="width: 25%;">1kHz ≤ f &lt; 10kHz</td> <td style="width: 25%;">10kHz ≤ f &lt; 100kHz</td> <td style="width: 25%;">100kHz ≤ f &lt; 500kHz</td> </tr> <tr> <td>Coefficient</td> <td>0.05</td> <td>0.30</td> <td>0.70</td> <td>1.00</td> </tr> </table>	Frequency	120Hz ≤ f < 1kHz	1kHz ≤ f < 10kHz	10kHz ≤ f < 100kHz	100kHz ≤ f < 500kHz	Coefficient	0.05	0.30	0.70	1.00
Frequency	120Hz ≤ f < 1kHz	1kHz ≤ f < 10kHz	10kHz ≤ f < 100kHz	100kHz ≤ f < 500kHz								
Coefficient	0.05	0.30	0.70	1.00								
4.11	Rapid change of temperature	<p>Applied voltage: without load  Cycle number: 5 cycles  Test diagram: Fig.1</p> <div style="text-align: center;"> </div> <p>Performance: The capacitors shall meet the following specification after 5 cycles.</p> <table border="1" style="width: 100%; border-collapse: collapse; text-align: center;"> <thead> <tr> <th style="width: 30%;">Item</th> <th>Performance</th> </tr> </thead> <tbody> <tr> <td>Capacitance change</td> <td>Within ± 10% of initial capacitance</td> </tr> <tr> <td>tan δ</td> <td>Less than or equal to value of item 4.4</td> </tr> <tr> <td>Leakage current</td> <td>Less than or equal to the value of item 4.3 (after voltage treatment)</td> </tr> </tbody> </table>	Item	Performance	Capacitance change	Within ± 10% of initial capacitance	tan δ	Less than or equal to value of item 4.4	Leakage current	Less than or equal to the value of item 4.3 (after voltage treatment)		
Item	Performance											
Capacitance change	Within ± 10% of initial capacitance											
tan δ	Less than or equal to value of item 4.4											
Leakage current	Less than or equal to the value of item 4.3 (after voltage treatment)											

4.12	Lead strength	<p>a) Lead pull strength A static load force shall be applied to the terminal in the axial direction and acting in a direction away from the body for <math>10 \pm 1</math> s.</p> <table border="1" style="margin-left: auto; margin-right: auto;"> <tr> <th style="width:60%;">Lead wire diameter (mm)</th> <th style="width:40%;">Load force (N)</th> </tr> <tr> <td style="text-align: center;"><math>0.5 &lt; d \leq 0.8</math></td> <td style="text-align: center;">10</td> </tr> </table> <p>b) Lead bending When the capacitor is placed in a vertical position and the weight specified in the table above is applied to one lead and then the capacitor is slowly rotated <math>90^0</math> to a horizontal position and then returned to a vertical position thus completing bends for 2~3seconds. The additional bends are made in the opposite direction</p> <table border="1" style="margin-left: auto; margin-right: auto;"> <tr> <th style="width:60%;">Lead wire diameter (mm)</th> <th style="width:40%;">Load force (N)</th> </tr> <tr> <td style="text-align: center;"><math>0.5 &lt; d \leq 0.8</math></td> <td style="text-align: center;">5</td> </tr> </table> <p>Performance: The characteristic shall meet the following value after a) or b) test.</p> <table border="1" style="margin-left: auto; margin-right: auto;"> <tr> <th style="width:50%;">Item</th> <th style="width:50%;">Performance</th> </tr> <tr> <td>Leakage current</td> <td>Less than or equal to the value of item4.3</td> </tr> <tr> <td>Outward Appearance</td> <td>No cutting and slack of lead terminals</td> </tr> </table>	Lead wire diameter (mm)	Load force (N)	$0.5 < d \leq 0.8$	10	Lead wire diameter (mm)	Load force (N)	$0.5 < d \leq 0.8$	5	Item	Performance	Leakage current	Less than or equal to the value of item4.3	Outward Appearance	No cutting and slack of lead terminals
Lead wire diameter (mm)	Load force (N)															
$0.5 < d \leq 0.8$	10															
Lead wire diameter (mm)	Load force (N)															
$0.5 < d \leq 0.8$	5															
Item	Performance															
Leakage current	Less than or equal to the value of item4.3															
Outward Appearance	No cutting and slack of lead terminals															
4.13	Resistance to vibration	<p>Frequency: 10 to 55 Hz (1minute interval / 10 → 55 → 10Hz) Amplitude: 0.75mm(Total excursion 1.5mm) Direction :X、 Y、 Z (3 axes) Duration: 2hours/ axial (Total 6 hours) The capacitors are supported as the following Fig2</p> <div style="text-align: center;">  </div> <p style="text-align: center;">Fig2</p> <p>Performance: Capacitance value shall not show drastic change compared to the initial capacitance when the value is measured within 30 minutes. Prior to the completion of exam, Capacitance difference shall be within <math>\pm 5\%</math> compared to the initial value the exam.</p>														

4.14	Solderability	<p>The capacitor shall be tested under the following conditions:</p> <p>Solder : Sn-3Ag-0.5Cu  Soldering temperature: 245±3°C  Immersing time : 3±0.5s  Immersing depth : 1.5~ 2.0mm from the root.  Flux : Approx .25% rosin</p> <p>Performance: At least 95% of the dipped portion of the terminal shall be covered with new solder.</p>												
4.15	Resistance to soldering heat	<p>A) Solder bath method  Lead terminals of a capacitor are placed on the heat isolation board with thickness of 1.6±0.5mm. It will dip into the flux of isopropylalcohol solution of colophony. Then it will be immersed at the surface of the solder with the following condition:  Solder : Sn-3Ag-0.5Cu  Soldering temperature : 260 ±5°C  Immersing time : 10±1s  Heat protector: t=1.6mm glass –epoxy board</p> <p>B) Soldering iron method  Bit temperature : 400 ±10°C  Application time : 3+1/-0 s  Heat protector: t=1.6mm glass –epoxy board</p> <p>For both methods, after the capacitor at thermal stability, the following items shall be measured:</p> <table border="1" style="width: 100%; border-collapse: collapse;"> <thead> <tr> <th style="width: 50%;">Item</th> <th style="width: 50%;">Performance</th> </tr> </thead> <tbody> <tr> <td>Capacitance Change</td> <td>Within ± 5% of initial capacitance</td> </tr> <tr> <td>tan δ</td> <td>Less than or equal to the value of item 4.4</td> </tr> <tr> <td>ESR</td> <td>Less than or equal to the value of item 4.5</td> </tr> <tr> <td>Leakage current</td> <td>Less than or equal to the value of item 4.3 (after voltage treatment)</td> </tr> <tr> <td>Appearance</td> <td>Notable changes shall not be found.</td> </tr> </tbody> </table>	Item	Performance	Capacitance Change	Within ± 5% of initial capacitance	tan δ	Less than or equal to the value of item 4.4	ESR	Less than or equal to the value of item 4.5	Leakage current	Less than or equal to the value of item 4.3 (after voltage treatment)	Appearance	Notable changes shall not be found.
Item	Performance													
Capacitance Change	Within ± 5% of initial capacitance													
tan δ	Less than or equal to the value of item 4.4													
ESR	Less than or equal to the value of item 4.5													
Leakage current	Less than or equal to the value of item 4.3 (after voltage treatment)													
Appearance	Notable changes shall not be found.													

## 5. Product Marking

Marking Sample:

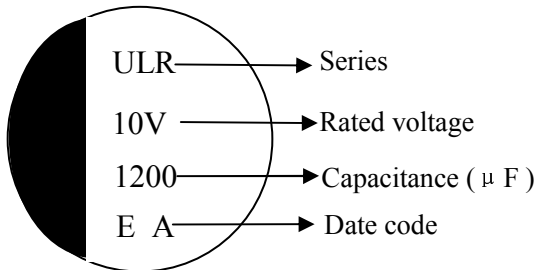


Table 1

Code	B	C	D	E
Year	2012	2013	2014	2015

E A

— Manufactured week: see Table 2

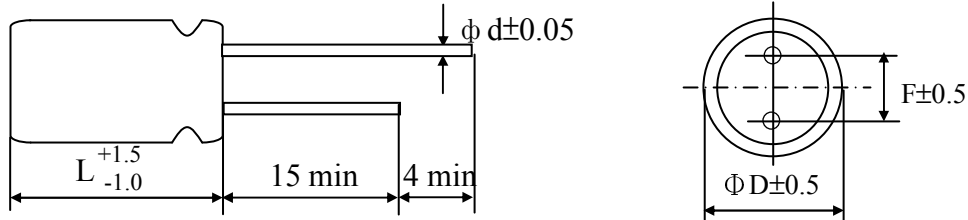
— Manufactured year: see Table 1

Table 2

Week	1	2	3	4	5	6	7	8	9	10	11
Code	A	B	C	D	E	F	G	H	I	J	K
Week	12	13	14	15	16	17	18	19	20	21	22
Code	L	M	N	O	P	Q	R	S	T	U	V
Week	23	24	25	26	27	28	29	30	31	32	33
Code	W	X	Y	Z	<u>A</u>	<u>B</u>	<u>C</u>	<u>D</u>	<u>E</u>	<u>F</u>	<u>G</u>
Week	34	35	36	37	38	39	40	41	42	43	44
Code	<u>H</u>	<u>I</u>	<u>J</u>	<u>K</u>	<u>L</u>	<u>M</u>	<u>N</u>	<u>O</u>	<u>P</u>	<u>Q</u>	<u>R</u>
Week	45	46	47	48	49	50	51	52			
Code	<u>S</u>	<u>T</u>	<u>U</u>	<u>V</u>	<u>W</u>	<u>X</u>	<u>Y</u>	<u>Z</u>			

X-CON Electronics Limited	Conductive Polymer Aluminum Solid Capacitors ULR Series	<b>X-CON</b>	

**6. Product Dimensions, Impedance & Maximum Permissible Ripple Current**  
Unit: mm



<b><math>\phi D</math></b>	10
<b>L</b>	12.5
<b>F</b>	5.0
<b><math>\phi d</math></b>	0.6

Table 3

Working Voltage (V)	Capacitance ( $\mu F$ )	Dimension (D × L, mm)	Maximum permissible ripple current at 105°C 100kHz (mA rms)	ESR at 20°C 100kHz to 300kHz (m $\Omega$ )	Leakage current ( $\mu A$ ) 2min
10	1200	10X12.5	6200	8	2400

Issued-date: 2015-01-20	Name	Specification Sheet – ULR		
Version	01		Page	13
STANDARD MANUAL				

X-CON Electronics Limited	Conductive Polymer Aluminum Solid Capacitors ULR Series	<b>X-CON</b>	

### 7.Application Guideline:

X-CON Solid Aluminum Electrolytic Capacitor should be used compliance with the following guidelines

#### 7-1 Circuit design

Prohibited Circuits for use

Do not use the capacitors with the following circuits.

- 1) Time constant circuits
- 2) Coupling circuits
- 3) Circuits which are greatly affected by leakage current
- 4) High impedance voltage retention circuits.

#### 7-2. Voltage

##### 1) Over voltage

The application of over-voltage and reverse voltage below can cause increases in leakage current and short circuits.

Applied voltage, refers to the voltage value including the peak value of the transitional instantaneous voltage and the peak Value of ripple voltage, not just steady line voltage. Design your circuit so that the peak voltage does not exceed the stipulated voltage.

Over voltage exceeding the rated voltage may not be applied even for an instant as it may cause a short circuit.

##### 2) Applied voltage

- ① Sum of the DC voltage value and the ripple voltage peak values must not exceed the rated voltage.
- ② When DC voltage is low, negative ripple voltage peak value must not become a reverse voltage that exceeds 10% of The rated voltage.
- ③ Use the X-CON within 20%of the rated voltage for applications which may cause the reverse voltage during the Transient phenomena when the power is tumid off or the source is switched.

#### 7-3 Sudden charge and discharge restricted

Sudden charge and discharge may result in short circuit's large leakage current. Therefore, a protection circuits are recommended to design in when on of the following condition is expected.

- 1) The rush current exceeds 10A
- 2) The rush current exceeds 10 times of allowable ripple current of X-CON.

A protection resistor (1K  $\Omega$ ) must be inserted to the circuit during the charge and discharge when measuring the leakage Current.

#### 7-4 Ripple current

Use the capacitors within the stipulated permitted ripple current. When excessive ripple current is applied to the capacitor,

It causes increases in leakage current and short circuits due to self- heating. Even when using the capacitor under the Permissible ripple current, reverse voltage may occur if the DC bias voltage is low.

#### 7-5 Leakage current

There is a risk of leakage current characteristics increasing even if the following use environments are within the stipulated range However, even if leakage current increases once, it has the characteristic that leakage current becomes small in most cases after voltage is applied due to its self-correction mechanism.

#### 7-6 Failure rate

The main failure mode of X-CON is open mode primarily caused by electrostatic capacity drop at high temperature ( i.e.wear out failure), besides random short circuit mode failures primarily caused by over voltage occurs as minor one.

The time it takes to reach the failures mode can be extended by using the X-CON with reduced ambient temperature, ripple current and applied voltage.

#### 7-7 Capacitor insulation

1) Insulation in the marking sleeve is not guaranteed. Be aware that the space between the case and the negative electrode Terminal is not insulated and has some resistance.

2) Be sure to completely separate the case, negative lead terminal, and positive lead terminal and PCB patterns with each other.

Issued-date: 2015-01-20	Name	Specification Sheet – ULR	
Version	01	Page	14
STANDARD MANUAL			

X-CON Electronics Limited	Conductive Polymer Aluminum Solid Capacitors ULR Series	<b>X-CON</b>	

### 7-8 Precautions for using capacitors

X-CON capacitors should not be used in the following environments.

- 1) Environments where the capacitor is subject to direct contact with salt water or oil can directly fall on it.
- 2) Environments where capacitors are exposed to direct sunlight.
- 3) High temperature (Avoid locating heat generating components around the X-CON and on the underside of the PCB), or humid environments where condensation can form on the surface of the capacitor.
- 4) Environments where the capacitor is in contact with chemically active gases.
- 5) Acid or alkaline environments.
- 6) Environment subject to high-frequency induction.
- 7) Environment subject to excessive vibration and shock.

### 8. Long Term Storage

Store the X-CONs in sealed package bags after delivery per the table below;

X-CON Type	Before unsealing
Radial lead type packed in bags	Must be used within 24~36 months after delivery(unsealed status)
Radial lead type packed in taping method	Must be used within 24~36 months after delivery(unsealed status)

### 9. Mounting Precautions

Mounting phase	Things to note before mounting	Disposal
Before mounting	1) Used X-CON capacitors	Not reused
	2) LC-increased X-CON capacitors after long storage	Apply them with rated voltage in series with 1K $\Omega$ resistance for 1 hour at the range between 60 and 70°C
	3) X-CON capacitors dropped to the floor	Not reused
	4) Precautions on polar, capacitance and rated voltage	Products without remarkable polar, capacitance and rated voltage shouldn't be available
	5) Precautions on the pitch between lead terminal and PCB	The products can be used only when said pitch is matched
	6) Precautions on the stress that lead terminal and body of X-CON capacitors enduring in mounting	The products can be used for production only when lead terminal and body are not subject stress.
Mounting	1) Soldering with a soldering iron	Both temperature and duration in mounting should meet the requirements of out-going SPEC; no stress should be allowed to occur in mounting; Don't let the tip of the soldering iron touch the X-CON itself.
	2) Flow soldering	X-CON capacitor body should be prohibited to submerge in melted solder; both temperature and duration in mounting should meet the requirements of out-going SPEC; The rosin is not allowed to adhere to any where other than lead terminal.
After mounting	1) Precautions on mounting status	Do not tilt, bend twists X-CON; Do not allow other matter touch X-CON.
	2) Washing the PCB (available cleaning agent 1)high quality alcohol-based cleaning fluid such as st-100s、750L,750M;2) Detergents including substitute freon such as AK-225AES and IPA)	Used immersion or ultrasonic waves to clean for a total of less than 5 minutes and the temperature be less than 60°C; The conductivity, PH, specific gravity and water cleaning, X-CON products should be dried with hot air (less than the maximum operating temperature).

Issued-date: 2015-01-20	Name	Specification Sheet – ULR		
Version	01	Page	15	
STANDARD MANUAL				



**10. It refers to the latest document of “Environment-related Substances standard”(WI-HSPM-QA-072).**

Substances	
Heavy metals	Cadmium and cadmium compounds
	Lead and lead compounds
	Mercury and mercury compounds
	Hexavalent chromium compounds
Chlorinated organic compounds	Polychlorinated biphenyls (PCB)
	Polychlorinated naphthalenes (PCN)
	Polychlorinated terphenyls (PCT)
	Short-chain chlorinated paraffins(SCCP)
	Other chlorinated organic compounds
Brominated organic compounds	Polybrominated biphenyls (PBB)
	Polybrominated diphenylethers(PBDE) (including decabromodiphenyl ether[DecaBDE])
	Other brominated organic compounds
Tributyltin compounds(TBT)	
Triphenyltin compounds(TPT)	
Asbestos	
Specific azo compounds	
Formaldehyde	
Beryllium oxide	
Beryllium copper	
Specific phthalates (DEHP,DBP,BBP,DINP,DIDP,DNOP,DNHP)	
Hydrofluorocarbon (HFC), Perfluorocarbon (PFC)	
Perfluorooctane sulfonates (PFOS)	
Specific Benzotriazole	