

Industrial accelerometer

793-10

SPECIFICATIONS

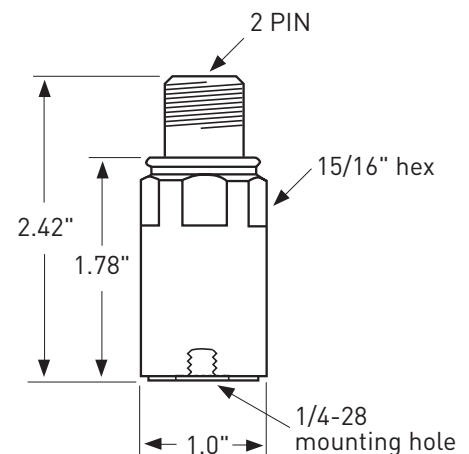
Sensitivity, $\pm 5\%$, 25°C		10 mV/g
Acceleration range		500 g peak
Amplitude nonlinearity		1%
Frequency response:	$\pm 5\%$	3 - 5,000 Hz
	$\pm 10\%$	2 - 7,000 Hz
	± 3 dB	1 - 15,000 Hz
Resonance frequency, mounted, nominal		25 kHz
Transverse sensitivity, max		5% of axial
Temperature response:	-50°C	-10%
	+120°C	+5%
Power requirement:		
Voltage source		18 - 30 VDC
Current regulating diode		2 - 10 mA
Electrical noise, equiv. g, nominal:		
Broadband	2.5 Hz to 25 kHz	4,500 μ g
Spectral	10 Hz	50 μ g/ \sqrt Hz
	100 Hz	40 μ g/ \sqrt Hz
	1,000 Hz	20 μ g/ \sqrt Hz
Output impedance, max		100 Ω
Bias output voltage, nominal		12 VDC
Grounding		case isolated, internally shielded
Temperature range		-50° to +120°C
Vibration limit		500 g peak
Shock limit		5,000 g peak
Electromagnetic sensitivity, equiv. g		15 μ g/gauss
Humidity limit		100% relative
Base strain sensitivity		0.001 g/ μ strain
Weight		110 grams
Case material		stainless steel
Mounting		1/4-28 tapped hole
Output connector		2 pin, MIL-C-5015 style
Mating connector		R6
Recommended cabling		J10 / J9T2A

Accessories supplied: SF6 mounting stud; calibration data; CCD card



Key features

- High amplitude range
- Optional intrinsic safety certification (model 793-10-35)
- Manufactured in ISO 9001 facility



Connections	
Function	Connector pin
power/signal	A
common	B



Note: Due to continuous process improvement, specifications are subject to change without notice. This document is cleared for public release.