

MODEL NUMBER
CGA-1040-XX-SMA-02

NOTES:

1. MATERIAL & FINISH:

1.1 HOUSING & COUPLING NUT: PASSIVATED STAINLESS STEEL

1.2 CENTER CONTACTS:

1.2.1 MALE: GOLD PLATED BRASS

1.2.2 FEMALE: GOLD PLATED BERYLLIUM COPPER

1.3 MARKING: 1040 YYdB

(YY VALUES DEFINED IN TABLE)

| DASH | dB |
|------|----|
| XX | YY |
| 01 | 1 |
| 02 | 2 |
| 03 | 3 |
| 06 | 6 |
| 10 | 10 |
| 20 | 20 |

2. SPECIFICATIONS:

2.1 FREQUENCY RANGE: DC TO 4 GHz

2.2 IMPEDANCE: 50 OHMS NOMINAL

2.3 ATTENUATION NOMINAL VALUES (SEE TABLE)

2.4 ATTENUATION ACCURACY:

2.4.1 1 AND 2 dB: ±0.35 dB

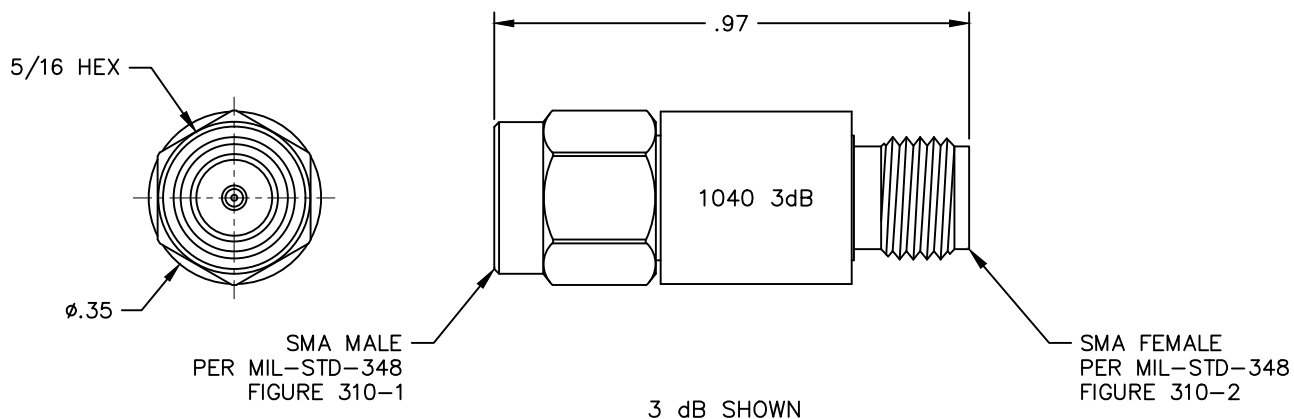
2.4.2 3 AND 6 dB: ±0.40 dB

2.4.3 10 AND 20 dB: ±0.50 dB

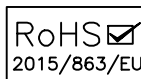
2.5 VSWR (MAX): 1.18:1

2.6 INPUT POWER (MAX): 2 WATTS (CW) AT +25°C

2.7 OPERATING TEMP. RANGE: -65°C TO +85°C




| REV. | DESCRIPTION | DATE |
|------|-------------|---------|
| 001 | ECO 26066 | 5/22/19 |



NOTICE: The information contained in this drawing is proprietary and must not be used without the permission of Cinch Connectivity Solutions.

UNLESS OTHERWISE NOTED DIMENSIONS ARE IN INCHES AND TOLERANCES ARE:
 3 PLACE DECIMALS ±.005
 2 PLACE DECIMALS ±.02
 FRACTIONS ±1/64
 PARALLELITY: T.I.R. _____
 FLATNESS: T.I.R. _____
 CONCENTRICITY: T.I.R. _____
 ANGLES AND PERPENDICULARITY: ±2'

| | | | |
|---|---------------------------------------|---|--------------|
| CAGE CODE 34078 | | MIDWEST MICROWAVE | |
|  | | TITLE SMA ATTENUATOR, 1-20 dB 2 WATTS, DC-4 GHz | |
| DRAWN/DATE J. KEREKES 5/22/19 | ENG./DATE J. KEREKES 5/22/19 | DRAWING NUMBER CGA-1040-XX-SMA-02-01 | REV. 001 |
| CHECKED/DATE | APPROVED/DATE M. DVORAK 5/22/19 | SCALE: 4:1 | SHEET 1 of 1 |