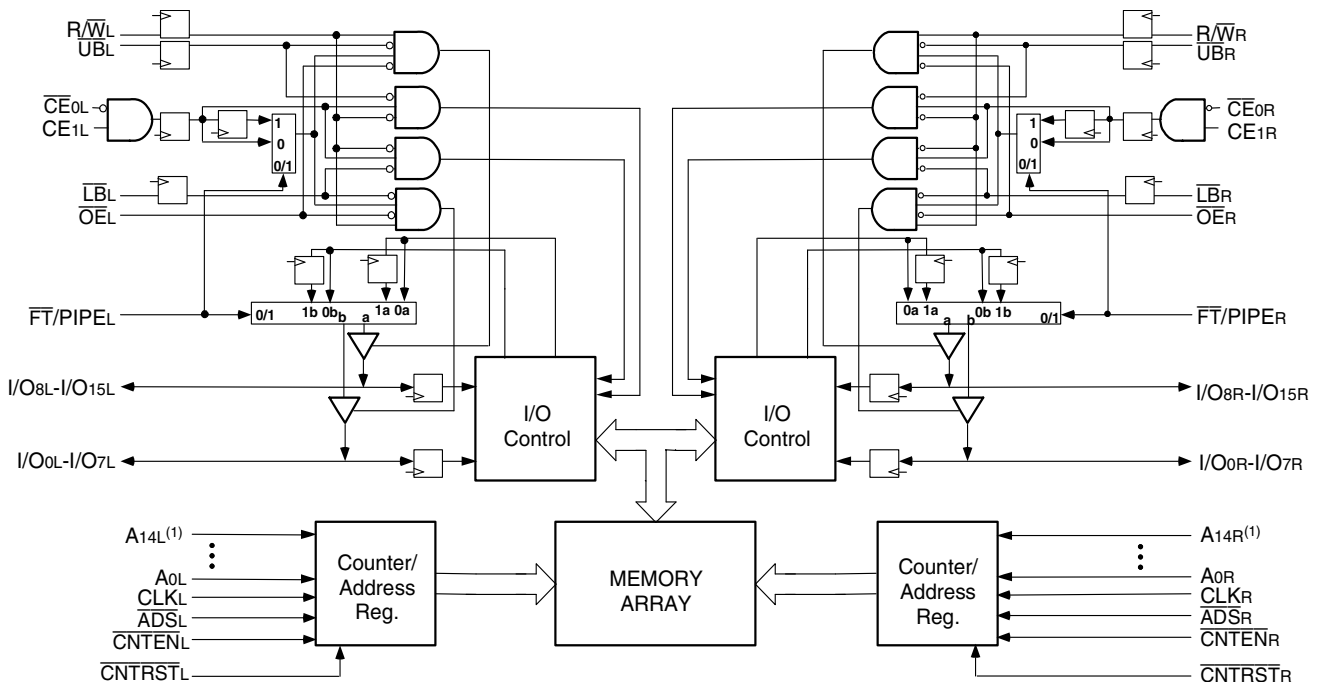


**Features:**

- ◆ True Dual-Ported memory cells which allow simultaneous access of the same memory location
- ◆ High-speed clock to data access
  - Commercial: 7.5/9ns (max.)
  - Industrial: 7.5ns (max.)
- ◆ Low-power operation
  - IDT70V9279/69L
  - Active: 429mW (typ.)
  - Standby: 1.32mW (typ.)
- ◆ Flow-through or Pipelined output mode on either port via the FT/PIPE pin
- ◆ Counter enable and reset features
- ◆ Dual chip enables allow for depth expansion without additional logic
- ◆ Full synchronous operation on both ports
  - 4ns setup to clock and 1ns hold on all control, data, and address inputs
  - Data input, address, and control registers
  - Fast 6.5ns clock to data out in the Pipelined output mode
  - Self-timed write allows fast cycle time
  - 10ns cycle time, 100MHz operation in Pipelined output mode
- ◆ Separate upper-byte and lower-byte controls for multiplexed bus and bus matching compatibility
- ◆ LVTTTL-compatible, single 3.3V (±0.3V) power supply
- ◆ Industrial temperature range (-40°C to +85°C) is available for selected speeds
- ◆ Available in a 128-pin Thin Quad Flatpack (TQFP) package
- ◆ Green parts available, see ordering information

**Functional Block Diagram**



3743 drw 01

**NOTE:**

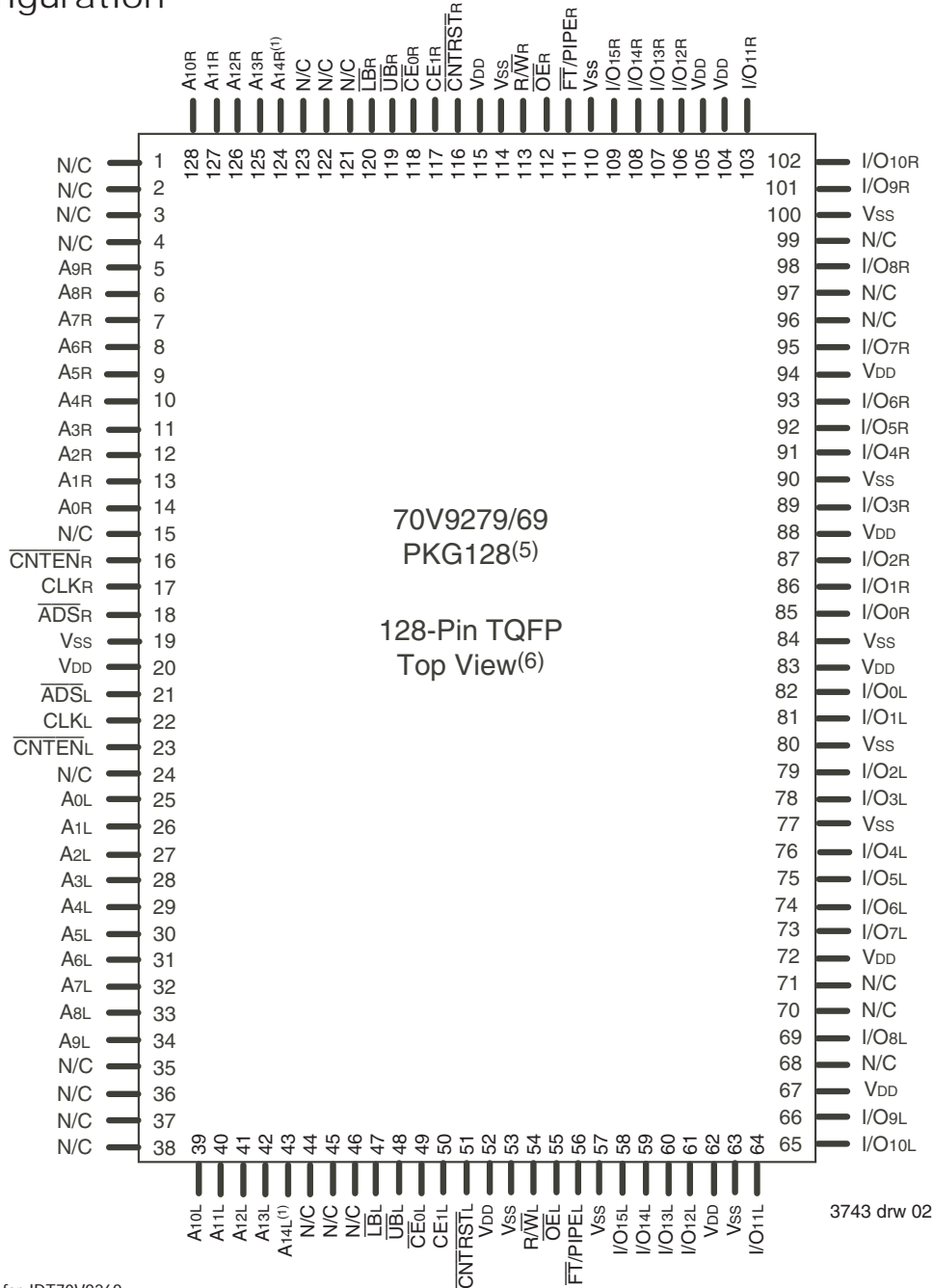
1. A14x is a NC for IDT70V9269.

Description:

The IDT70V9279/69 is a high-speed 32/16K x 16 bit synchronous Dual-Port RAM. The memory array utilizes Dual-Port memory cells to allow simultaneous access of any address from both ports. Registers on control, data, and address inputs provide minimal setup and hold times. The timing latitude provided by this approach allows systems to be designed with very short cycle times.

With an input data register, the IDT70V9279/69 has been optimized for applications having unidirectional or bidirectional data flow in bursts. An automatic power down feature, controlled by  $\overline{CE0}$  and  $CE1$ , permits the on-chip circuitry of each port to enter a very low standby power mode. Fabricated using CMOS high-performance technology, these devices typically operate on only 429mW of power.

Pin Configuration<sup>(2,3,4)</sup>



NOTES:

1. A14x is a NC for IDT70V9269.
2. All VDD pins must be connected to power supply.
3. All VSS pins must be connected to ground.
4. Package body is approximately 14mm x 20mm x 1.4mm.
5. This package code is used to reference the package diagram.
6. This text does not indicate orientation of the actual part-marking.

Pin Names

| Left Port               | Right Port              | Names                            |
|-------------------------|-------------------------|----------------------------------|
| $\overline{CE}0L, CE1L$ | $\overline{CE}0R, CE1R$ | Chip Enables <sup>(3)</sup>      |
| $R/\overline{W}L$       | $R/\overline{W}R$       | Read/Write Enable                |
| $\overline{OE}L$        | $\overline{OE}R$        | Output Enable                    |
| $A0L - A14L^{(1)}$      | $A0R - A14R^{(1)}$      | Address                          |
| $I/O0L - I/O15L$        | $I/O0R - I/O15R$        | Data Input/Output                |
| $CLKL$                  | $CLKR$                  | Clock                            |
| $\overline{UB}L$        | $\overline{UB}R$        | Upper Byte Select <sup>(2)</sup> |
| $\overline{LB}L$        | $\overline{LB}R$        | Lower Byte Select <sup>(2)</sup> |
| $\overline{ADS}L$       | $\overline{ADS}R$       | Address Strobe Enable            |
| $\overline{CNTEN}L$     | $\overline{CNTEN}R$     | Counter Enable                   |
| $\overline{CNTRST}L$    | $\overline{CNTRST}R$    | Counter Reset                    |
| $\overline{FT}/PIPEL$   | $\overline{FT}/PIPER$   | Flow-Through / Pipeline          |
| $V_{DD}$                |                         | Power (3.3V)                     |
| $V_{SS}$                |                         | Ground (0V)                      |

3743 tbl 01

NOTES:

1. Address  $A_{14x}$  is a NC for IDT70V9269.
2.  $\overline{LB}$  and  $\overline{UB}$  are single buffered regardless of state of  $\overline{FT}/PIPE$ .
3.  $\overline{CE}0$  and  $CE1$  are single buffered when  $\overline{FT}/PIPE = V_{IL}$ ,  $\overline{CE}0$  and  $CE1$  are double buffered when  $\overline{FT}/PIPE = V_{IH}$ , i.e. the signals take two cycles to deselect.

Truth Table I—Read/Write and Enable Control<sup>(1,2,3)</sup>

| $\overline{OE}$ | CLK | $\overline{CE}0^{(5)}$ | $CE1^{(5)}$ | $\overline{UB}^{(4)}$ | $\overline{LB}^{(4)}$ | $R/\overline{W}$ | Upper Byte I/O <sub>8-15</sub> | Lower Byte I/O <sub>0-7</sub> | MODE                     |
|-----------------|-----|------------------------|-------------|-----------------------|-----------------------|------------------|--------------------------------|-------------------------------|--------------------------|
| X               | ↑   | H                      | X           | X                     | X                     | X                | High-Z                         | High-Z                        | Deselected—Power Down    |
| X               | ↑   | X                      | L           | X                     | X                     | X                | High-Z                         | High-Z                        | Deselected—Power Down    |
| X               | ↑   | L                      | H           | H                     | H                     | X                | High-Z                         | High-Z                        | Both Bytes Deselected    |
| X               | ↑   | L                      | H           | L                     | H                     | L                | DIN                            | High-Z                        | Write to Upper Byte Only |
| X               | ↑   | L                      | H           | H                     | L                     | L                | High-Z                         | DATA <sub>IN</sub>            | Write to Lower Byte Only |
| X               | ↑   | L                      | H           | L                     | L                     | L                | DATA <sub>IN</sub>             | DATA <sub>IN</sub>            | Write to Both Bytes      |
| L               | ↑   | L                      | H           | L                     | H                     | H                | DATA <sub>OUT</sub>            | High-Z                        | Read Upper Byte Only     |
| L               | ↑   | L                      | H           | H                     | L                     | H                | High-Z                         | DATA <sub>OUT</sub>           | Read Lower Byte Only     |
| L               | ↑   | L                      | H           | L                     | L                     | H                | DATA <sub>OUT</sub>            | DATA <sub>OUT</sub>           | Read Both Bytes          |
| H               | ↑   | L                      | H           | L                     | L                     | X                | High-Z                         | High-Z                        | Outputs Disabled         |

3743 tbl 02

NOTES:

1. "H" =  $V_{IH}$ , "L" =  $V_{IL}$ , "X" = Don't Care.
2.  $\overline{ADS}$ ,  $\overline{CNTEN}$ ,  $\overline{CNTRST}$  = X.
3.  $\overline{OE}$  is an asynchronous input signal.
4.  $\overline{LB}$  and  $\overline{UB}$  are single buffered regardless of state of  $\overline{FT}/PIPE$ .
5.  $\overline{CE}0$  and  $CE1$  are single buffered when  $\overline{FT}/PIPE = V_{IL}$ .  $\overline{CE}0$  and  $CE1$  are double buffered when  $\overline{FT}/PIPE = V_{IH}$ , i.e. the signals take two cycles to deselect.

Truth Table II—Address Counter Control<sup>(1,2,3)</sup>

| External Address | Previous Internal Address | Internal Address Used | CLK | $\overline{ADS}$ | $\overline{CNTEN}$ | $\overline{CNRST}$ | I/O <sup>(3)</sup>    | MODE  |
|------------------|---------------------------|-----------------------|-----|------------------|--------------------|--------------------|-----------------------|---|
| An               | X                         | An                    | ↑   | L <sup>(4)</sup> | X                  | H                  | D <sub>IO</sub> (n)   | External Address Used                                     |
| X                | An                        | An + 1                | ↑   | H                | L <sup>(5)</sup>   | H                  | D <sub>IO</sub> (n+1) | Counter Enabled—Internal Address generation               |
| X                | An + 1                    | An + 1                | ↑   | H                | H                  | H                  | D <sub>IO</sub> (n+1) | External Address Blocked—Counter disabled (An + 1 reused) |
| X                | X                         | A0                    | ↑   | X                | X                  | L <sup>(4)</sup>   | D <sub>IO</sub> (0)   | Counter Reset to Address 0                                |

NOTES:

- "H" = V<sub>IH</sub>, "L" = V<sub>IL</sub>, "X" = Don't Care.
- $\overline{CE0}$ ,  $\overline{LB}$ ,  $\overline{UB}$ , and  $\overline{OE}$  = V<sub>IL</sub>; CE<sub>1</sub> and  $\overline{RW}$  = V<sub>IH</sub>.
- Outputs configured in Flow-Through Output mode; if outputs are in Pipelined mode the data out will be delayed by one cycle.
- $\overline{ADS}$  and  $\overline{CNRST}$  are independent of all other signals including  $\overline{CE0}$ , CE<sub>1</sub>,  $\overline{UB}$  and  $\overline{LB}$ .
- The address counter advances if  $\overline{CNTEN}$  = V<sub>IL</sub> on the rising edge of CLK, regardless of all other signals including  $\overline{CE0}$ , CE<sub>1</sub>,  $\overline{UB}$  and  $\overline{LB}$ .

3743 tbl 03

Recommended Operating Temperature and Supply Voltage<sup>(1,2)</sup>

| Grade      | Ambient Temperature | GND | V <sub>DD</sub> |
|------------|---------------------|-----|-----------------|
| Commercial | 0°C to +70°C        | 0V  | 3.3V $\pm$ 0.3V |
| Industrial | -40°C to +85°C      | 0V  | 3.3V $\pm$ 0.3V |

NOTES:

- Industrial temperature: for specific speeds, packages and powers contact your sales office.
- This is the parameter T<sub>A</sub>. This is the "instant on" case temperature.

3743 tbl 04

Recommended DC Operating Conditions

| Symbol          | Parameter          | Min.                | Typ. | Max.                                 | Unit |
|-----------------|--------------------|---------------------|------|--------------------------------------|------|
| V <sub>DD</sub> | Supply Voltage     | 3.0                 | 3.3  | 3.6                                  | V    |
| V <sub>SS</sub> | Ground             | 0                   | 0    | 0                                    | V    |
| V <sub>IH</sub> | Input High Voltage | 2.2                 | —    | V <sub>DD</sub> +0.3V <sup>(2)</sup> | V    |
| V <sub>IL</sub> | Input Low Voltage  | -0.3 <sup>(1)</sup> | —    | 0.8                                  | V    |

NOTES:

- V<sub>IL</sub> ≥ -1.5V for pulse width less than 10 ns.
- V<sub>TERM</sub> must not exceed V<sub>DD</sub> + 0.3V.

3743 tbl 05

Absolute Maximum Ratings<sup>(1)</sup>

| Symbol                           | Rating                               | Commercial & Industrial | Unit |
|----------------------------------|--------------------------------------|-------------------------|------|
| V <sub>TERM</sub> <sup>(2)</sup> | Terminal Voltage with Respect to GND | -0.5 to +4.6            | V    |
| T <sub>BIAS</sub> <sup>(3)</sup> | Temperature Under Bias               | -55 to +125             | °C   |
| T <sub>STG</sub>                 | Storage Temperature                  | -65 to +150             | °C   |
| T <sub>JN</sub>                  | Junction Temperature                 | +150                    | °C   |
| I <sub>OUT</sub>                 | DC Output Current                    | 50                      | mA   |

NOTES:

- Stresses greater than those listed under ABSOLUTE MAXIMUM RATINGS may cause permanent damage to the device. This is a stress rating only and functional operation of the device at these or any other conditions above those indicated in the operational sections of this specification is not implied. Exposure to absolute maximum rating conditions for extended periods may affect reliability.
- V<sub>TERM</sub> must not exceed V<sub>DD</sub> + 0.3V for more than 25% of the cycle time or 10ns maximum, and is limited to ≤ 20mA for the period of V<sub>TERM</sub> ≥ V<sub>DD</sub> + 0.3V.
- Ambient Temperature Under DC Bias. No AC Conditions. Chip Deselected.

3743 tbl 06

Capacitance<sup>(1)</sup>

(T<sub>A</sub> = +25°C, f = 1.0MHz)

| Symbol                          | Parameter          | Conditions            | Max. | Unit |
|---------------------------------|--------------------|-----------------------|------|------|
| C <sub>IN</sub>                 | Input Capacitance  | V <sub>IN</sub> = 0V  | 9    | pF   |
| C <sub>OUT</sub> <sup>(2)</sup> | Output Capacitance | V <sub>OUT</sub> = 0V | 10   | pF   |

NOTES:

- These parameters are determined by device characterization, but are not production tested.
- C<sub>OUT</sub> also references C<sub>IO</sub>.

3743 tbl 07

DC Electrical Characteristics Over the Operating Temperature and Supply Voltage Range ( $V_{DD} = 3.3V \pm 0.3V$ )

| Symbol     | Parameter                            | Test Conditions   | 70V9279/69S |      | 70V9279/69L |      | Unit    |
|------------|--------------------------------------|---|-------------|------|-------------|------|---------|
|            |                                      |   | Min.        | Max. | Min.        | Max. |         |
| $ I_{LI} $ | Input Leakage Current <sup>(1)</sup> | $V_{DD} = 3.6V, V_{IN} = 0V \text{ to } V_{DD}$                                     | —           | 10   | —           | 5    | $\mu A$ |
| $ I_{LO} $ | Output Leakage Current               | $\overline{CE0} = V_{IH} \text{ or } CE1 = V_{IL}, V_{OUT} = 0V \text{ to } V_{DD}$ | —           | 10   | —           | 5    | $\mu A$ |
| $V_{OL}$   | Output Low Voltage                   | $I_{OL} = +4mA$   | —           | 0.4  | —           | 0.4  | V       |
| $V_{OH}$   | Output High Voltage                  | $I_{OH} = -4mA$   | 2.4         | —    | 2.4         | —    | V       |

NOTE:

1. At  $V_{DD} \leq 2.0V$  input leakages are undefined.

3743 tbl 08

DC Electrical Characteristics Over the Operating Temperature Supply Voltage Range<sup>(3,6)</sup> ( $V_{DD} = 3.3V \pm 0.3V$ )

| Symbol | Parameter   | Test Condition   | Version | 70V9279/69X6 Com'1 Only |      | 70V9279/69X7 Com'1 & Ind |      | 70V9279/69X9 Com'1 Only |      | Unit |    |
|--------|---|--|---------|-------------------------|------|--------------------------|------|-------------------------|------|------|----|
|        |   |  |         | Typ. <sup>(4)</sup>     | Max. | Typ. <sup>(4)</sup>      | Max. | Typ. <sup>(4)</sup>     | Max. |      |    |
| IDD    | Dynamic Operating Current (Both Ports Active)         | $\overline{CE}L \text{ and } \overline{CE}R = V_{IL}, \text{ Outputs Disabled, } f = f_{MAX}^{(1)}$  | COM'L   | S                       | 220  | 395                      | 200  | 335                     | 180  | 260  | mA |
|        |   |  |         | L                       | 220  | 350                      | 200  | 290                     | 180  | 225  |    |
| ISB1   | Standby Current (Both Ports - TTL Level Inputs)       | $\overline{CE}L = \overline{CE}R = V_{IH}$<br>$f = f_{MAX}^{(1)}$  | COM'L   | S                       | 70   | 145                      | 60   | 115                     | 50   | 75   | mA |
|        |   |  |         | L                       | 70   | 130                      | 60   | 100                     | 50   | 65   |    |
| ISB2   | Standby Current (One Port - TTL Level Inputs)         | $\overline{CE}^*A = V_{IL} \text{ and } \overline{CE}^*B = V_{IH}^{(5)}$<br>Active Port Outputs Disabled,<br>$f = f_{MAX}^{(1)}$   | COM'L   | S                       | 150  | 280                      | 130  | 240                     | 110  | 170  | mA |
|        |   |  |         | L                       | 150  | 250                      | 130  | 210                     | 110  | 150  |    |
| ISB3   | Full Standby Current (Both Ports - CMOS Level Inputs) | Both Ports $\overline{CE}L$ and $\overline{CE}R \geq V_{DD} - 0.2V,$<br>$V_{IN} \geq V_{DD} - 0.2V$ or<br>$V_{IN} \leq 0.2V, f = 0^{(2)}$  | COM'L   | S                       | 1.0  | 5                        | 1.0  | 5                       | 1.0  | 5    | mA |
|        |   |  |         | L                       | 0.4  | 3                        | 0.4  | 3                       | 0.4  | 3    |    |
| ISB4   | Full Standby Current (One Port - CMOS Level Inputs)   | $\overline{CE}^*A \leq 0.2V$ and<br>$\overline{CE}^*B \geq V_{DD} - 0.2V^{(5)}$<br>$V_{IN} \geq V_{DD} - 0.2V$ or<br>$V_{IN} \leq 0.2V, \text{ Active Port,}$<br>Outputs Disabled, $f = f_{MAX}^{(1)}$ | COM'L   | S                       | 140  | 270                      | 120  | 230                     | 100  | 160  | mA |
|        |   |  |         | L                       | 140  | 240                      | 120  | 200                     | 100  | 140  |    |
|        |   |  | IND     | S                       | —    | —                        | 130  | 265                     | —    | —    |    |
|        |   |  |         | L                       | —    | —                        | 130  | 240                     | —    | —    |    |

NOTES:

- At  $f = f_{MAX}$ , address and control lines (except Output Enable) are cycling at the maximum frequency clock cycle of  $1/t_{cvc}$ , using "AC TEST CONDITIONS" at input levels of  $V_{SS}$  to  $3V$ .
- $f = 0$  means no address, clock, or control lines change. Applies only to input at CMOS level standby.
- Port "A" may be either left or right port. Port "B" is the opposite from port "A".
- $V_{DD} = 3.3V, T_A = 25^\circ C$  for Typ, and are not production tested.  $I_{DD} DC(f=0) = 90mA$  (Typ).
- $\overline{CE}X = V_{IL}$  means  $\overline{CE}0X = V_{IL}$  and  $CE1X = V_{IH}$   
 $\overline{CE}X = V_{IH}$  means  $\overline{CE}0X = V_{IH}$  or  $CE1X = V_{IL}$   
 $\overline{CE}X \leq 0.2V$  means  $\overline{CE}0X \leq 0.2V$  and  $CE1X \geq V_{DD} - 0.2V$   
 $\overline{CE}X \geq V_{DD} - 0.2V$  means  $\overline{CE}0X \geq V_{DD} - 0.2V$  or  $CE1X \leq 0.2V$   
 'X' represents "L" for left port or "R" for right port.
- 'X' in part numbers indicate power rating (S or L).

3743 tbl 09a

DC Electrical Characteristics Over the Operating Temperature Supply Voltage Range<sup>(3,6)</sup> ( $V_{DD} = 3.3V \pm 0.3V$ )(Cont'd)

| Symbol | Parameter   | Test Condition   | Version | 70V9279/69X12 Com'l Only |      | 70V9279/69X15 Com'l Only |      | Unit |    |
|--------|---|--|---------|--------------------------|------|--------------------------|------|------|----|
|        |   |  |         | Typ. <sup>(4)</sup>      | Max. | Typ. <sup>(4)</sup>      | Max. |      |    |
| IDD    | Dynamic Operating Current (Both Ports Active)         | $\overline{CE}_L$ and $\overline{CE}_R = V_{IL}$ , Outputs Disabled, $f = f_{MAX}^{(1)}$   | COM'L   | S                        | 150  | 240                      | 130  | 220  | mA |
|        |   |  |         | L                        | 150  | 205                      | 130  | 185  |    |
|        |   |  | IND     | S                        | —    | —                        | —    | —    |    |
|        |   |  |         | L                        | —    | —                        | —    | —    |    |
| ISB1   | Standby Current (Both Ports - TTL Level Inputs)       | $\overline{CE}_L = \overline{CE}_R = V_{IH}$<br>$f = f_{MAX}^{(1)}$  | COM'L   | S                        | 40   | 65                       | 30   | 55   | mA |
|        |   |  |         | L                        | 40   | 50                       | 30   | 35   |    |
|        |   |  | IND     | S                        | —    | —                        | —    | —    |    |
|        |   |  |         | L                        | —    | —                        | —    | —    |    |
| ISB2   | Standby Current (One Port - TTL Level Inputs)         | $\overline{CE}^*A^* = V_{IL}$ and $\overline{CE}^*B^* = V_{IH}^{(5)}$<br>Active Port Outputs Disabled, $f=f_{MAX}^{(1)}$   | COM'L   | S                        | 100  | 160                      | 90   | 150  | mA |
|        |   |  |         | L                        | 100  | 140                      | 90   | 130  |    |
|        |   |  | IND     | S                        | —    | —                        | —    | —    |    |
|        |   |  |         | L                        | —    | —                        | —    | —    |    |
| ISB3   | Full Standby Current (Both Ports - CMOS Level Inputs) | Both Ports $\overline{CE}_L$ and $\overline{CE}_R \geq V_{DD} - 0.2V$ , $V_{IN} \geq V_{DD} - 0.2V$ or $V_{IN} \leq 0.2V$ , $f = 0^{(2)}$  | COM'L   | S                        | 1.0  | 5                        | 1.0  | 5    | mA |
|        |   |  |         | L                        | 0.4  | 3                        | 0.4  | 3    |    |
|        |   |  | IND     | S                        | —    | —                        | —    | —    |    |
|        |   |  |         | L                        | —    | —                        | —    | —    |    |
| ISB4   | Full Standby Current (One Port - CMOS Level Inputs)   | $\overline{CE}^*A^* \leq 0.2V$ and $\overline{CE}^*B^* \geq V_{DD} - 0.2V^{(6)}$<br>$V_{IN} \geq V_{DD} - 0.2V$ or $V_{IN} \leq 0.2V$ , Active Port, Outputs Disabled, $f = f_{MAX}^{(1)}$ | COM'L   | S                        | 90   | 150                      | 80   | 140  | mA |
|        |   |  |         | L                        | 90   | 130                      | 80   | 120  |    |
|        |   |  | IND     | S                        | —    | —                        | —    | —    |    |
|        |   |  |         | L                        | —    | —                        | —    | —    |    |

3743 tbl 09b

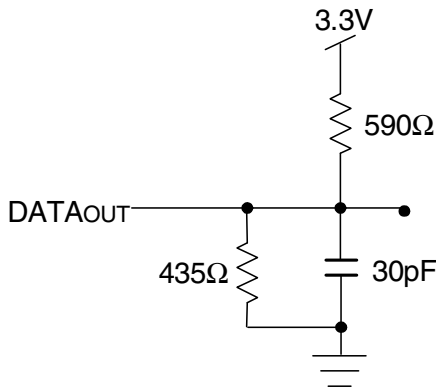
NOTES:

- At  $f = f_{MAX}$ , address and control lines (except Output Enable) are cycling at the maximum frequency clock cycle of  $1/t_{cvc}$ , using "AC TEST CONDITIONS" at input levels of  $V_{SS}$  to  $3V$ .
- $f = 0$  means no address, clock, or control lines change. Applies only to input at CMOS level standby.
- Port "A" may be either left or right port. Port "B" is the opposite from port "A".
- $V_{DD} = 3.3V$ ,  $T_A = 25^\circ C$  for Typ, and are not production tested.  $I_{DD} dc(f=0) = 90mA$  (Typ).
- $\overline{CE}_X = V_{IL}$  means  $\overline{CE}_{0X} = V_{IL}$  and  $CE_{1X} = V_{IH}$   
 $\overline{CE}_X = V_{IH}$  means  $\overline{CE}_{0X} = V_{IH}$  or  $CE_{1X} = V_{IL}$   
 $\overline{CE}_X \leq 0.2V$  means  $\overline{CE}_{0X} \leq 0.2V$  and  $CE_{1X} \geq V_{DD} - 0.2V$   
 $\overline{CE}_X \geq V_{DD} - 0.2V$  means  $\overline{CE}_{0X} \geq V_{DD} - 0.2V$  or  $CE_{1X} \leq 0.2V$   
 'X' represents "L" for left port or "R" for right port.
- 'X' in part numbers indicate power rating (S or L).

AC Test Conditions

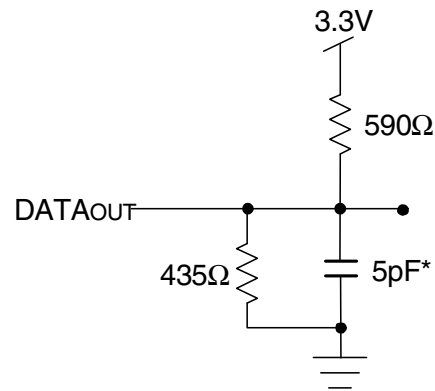
|                               |                     |
|-------------------------------|---------------------|
| Input Pulse Levels            | GND to 3.0V         |
| Input Rise/Fall Times         | 3ns                 |
| Input Timing Reference Levels | 1.5V                |
| Output Reference Levels       | 1.5V                |
| Output Load                   | Figures 1, 2, and 3 |

7343 tbl 10



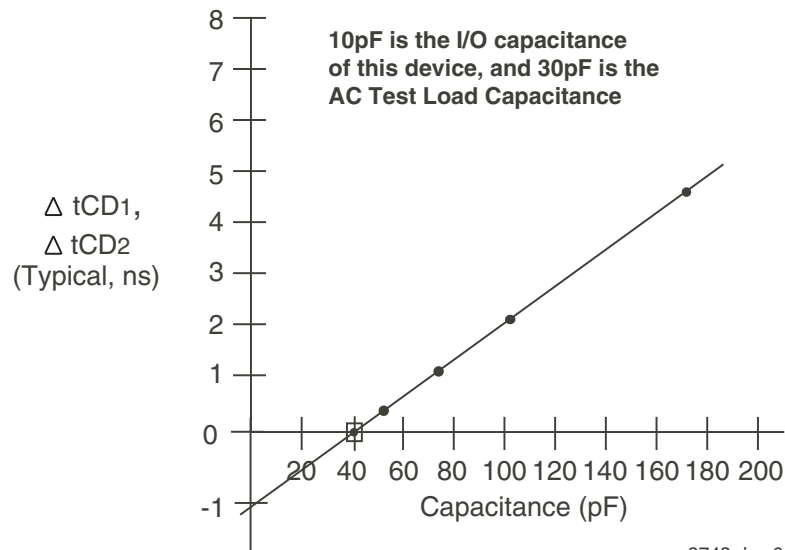
3743 drw 03

Figure 1. AC Output Test load.



3743 drw 04

Figure 2. Output Test Load  
(For tCKLZ, tCKHZ, tOLZ, and tOHZ).  
\*Including scope and jig.



3743 drw 05

Figure 3. Typical Output Derating (Lumped Capacitive Load).

**AC Electrical Characteristics Over the Operating Temperature Range**  
**(Read and Write Cycle Timing)<sup>(3,4)</sup> ( $V_{DD} = 3.3V \pm 0.3V$ ,  $T_A = 0^\circ C$  to  $+70^\circ C$ )**

| Symbol                    | Parameter   | 70V9279/69X6 Com'1 Only |      | 70V9279/69X7 Com'1 & Ind |      | 70V9279/69X9 Com'1 Only |      | Unit |
|---------------------------|---|-------------------------|------|--------------------------|------|-------------------------|------|------|
|                           |   | Min.                    | Max. | Min.                     | Max. | Min.                    | Max. |      |
| t <sub>CYC1</sub>         | Clock Cycle Time (Flow-Through) <sup>(2)</sup>    | 19                      | —    | 22                       | —    | 25                      | —    | ns   |
| t <sub>CYC2</sub>         | Clock Cycle Time (Pipelined) <sup>(2)</sup>       | 10                      | —    | 12                       | —    | 15                      | —    | ns   |
| t <sub>CH1</sub>          | Clock High Time (Flow-Through) <sup>(2)</sup>     | 6.5                     | —    | 7.5                      | —    | 12                      | —    | ns   |
| t <sub>CL1</sub>          | Clock Low Time (Flow-Through) <sup>(2)</sup>      | 6.5                     | —    | 7.5                      | —    | 12                      | —    | ns   |
| t <sub>CH2</sub>          | Clock High Time (Pipelined) <sup>(2)</sup>        | 4                       | —    | 5                        | —    | 6                       | —    | ns   |
| t <sub>CL2</sub>          | Clock Low Time (Pipelined) <sup>(2)</sup>         | 4                       | —    | 5                        | —    | 6                       | —    | ns   |
| t <sub>R</sub>            | Clock Rise Time                                   | —                       | 3    | —                        | 3    | —                       | 3    | ns   |
| t <sub>F</sub>            | Clock Fall Time                                   | —                       | 3    | —                        | 3    | —                       | 3    | ns   |
| t <sub>SA</sub>           | Address Setup Time                                | 3.5                     | —    | 4                        | —    | 4                       | —    | ns   |
| t <sub>HA</sub>           | Address Hold Time                                 | 0                       | —    | 0                        | —    | 1                       | —    | ns   |
| t <sub>SC</sub>           | Chip Enable Setup Time                            | 3.5                     | —    | 4                        | —    | 4                       | —    | ns   |
| t <sub>HC</sub>           | Chip Enable Hold Time                             | 0                       | —    | 0                        | —    | 1                       | —    | ns   |
| t <sub>SW</sub>           | R/W Setup Time                                    | 3.5                     | —    | 4                        | —    | 4                       | —    | ns   |
| t <sub>HW</sub>           | R/W Hold Time                                     | 0                       | —    | 0                        | —    | 1                       | —    | ns   |
| t <sub>SD</sub>           | Input Data Setup Time                             | 3.5                     | —    | 4                        | —    | 4                       | —    | ns   |
| t <sub>HD</sub>           | Input Data Hold Time                              | 0                       | —    | 0                        | —    | 1                       | —    | ns   |
| t <sub>SAD</sub>          | $\overline{ADS}$ Setup Time                       | 3.5                     | —    | 4                        | —    | 4                       | —    | ns   |
| t <sub>HAD</sub>          | $\overline{ADS}$ Hold Time                        | 0                       | —    | 0                        | —    | 1                       | —    | ns   |
| t <sub>SCN</sub>          | $\overline{CNTEN}$ Setup Time                     | 3.5                     | —    | 4                        | —    | 4                       | —    | ns   |
| t <sub>HCN</sub>          | $\overline{CNTEN}$ Hold Time                      | 0                       | —    | 0                        | —    | 1                       | —    | ns   |
| t <sub>SRST</sub>         | $\overline{CNRST}$ Setup Time                     | 3.5                     | —    | 4                        | —    | 4                       | —    | ns   |
| t <sub>HRST</sub>         | $\overline{CNRST}$ Hold Time                      | 0                       | —    | 0                        | —    | 1                       | —    | ns   |
| t <sub>OE</sub>           | Output Enable to Data Valid                       | —                       | 6.5  | —                        | 7.5  | —                       | 9    | ns   |
| t <sub>OLZ</sub>          | Output Enable to Output Low-Z <sup>(1)</sup>      | 2                       | —    | 2                        | —    | 2                       | —    | ns   |
| t <sub>OHZ</sub>          | Output Enable to Output High-Z <sup>(1)</sup>     | 1                       | 7    | 1                        | 7    | 1                       | 7    | ns   |
| t <sub>CD1</sub>          | Clock to Data Valid (Flow-Through) <sup>(2)</sup> | —                       | 15   | —                        | 18   | —                       | 20   | ns   |
| t <sub>CD2</sub>          | Clock to Data Valid (Pipelined) <sup>(2)</sup>    | —                       | 6.5  | —                        | 7.5  | —                       | 9    | ns   |
| t <sub>DC</sub>           | Data Output Hold After Clock High                 | 2                       | —    | 2                        | —    | 2                       | —    | ns   |
| t <sub>CKHZ</sub>         | Clock High to Output High-Z <sup>(1)</sup>        | 2                       | 9    | 2                        | 9    | 2                       | 9    | ns   |
| t <sub>CKLZ</sub>         | Clock High to Output Low-Z <sup>(1)</sup>         | 2                       | —    | 2                        | —    | 2                       | —    | ns   |
| <b>Port-to-Port Delay</b> |   |                         |      |                          |      |                         |      |      |
| t <sub>CWDD</sub>         | Write Port Clock High to Read Data Delay          | —                       | 24   | —                        | 28   | —                       | 35   | ns   |
| t <sub>CCS</sub>          | Clock-to-Clock Setup Time                         | —                       | 9    | —                        | 10   | —                       | 15   | ns   |

**NOTES:**

3743 tbl 11a

1. Transition is measured 0mV from Low or High-impedance voltage with the Output Test Load (Figure 2). This parameter is guaranteed by device characterization, but is not production tested.
2. The Pipelined output parameters (t<sub>CYC2</sub>, t<sub>CD2</sub>) apply to either or both left and right ports when  $\overline{FT}/PIPE = V_{IH}$ . Flow-through parameters (t<sub>CYC1</sub>, t<sub>CD1</sub>) apply when  $\overline{FT}/PIPE = V_{IL}$  for that port.
3. All input signals are synchronous with respect to the clock except for the asynchronous Output Enable ( $\overline{OE}$ ) and  $\overline{FT}/PIPE$ .  $\overline{FT}/PIPE$  should be treated as a DC signal, i.e. steady state during operation.
4. 'X' in part number indicates power rating (S or L).



**AC Electrical Characteristics Over the Operating Temperature Range (Read and Write Cycle Timing)<sup>(3,4)</sup> ( $V_{DD} = 3.3V \pm 0.3V$ ,  $T_A = 0^\circ C$  to  $+70^\circ C$ )(Cont'd)**

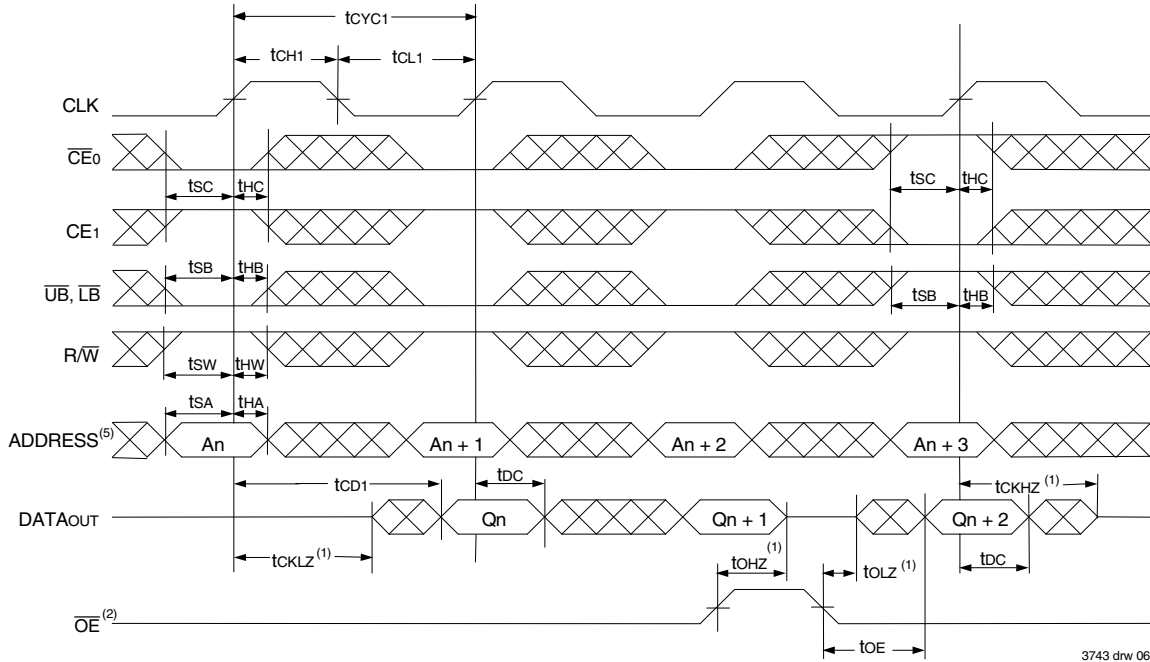
| Symbol                    | Parameter   | 70V9279/69X12 Com'l Only |      | 70V9279/69X15 Com'l Only |      | Unit |
|---------------------------|---|--------------------------|------|--------------------------|------|------|
|                           |   | Min.                     | Max. | Min.                     | Max. |      |
| t <sub>CYC1</sub>         | Clock Cycle Time (Flow-Through) <sup>(2)</sup>    | 30                       | —    | 35                       | —    | ns   |
| t <sub>CYC2</sub>         | Clock Cycle Time (Pipelined) <sup>(2)</sup>       | 20                       | —    | 25                       | —    | ns   |
| t <sub>CH1</sub>          | Clock High Time (Flow-Through) <sup>(2)</sup>     | 12                       | —    | 12                       | —    | ns   |
| t <sub>CL1</sub>          | Clock Low Time (Flow-Through) <sup>(2)</sup>      | 12                       | —    | 12                       | —    | ns   |
| t <sub>CH2</sub>          | Clock High Time (Pipelined) <sup>(2)</sup>        | 8                        | —    | 10                       | —    | ns   |
| t <sub>CL2</sub>          | Clock Low Time (Pipelined) <sup>(2)</sup>         | 8                        | —    | 10                       | —    | ns   |
| t <sub>R</sub>            | Clock Rise Time                                   | —                        | 3    | —                        | 3    | ns   |
| t <sub>F</sub>            | Clock Fall Time                                   | —                        | 3    | —                        | 3    | ns   |
| t <sub>SA</sub>           | Address Setup Time                                | 4                        | —    | 4                        | —    | ns   |
| t <sub>HA</sub>           | Address Hold Time                                 | 1                        | —    | 1                        | —    | ns   |
| t <sub>SC</sub>           | Chip Enable Setup Time                            | 4                        | —    | 4                        | —    | ns   |
| t <sub>HC</sub>           | Chip Enable Hold Time                             | 1                        | —    | 1                        | —    | ns   |
| t <sub>SW</sub>           | R/W Setup Time                                    | 4                        | —    | 4                        | —    | ns   |
| t <sub>HW</sub>           | R/W Hold Time                                     | 1                        | —    | 1                        | —    | ns   |
| t <sub>SD</sub>           | Input Data Setup Time                             | 4                        | —    | 4                        | —    | ns   |
| t <sub>HD</sub>           | Input Data Hold Time                              | 1                        | —    | 1                        | —    | ns   |
| t <sub>SAD</sub>          | $\overline{ADS}$ Setup Time                       | 4                        | —    | 4                        | —    | ns   |
| t <sub>HAD</sub>          | $\overline{ADS}$ Hold Time                        | 1                        | —    | 1                        | —    | ns   |
| t <sub>SCN</sub>          | $\overline{CNTEN}$ Setup Time                     | 4                        | —    | 4                        | —    | ns   |
| t <sub>HCN</sub>          | $\overline{CNTEN}$ Hold Time                      | 1                        | —    | 1                        | —    | ns   |
| t <sub>SRST</sub>         | $\overline{CNRST}$ Setup Time                     | 4                        | —    | 4                        | —    | ns   |
| t <sub>HRST</sub>         | $\overline{CNRST}$ Hold Time                      | 1                        | —    | 1                        | —    | ns   |
| t <sub>OE</sub>           | Output Enable to Data Valid                       | —                        | 12   | —                        | 15   | ns   |
| t <sub>OLZ</sub>          | Output Enable to Output Low-Z <sup>(1)</sup>      | 2                        | —    | 2                        | —    | ns   |
| t <sub>OHZ</sub>          | Output Enable to Output High-Z <sup>(1)</sup>     | 1                        | 7    | 1                        | 7    | ns   |
| t <sub>CD1</sub>          | Clock to Data Valid (Flow-Through) <sup>(2)</sup> | —                        | 25   | —                        | 30   | ns   |
| t <sub>CD2</sub>          | Clock to Data Valid (Pipelined) <sup>(2)</sup>    | —                        | 12   | —                        | 15   | ns   |
| t <sub>DC</sub>           | Data Output Hold After Clock High                 | 2                        | —    | 2                        | —    | ns   |
| t <sub>CKHZ</sub>         | Clock High to Output High-Z <sup>(1)</sup>        | 2                        | 9    | 2                        | 9    | ns   |
| t <sub>CKLZ</sub>         | Clock High to Output Low-Z <sup>(1)</sup>         | 2                        | —    | 2                        | —    | ns   |
| <b>Port-to-Port Delay</b> |   |                          |      |                          |      |      |
| t <sub>CWDD</sub>         | Write Port Clock High to Read Data Delay          | —                        | 40   | —                        | 50   | ns   |
| t <sub>CCS</sub>          | Clock-to-Clock Setup Time                         | —                        | 15   | —                        | 20   | ns   |

3743 tbl 11b

**NOTES:**

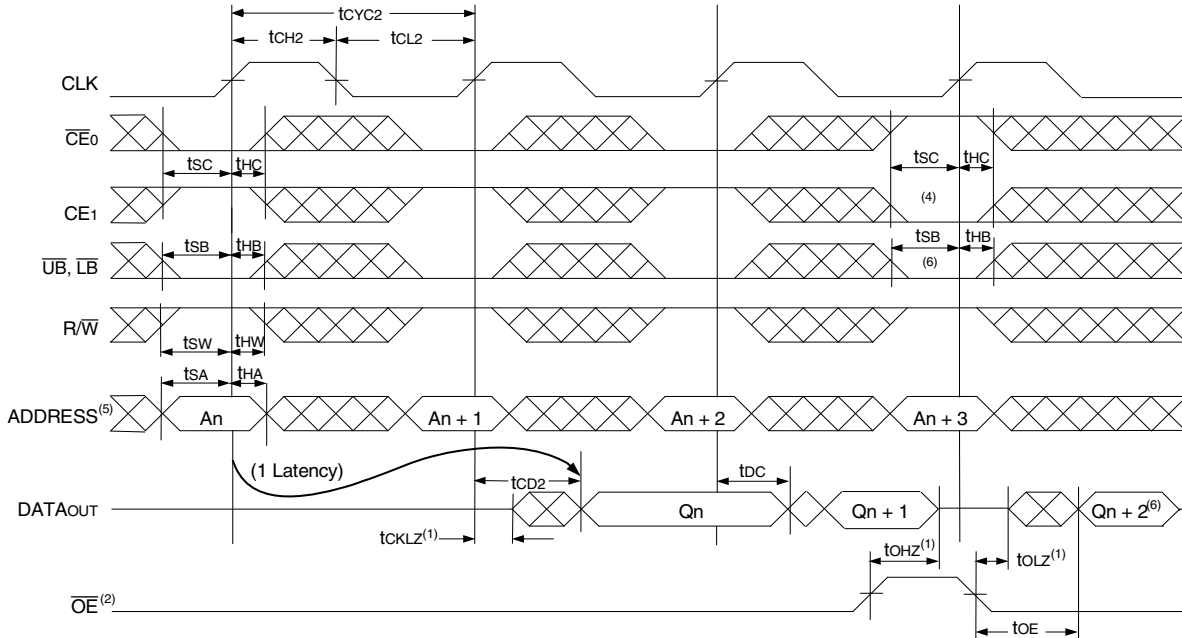
1. Transition is measured 0mV from Low or High-impedance voltage with the Output Test Load (Figure 2). This parameter is guaranteed by device characterization, but is not production tested.
2. The Pipelined output parameters (t<sub>CYC2</sub>, t<sub>CD2</sub>) apply to either or both left and right ports when  $\overline{FT}/PIPE = V_{IH}$ . Flow-through parameters (t<sub>CYC1</sub>, t<sub>CD1</sub>) apply when  $\overline{FT}/PIPE = V_{IL}$  for that port.
3. All input signals are synchronous with respect to the clock except for the asynchronous Output Enable ( $\overline{OE}$ ) and  $\overline{FT}/PIPE$ .  $\overline{FT}/PIPE$  should be treated as a DC signal, i.e. steady state during operation.
4. 'X' in part number indicates power rating (S or L).

### Timing Waveform of Read Cycle for Flow-through Output ( $\overline{FT}/PIPE "x" = V_{IL}$ )<sup>(3,7)</sup>



3743 drw 06

### Timing Waveform of Read Cycle for Pipelined Output ( $\overline{FT}/PIPE "x" = V_{IH}$ )<sup>(3,7)</sup>

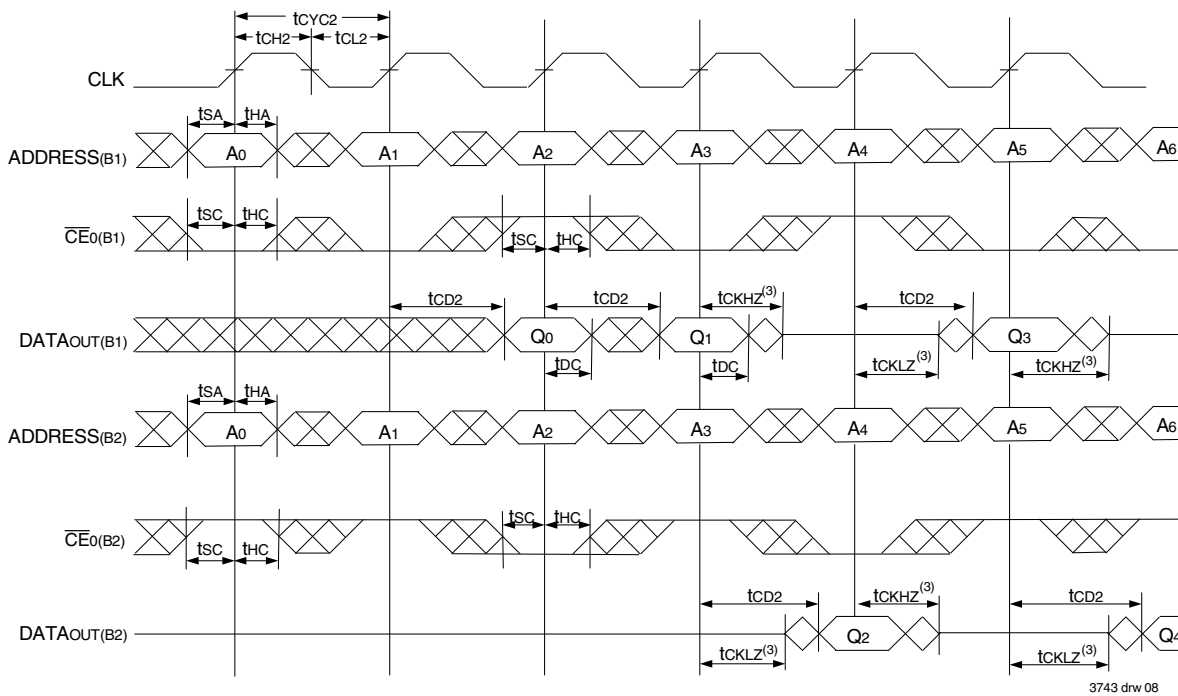


3743 drw 07

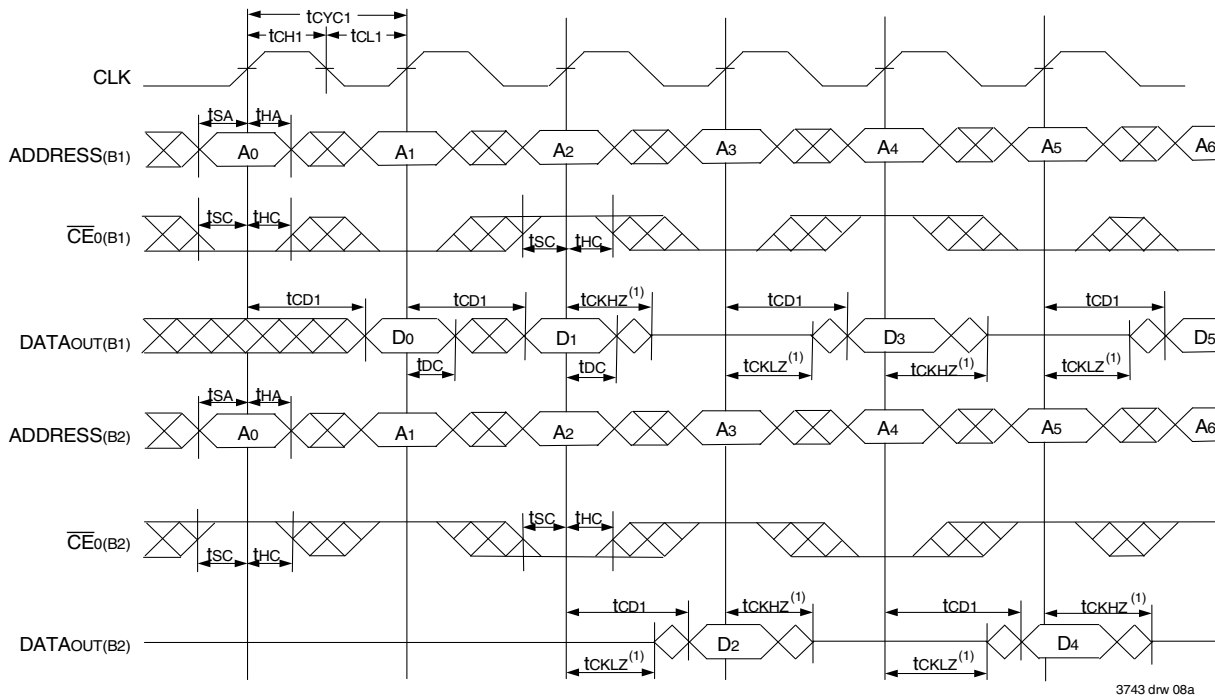
**NOTES:**

1. Transition is measured 0mV from Low or High-impedance voltage with the Output Test Load (Figure 2).
2.  $\overline{OE}$  is asynchronously controlled; all other inputs are synchronous to the rising clock edge.
3.  $\overline{ADS} = V_{IL}$ ,  $\overline{CNTEN}$  and  $\overline{CNRST} = V_{IH}$ .
4. The output is disabled (High-Impedance state) by  $\overline{CE0} = V_{IH}$  or  $CE1 = V_{IL}$  following the next rising edge of the clock. Refer to Truth Table 1.
5. Addresses do not have to be accessed sequentially since  $\overline{ADS} = V_{IL}$  constantly loads the address on the rising edge of the CLK; numbers are for reference use only.
6. If  $\overline{UB}$  or  $\overline{LB}$  was HIGH, then the Upper Byte and/or Lower Byte of DATAout for  $Qn + 2$  would be disabled (High-Impedance state).
7. "x" denotes Left or Right port. The diagram is with respect to that port.

Timing Waveform of a Bank Select Pipelined Read<sup>(1,2)</sup>



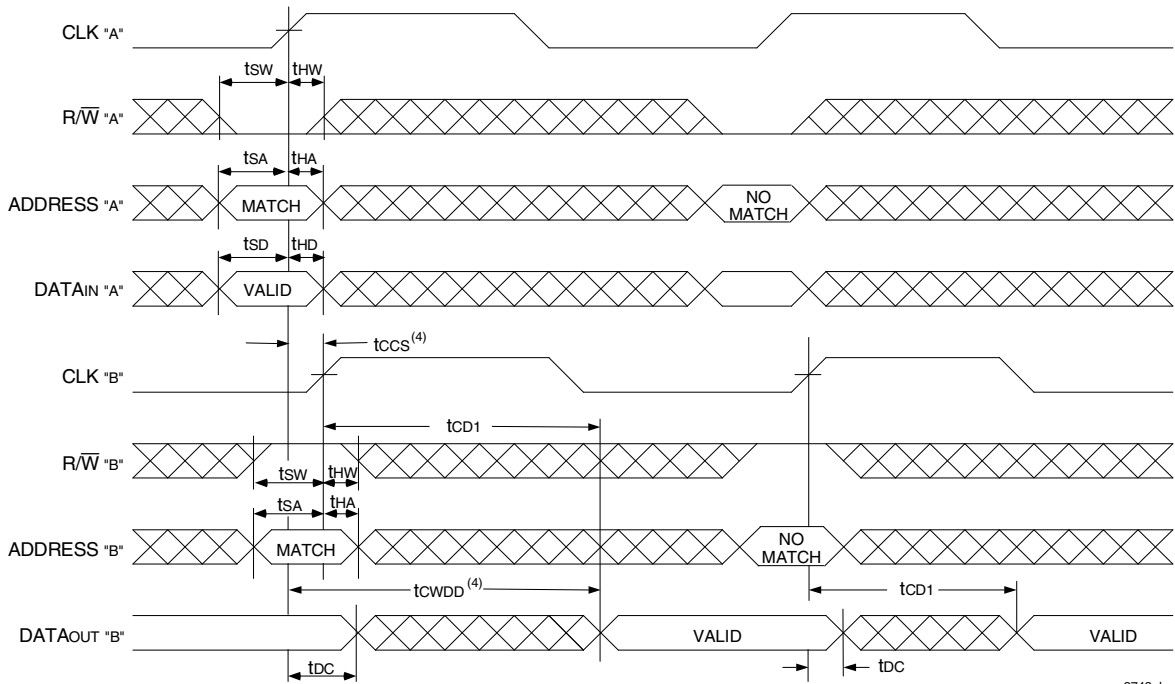
Timing Waveform of a Bank Select Flow-Through Read<sup>(6)</sup>



NOTES:

1. B1 Represents Bank #1; B2 Represents Bank #2. Each Bank consists of one IDT70V9279/69 for this waveform, and are setup for depth expansion in this example. ADDRESS<sub>(B1)</sub> = ADDRESS<sub>(B2)</sub> in this situation.
2.  $\overline{UB}$ ,  $\overline{LB}$ ,  $\overline{OE}$ , and  $\overline{ADS}$  =  $V_{IL}$ ; CE<sub>1(B1)</sub>, CE<sub>1(B2)</sub>, R/ $\overline{W}$ ,  $\overline{CNTEN}$ , and  $\overline{CNTRST}$  =  $V_{IH}$ .
3. Transition is measured 0mV from Low or High-impedance voltage with the Output Test Load (Figure 2).
4. CE<sub>0</sub>,  $\overline{UB}$ ,  $\overline{LB}$ , and  $\overline{ADS}$  =  $V_{IL}$ ; CE<sub>1</sub>,  $\overline{CNTEN}$ , and  $\overline{CNTRST}$  =  $V_{IH}$ .
5.  $\overline{OE}$  =  $V_{IL}$  for the Right Port, which is being read from.  $\overline{OE}$  =  $V_{IH}$  for the Left Port, which is being written to.
6. If  $t_{CCS} \leq$  maximum specified, then data from right port READ is not valid until the maximum specified for  $t_{CWD0}$ .  
If  $t_{CCS} >$  maximum specified, then data from right port READ is not valid until  $t_{CCS} + t_{CD1}$ .  $t_{CWD0}$  does not apply in this case.

### Timing Waveform with Port-to-Port Flow-Through Read<sup>(1,2,3,5)</sup>

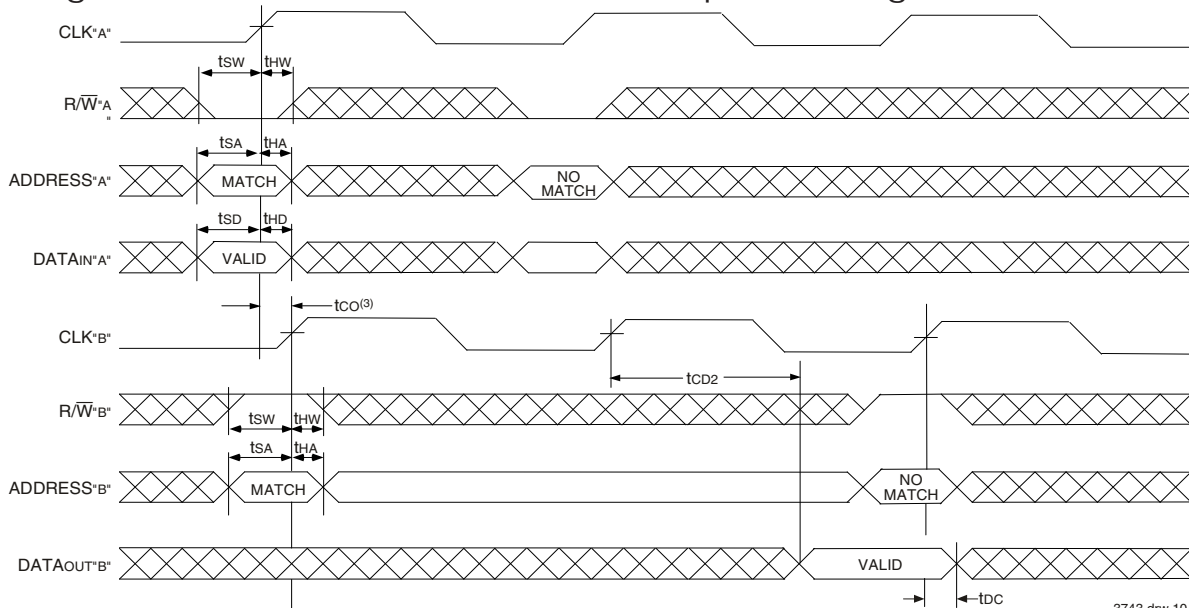


3743 drw 09

**NOTES:**

1. Transition is measured 0mV from Low or High-impedance voltage with the Output Test Load (Figure 2).
2.  $\overline{CE}_0$ ,  $\overline{UB}$ ,  $\overline{LB}$ , and  $\overline{ADS} = V_{IL}$ ;  $CE_1$ ,  $\overline{CNTEN}$ , and  $\overline{CNRST} = V_{IH}$ .
3.  $\overline{OE} = V_{IL}$  for the Right Port, which is being read from.  $\overline{OE} = V_{IH}$  for the Left Port, which is being written to.
4. If  $t_{CCS} \leq$  maximum specified, then data from right port READ is not valid until the maximum specified for  $t_{CWD}$ .  
If  $t_{CCS} >$  maximum specified, then data from right port READ is not valid until  $t_{CCS} + t_{CD1}$ .  $t_{CWD}$  does not apply in this case.
5. All timing is the same for both left and right ports. Port "A" may be either left or right port. Port "B" is the opposite of Port "A".

### Timing Waveform of Left Port Write to Pipelined Right Port Read<sup>(1,2,4)</sup>

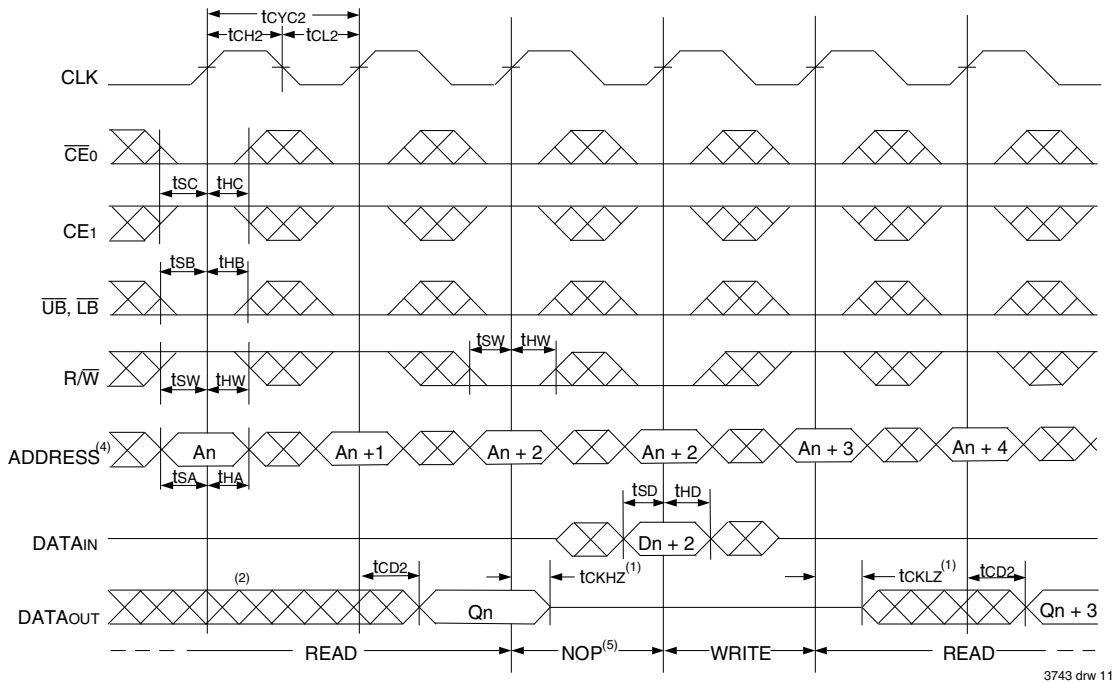


3743 drw 10

**NOTES:**

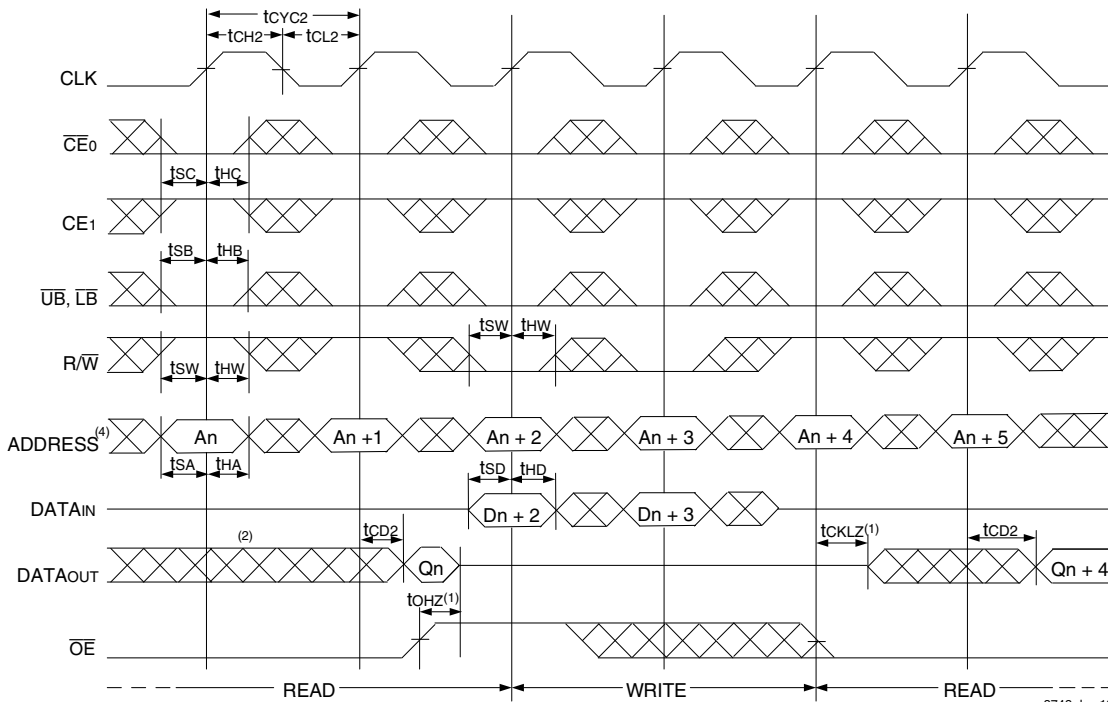
1.  $\overline{CE}_0$ ,  $\overline{BE}_n$ , and  $\overline{ADS} = V_{IL}$ ;  $CE_1$ ,  $\overline{CNTEN}$ , and  $\overline{REPEAT} = V_{IH}$ .
2.  $\overline{OE} = V_{IL}$  for Port "B", which is being read from.  $\overline{OE} = V_{IH}$  for Port "A", which is being written to.
3. If  $t_{CO} \leq$  minimum specified, then data from Port "B" read is not valid until following Port "B" clock cycle (ie, time from write to valid read on opposite port will be  $t_{CO} + 2 t_{CVC2} + t_{CD2}$ ). If  $t_{CO} >$  minimum, then data from Port "B" read is available on first Port "B" clock cycle (ie, time from write to valid read on opposite port will be  $t_{CO} + t_{CVC2} + t_{CD2}$ ).
4. All timing is the same for Left and Right ports. Port "A" may be either Left or Right port. Port "B" is the opposite of Port "A"

Timing Waveform of Pipelined Read-to-Write-to-Read ( $\overline{OE} = V_{IL}$ )<sup>(3)</sup>



3743 drw 11

Timing Waveform of Pipelined Read-to-Write-to-Read ( $\overline{OE}$  Controlled)<sup>(3)</sup>

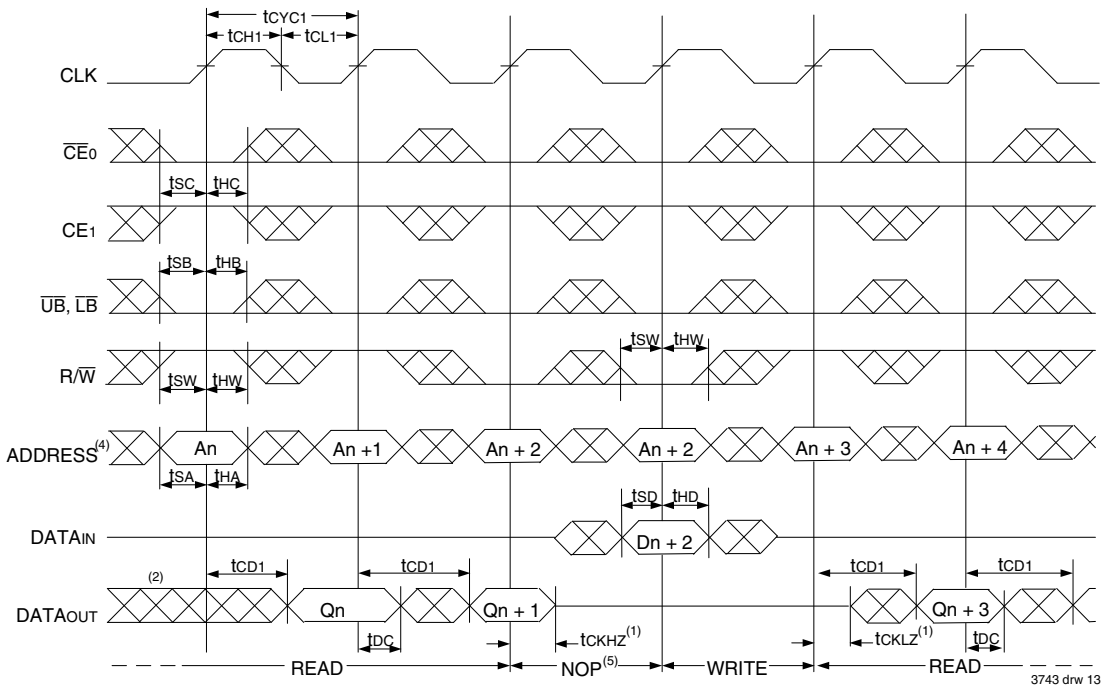


3743 drw 12

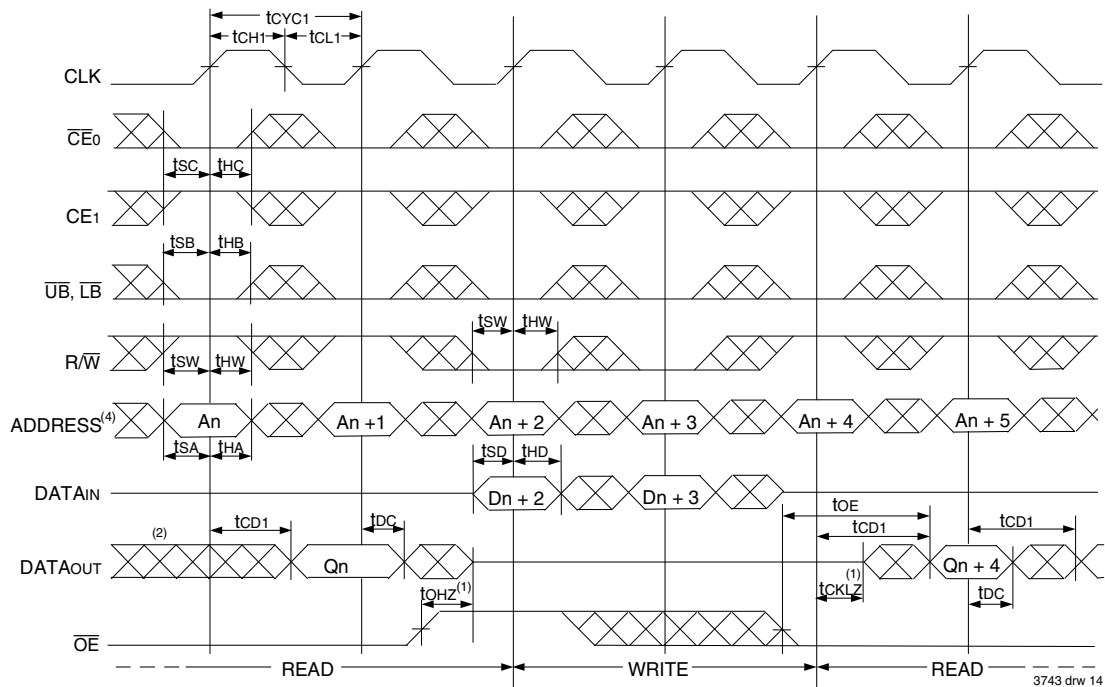
NOTES:

1. Transition is measured 0mV from Low or High-impedance voltage with the Output Test Load (Figure 2).
2. Output state (High, Low, or High-impedance) is determined by the previous cycle control signals.
3.  $\overline{CE}_0$ ,  $\overline{UB}$ ,  $\overline{LB}$ , and  $\overline{ADS} = V_{IL}$ ;  $\overline{CE}_1$ ,  $\overline{CNTEN}$ , and  $\overline{CNTRST} = V_{IH}$ .
4. Addresses do not have to be accessed sequentially since  $\overline{ADS} = V_{IL}$  constantly loads the address on the rising edge of the CLK; numbers are for reference use only.
5. "NOP" is "No Operation." Data in memory at the selected address may be corrupted and should be rewritten to guarantee data integrity.

Timing Waveform of Flow-Through Read-to-Write-to-Read ( $\overline{OE} = V_{IL}$ )<sup>(3)</sup>



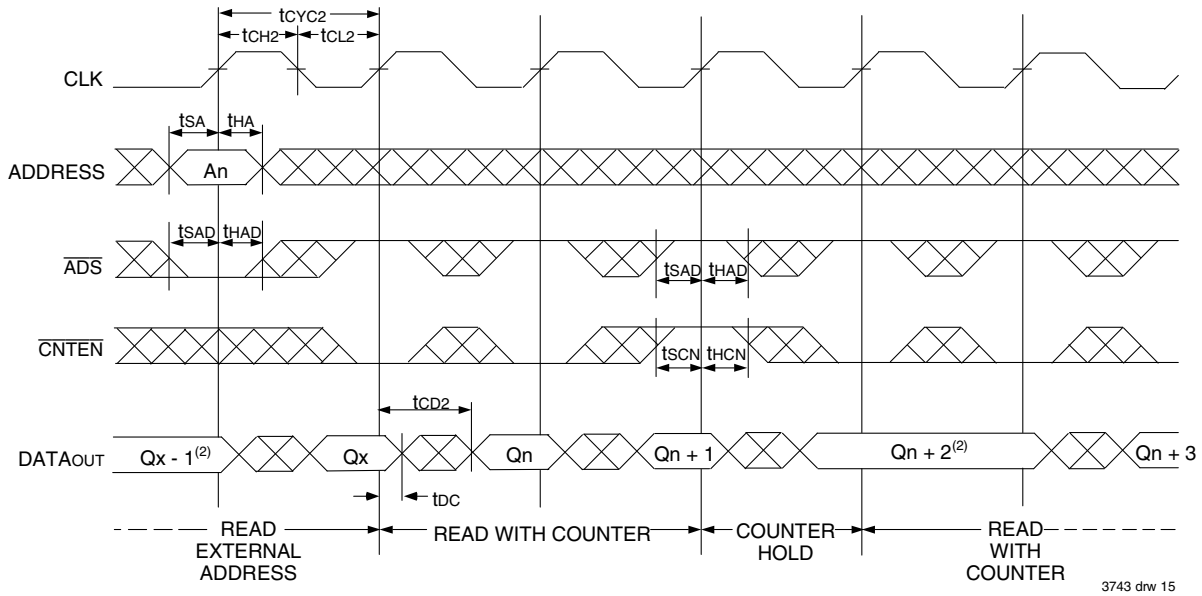
Timing Waveform of Flow-Through Read-to-Write-to-Read ( $\overline{OE}$  Controlled)<sup>(3)</sup>



NOTES:

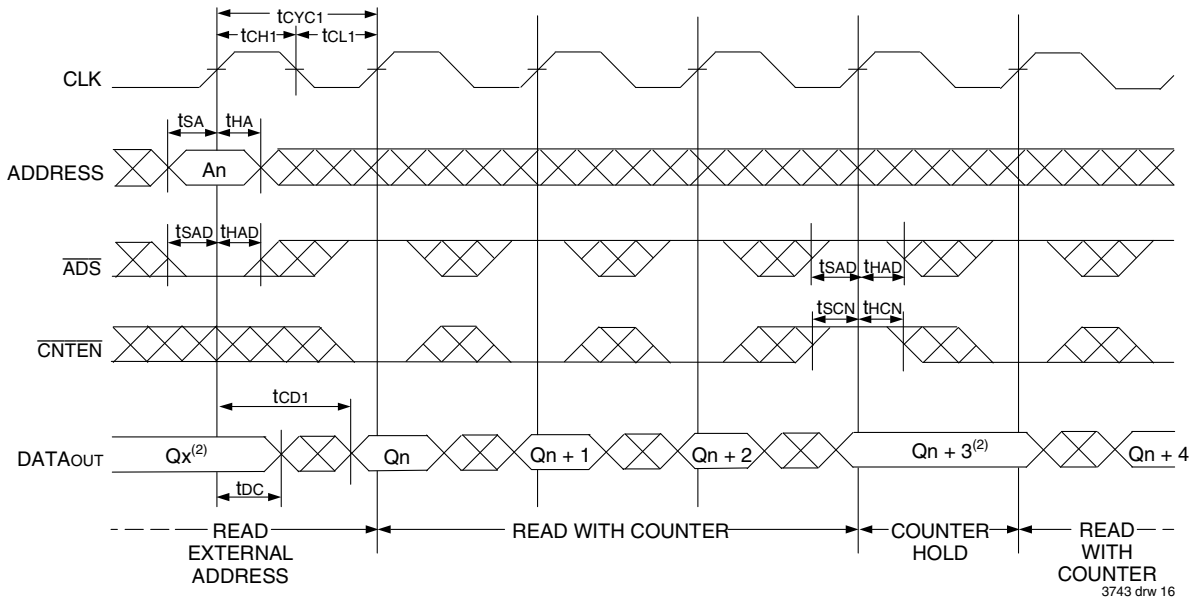
1. Transition is measured 0mV from Low or High-impedance voltage with the Output Test Load (Figure 2).
2. Output state (High, Low, or High-impedance) is determined by the previous cycle control signals.
3.  $\overline{CE0}$ ,  $\overline{UB}$ ,  $\overline{LB}$ , and  $\overline{ADS} = V_{IL}$ ;  $\overline{CE1}$ ,  $\overline{CNTEN}$ , and  $\overline{CNTNST} = V_{IH}$ .
4. Addresses do not have to be accessed sequentially since  $\overline{ADS} = V_{IL}$  constantly loads the address on the rising edge of the CLK; numbers are for reference use only.
5. "NOP" is "No Operation." Data in memory at the selected address may be corrupted and should be rewritten to guarantee data integrity.

Timing Waveform of Pipelined Read with Address Counter Advance<sup>(1)</sup>



3743 drw 15

Timing Waveform of Flow-Through Read with Address Counter Advance<sup>(1)</sup>



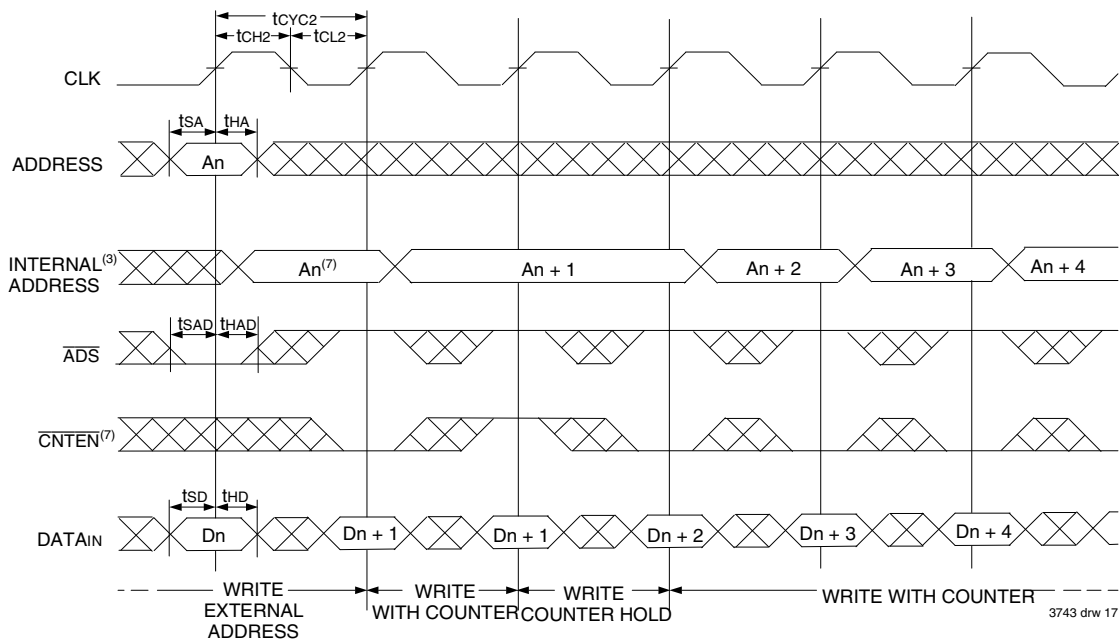
3743 drw 16

NOTES:

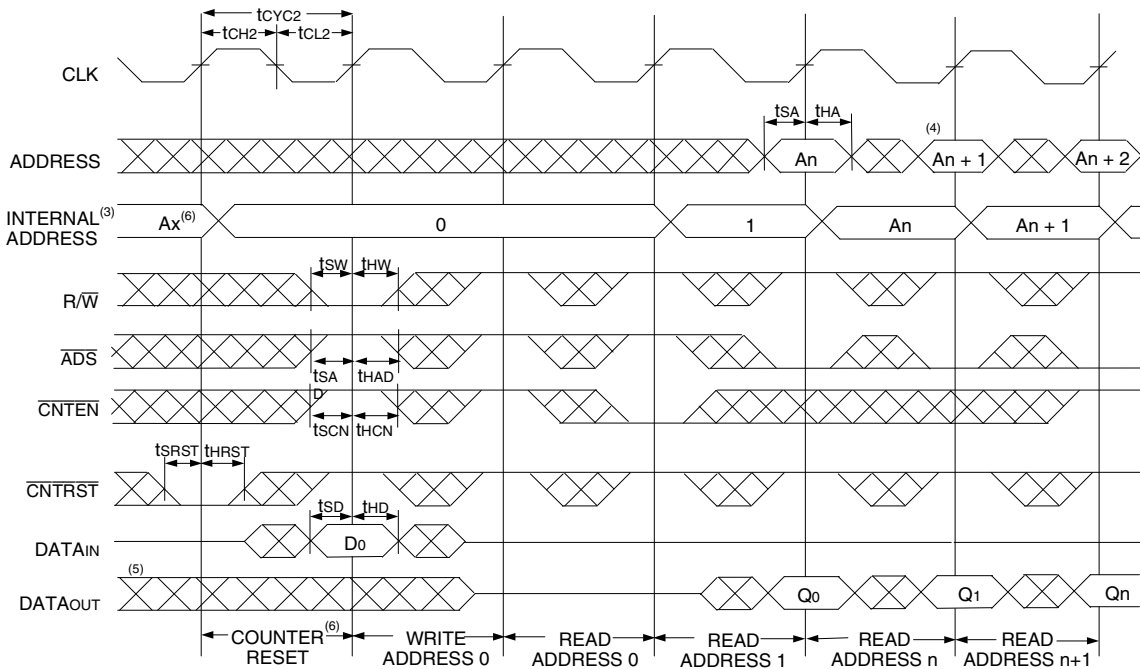
1.  $\overline{CE}_0$ ,  $\overline{OE}$ ,  $\overline{UB}$ , and  $\overline{LB} = V_{IL}$ ;  $CE_1$ ,  $R\overline{W}$ , and  $\overline{CNTRST} = V_{IH}$ .

2. If there is no address change via  $ADS = V_{IL}$  (loading a new address) or  $\overline{CNTEN} = V_{IL}$  (advancing the address), i.e.  $\overline{ADS} = V_{IH}$  and  $\overline{CNTEN} = V_{IH}$ , then the data output remains constant for subsequent clocks.

### Timing Waveform of Write with Address Counter Advance (Flow-Through or Pipelined Outputs)<sup>(1)</sup>



### Timing Waveform of Counter Reset (Pipelined Outputs)<sup>(2)</sup>



**NOTES:**

1.  $\overline{CE}_0$ ,  $\overline{UB}$ ,  $\overline{LB}$ , and  $R/\overline{W}$  =  $V_{IL}$ ;  $CE_1$  and  $\overline{CNTRST}$  =  $V_{IH}$ .
2.  $\overline{CE}_0$ ,  $\overline{UB}$ ,  $\overline{LB}$  =  $V_{IL}$ ;  $CE_1$  =  $V_{IH}$ .
3. The "Internal Address" is equal to the "External Address" when  $\overline{ADS} = V_{IL}$  and equals the counter output when  $\overline{ADS} = V_{IH}$ .
4. Addresses do not have to be accessed sequentially since  $\overline{ADS} = V_{IL}$  constantly loads the address on the rising edge of the CLK; numbers are for reference use only.
5. Output state (High, Low, or High-impedance) is determined by the previous cycle control signals.
6. No dead cycle exists during counter reset. A READ or WRITE cycle may be coincidental with the counter reset cycle.  $ADDR_0$  will be accessed. Extra cycles are shown here simply for clarification.
7.  $\overline{CNTEN} = V_{IL}$  advances Internal Address from 'An' to 'An + 1'. The transition shown indicates the time required for the counter to advance. The 'An + 1' Address is written to during this cycle.

3743 drw 18



### Functional Description

The IDT70V9279/69 provides a true synchronous Dual-Port Static RAM interface. Registered inputs provide minimal set-up and hold times on address, data, and all critical control inputs. All internal registers are clocked on the rising edge of the clock signal, however, the self-timed internal write pulse is independent of the LOW to HIGH transition of the clock signal.

An asynchronous output enable is provided to ease asynchronous bus interfacing. Counter enable inputs are also provided to staff the operation of the address counters for fast interleaved memory applications.

A HIGH on  $\overline{CE_0}$  or a LOW on  $CE_1$  for one clock cycle will power down the internal circuitry to reduce static power consumption. Multiple chip enables allow easier banking of multiple IDT70V9279/69's for depth expansion configurations. When the Pipelined output mode is enabled, two cycles are required with  $\overline{CE_0}$  LOW and  $CE_1$  HIGH to reactivate the outputs.

### Depth and Width Expansion

The IDT70V9279/69 features dual chip enables (refer to Truth Table I) in order to facilitate rapid and simple depth expansion with no requirements for external logic. Figure 4 illustrates how to control the various chip enables in order to expand two devices in depth.

The IDT70V9279/69 can also be used in applications requiring expanded width, as indicated in Figure 4. Since the banks are allocated at the discretion of the user, the external controller can be set up to drive the input signals for the various devices as required to allow for 32-bit or wider applications.

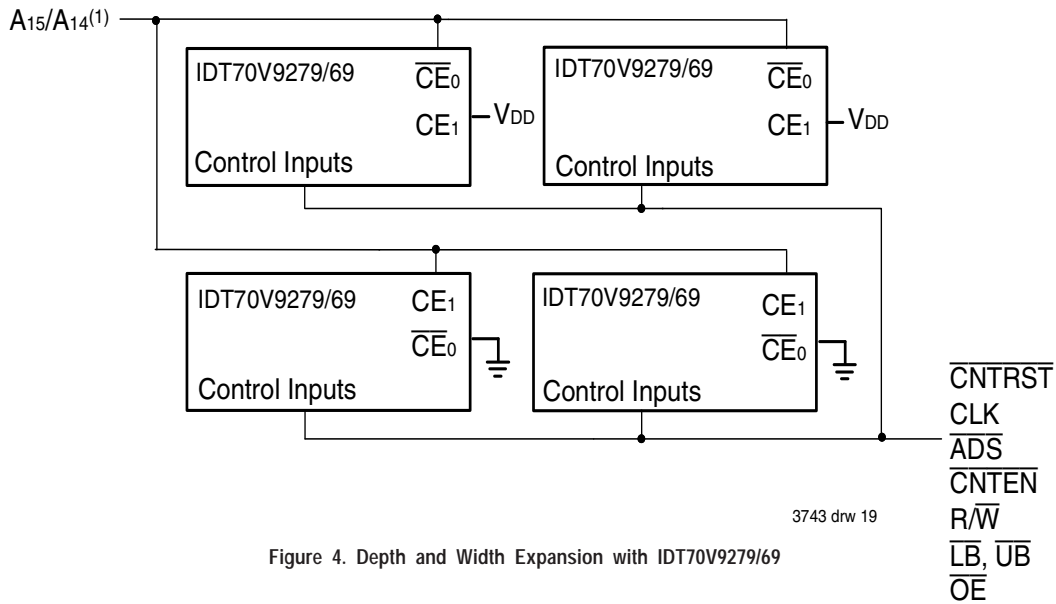
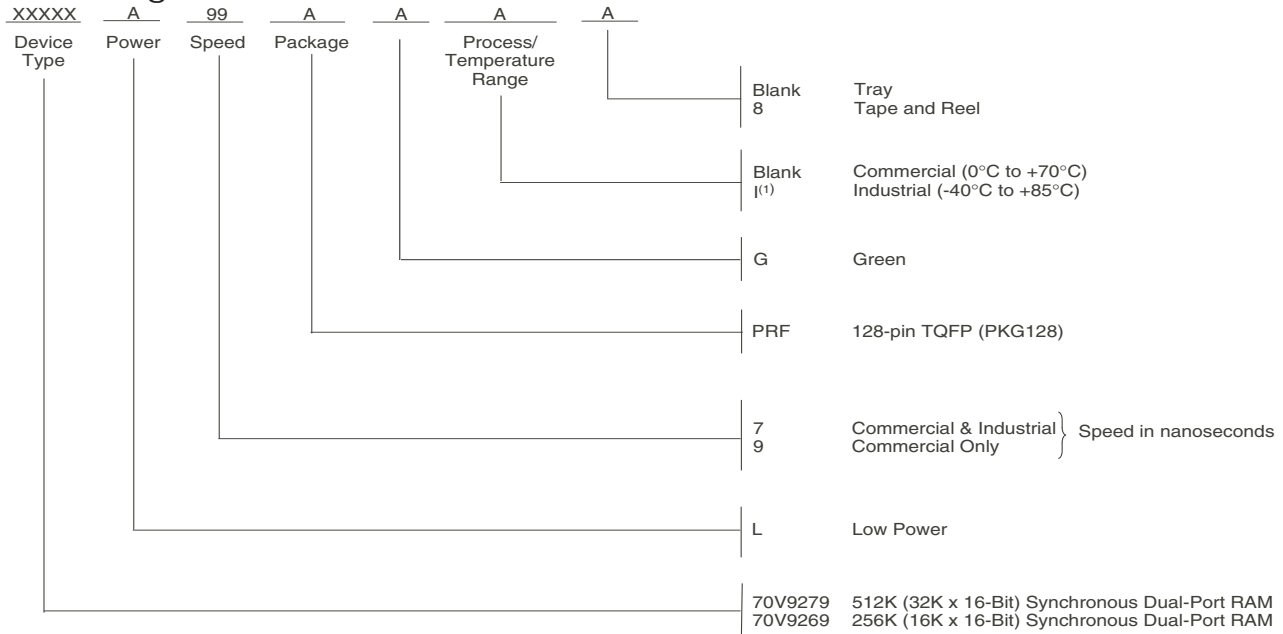


Figure 4. Depth and Width Expansion with IDT70V9279/69

**NOTE:**

- 1. A15 is for IDT70V9279. A14 is for IDT70V9269.

### Ordering Information



**NOTES:**

3743 drw 20

- Contact your local sales office for industrial temp. range for other speeds, packages and powers.  
**LEAD FINISH (SnPb) parts are Obsolete. Product Discontinuation Notice - PDN# SP-17-02**  
 Note that information regarding recently obsoleted parts are included in this datasheet for customer convenience.

### Ordering Information for Flow-through Devices

| Old Flow-through Part | New Combined Part |
|-----------------------|-------------------|
| 70V927S/L25           | 70V9279L7         |
| 70V927S/L30           | 70V9279L9         |

3743 tbl 12

### IDT Clock Solution for IDT70V9279/69 Dual-Port

| IDT Dual-Port Part Number | Dual-Port I/O Specifications |       | Clock Specifications |                              |                   |                  | IDT PLL Clock Device | IDT Non-PLL Clock Device                               |
|---------------------------|------------------------------|-------|----------------------|------------------------------|-------------------|------------------|----------------------|--|
|                           | Voltage                      | I/O   | Input Capacitance    | Input Duty Cycle Requirement | Maximum Frequency | Jitter Tolerance |                      |  |
| 70V9279/69                | 3.3                          | LVTTL | 9pF                  | 40%                          | 100               | 150ps            | 2305<br>2308<br>2309 | 49FCT3805<br>49FCT3805D/E<br>74FCT3807<br>74FCT3807D/E |

3743 tbl 13

### Orderable Part Information

| Speed (ns) | Orderable Part ID | Pkg. Code | Pkg. Type | Temp. Grade |
|------------|-------------------|-----------|-----------|-------------|
| 7          | 70V9279L7PRFG     | PKG128    | TQFP      | C           |
|            | 70V9279L7PRFG8    | PKG128    | TQFP      | C           |
|            | 70V9279L7PRFGI    | PKG128    | TQFP      | I           |
|            | 70V9279L7PRFGI8   | PKG128    | TQFP      | I           |

| Speed (ns) | Orderable Part ID | Pkg. Code | Pkg. Type | Temp. Grade |
|------------|-------------------|-----------|-----------|-------------|
| 9          | 70V9269L9PRFG     | PKG128    | TQFP      | C           |
|            | 70V9269L9PRFG8    | PKG128    | TQFP      | C           |

## Datasheet Document History

|            |             |   |
|------------|-------------|---|
| 01/12/99:  |             | Initiated datasheet document history<br>Converted to new format<br>Cosmetic and typographical corrections<br>Added additional notes to pin configurations   |
|            | Page 14     | Added Depth & Width Expansion section   |
| 06/15/99:  | Page 4      | Deleted note 6 for Table II   |
| 09/29/99:  | Page 7      | Corrected typo in heading   |
| 11/10/99:  |             | Replaced IDT logo   |
| 03/31/00:  |             | Combined Pipelined 70V9279/69 family and Flow-through 70V927 family offerings into one data sheet<br>Changed $\pm 200\text{mV}$ in waveform notes to $0\text{mV}$<br>Added corresponding part chart with ordering information |
| 01/017/01: | Page 4      | Changed information in Truth Table II<br>Increased storage temperature parameters<br>Clarified TA parameter   |
|            | Page 5      | DC Electrical parameters—changed wording from "open" to "disabled"<br>Removed Preliminary status  |
| 02/25/04:  |             | Consolidated multiple devices into one datasheet<br>Changed naming conventions from Vcc to VDD and from GND to VSS  |
|            | Page 2      | Added date revision for pin configuration   |
|            | Page 3      | Added footnotes for $\overline{\text{UB}}$ , $\overline{\text{LB}}$ , $\overline{\text{CE0}}$ and CE1 buffer conditions when $\overline{\text{FT}}$ or PIPE   |
|            | Page 4      | Added junction temperature to Absolute Maximum Ratings Table<br>Added Ambient Temperature footnote  |
|            | Page 5      | Added I-temp numbers for 9ns speed to DC Electrical Characteristics Table<br>Added 6ns speed DC power numbers to the DC Electrical Characteristics Table  |
|            | Page 7      | Added I-temp for 9ns speed to AC Electrical Characteristics Table<br>Added 6ns speed AC timing numbers to the AC Electrical Characteristics Table   |
|            | Page 18     | Added 6ns speed grade and 9ns I-temp to ordering information<br>Added IDT Clock Solution Table  |
|            | Page 1 & 19 | Updated IDT logo, replaced IDT™ logo with IDT® logo   |
| 05/04/04:  | Page 1 & 18 | Added 7ns speed grade to ordering information   |
|            | Page 5      | Added 7ns speed DC power numbers to the DC Electrical Characteristics Table   |
|            | Page 8      | Added 7ns speed AC timing numbers to the AC Electrical Characteristics Table  |
| 10/11/04:  | Page 4      | Updated Capacitance table   |
|            | Page 5      | Added 7ns I-temp and removed 9ns I-temp DC power numbers from the DC Electrical Characteristics table   |
|            | Page 8      | Added 7ns I-temp and removed 9ns I-temp from the AC Electrical Characteristics table  |
|            | Page 12     | Added Timing Waveform of Left Port Write to Pipelined Right Port Read   |
|            | Page 18     | Added 7ns I-temp and removed 9ns I-temp from ordering information   |
| 01/19/06:  | Page 1      | Added green availability to features  |
|            | Page 18     | Added green indicator to ordering information   |
| 10/23/08:  | Page 18     | Removed "IDT" from orderable part number  |
| 06/25/18:  |             | Added Tape & Reel to Ordering Information<br>Product Discontinuation Notice - PDN# SP-17-02<br>Last time buy expires June 15, 2018  |
| 08/06/19:  | Page 1 & 18 | Deleted obsolete Commercial speed grades 6/12/15ns  |
|            | Page 2      | Updated package code PK-128 to PKG128   |
|            | Page 18     | Added Orderable Part Information table  |

## IMPORTANT NOTICE AND DISCLAIMER

RENESAS ELECTRONICS CORPORATION AND ITS SUBSIDIARIES (“RENESAS”) PROVIDES TECHNICAL SPECIFICATIONS AND RELIABILITY DATA (INCLUDING DATASHEETS), DESIGN RESOURCES (INCLUDING REFERENCE DESIGNS), APPLICATION OR OTHER DESIGN ADVICE, WEB TOOLS, SAFETY INFORMATION, AND OTHER RESOURCES “AS IS” AND WITH ALL FAULTS, AND DISCLAIMS ALL WARRANTIES, EXPRESS OR IMPLIED, INCLUDING, WITHOUT LIMITATION, ANY IMPLIED WARRANTIES OF MERCHANTABILITY, FITNESS FOR A PARTICULAR PURPOSE, OR NON-INFRINGEMENT OF THIRD PARTY INTELLECTUAL PROPERTY RIGHTS.

These resources are intended for developers skilled in the art designing with Renesas products. You are solely responsible for (1) selecting the appropriate products for your application, (2) designing, validating, and testing your application, and (3) ensuring your application meets applicable standards, and any other safety, security, or other requirements. These resources are subject to change without notice. Renesas grants you permission to use these resources only for development of an application that uses Renesas products. Other reproduction or use of these resources is strictly prohibited. No license is granted to any other Renesas intellectual property or to any third party intellectual property. Renesas disclaims responsibility for, and you will fully indemnify Renesas and its representatives against, any claims, damages, costs, losses, or liabilities arising out of your use of these resources. Renesas' products are provided only subject to Renesas' Terms and Conditions of Sale or other applicable terms agreed to in writing. No use of any Renesas resources expands or otherwise alters any applicable warranties or warranty disclaimers for these products.

(Rev.1.0 Mar 2020)

### Corporate Headquarters

TOYOSU FORESIA, 3-2-24 Toyosu,  
Koto-ku, Tokyo 135-0061, Japan  
[www.renesas.com](http://www.renesas.com)

### Contact Information

For further information on a product, technology, the most up-to-date version of a document, or your nearest sales office, please visit:  
[www.renesas.com/contact/](http://www.renesas.com/contact/)

### Trademarks

Renesas and the Renesas logo are trademarks of Renesas Electronics Corporation. All trademarks and registered trademarks are the property of their respective owners.