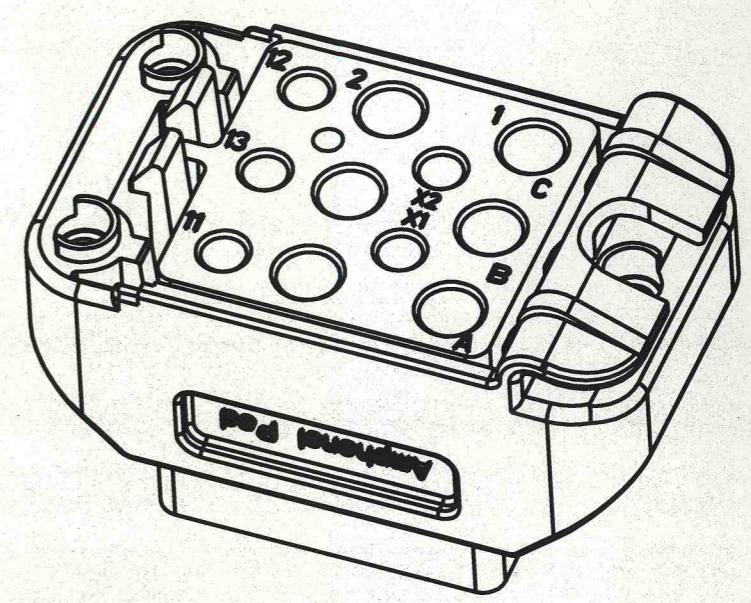
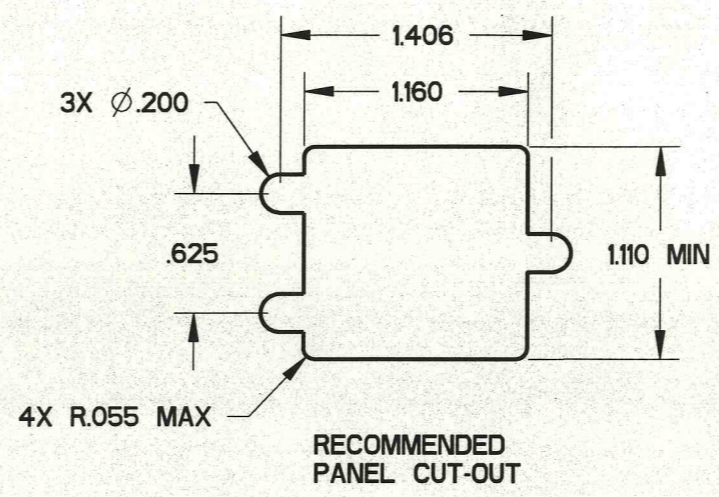
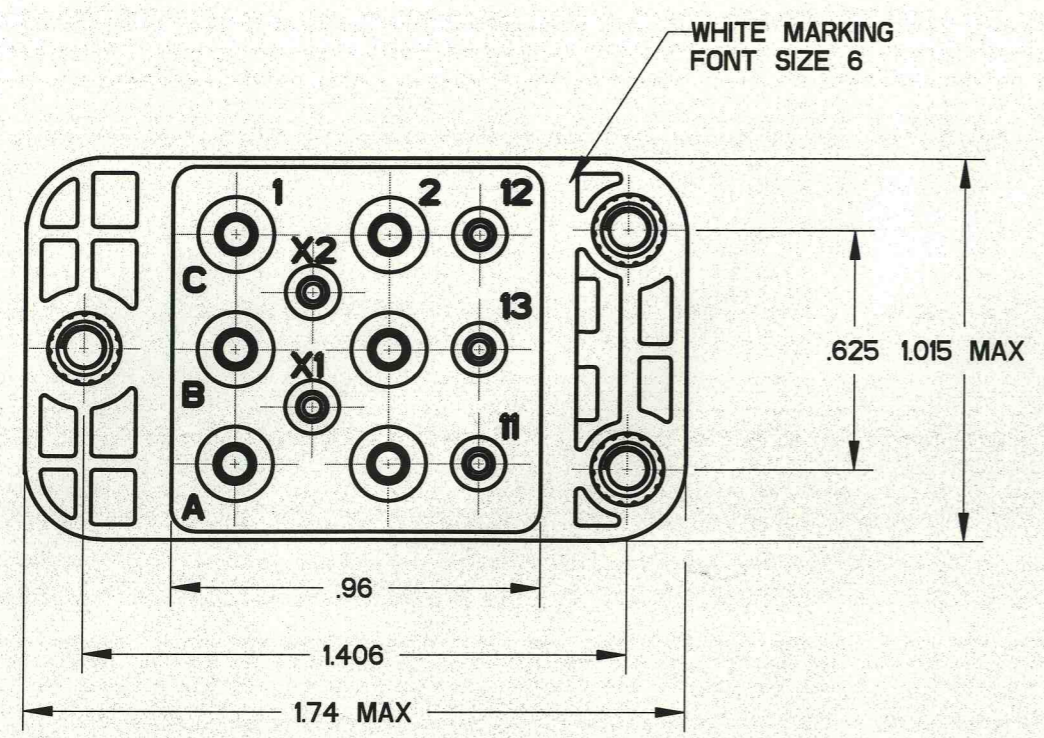
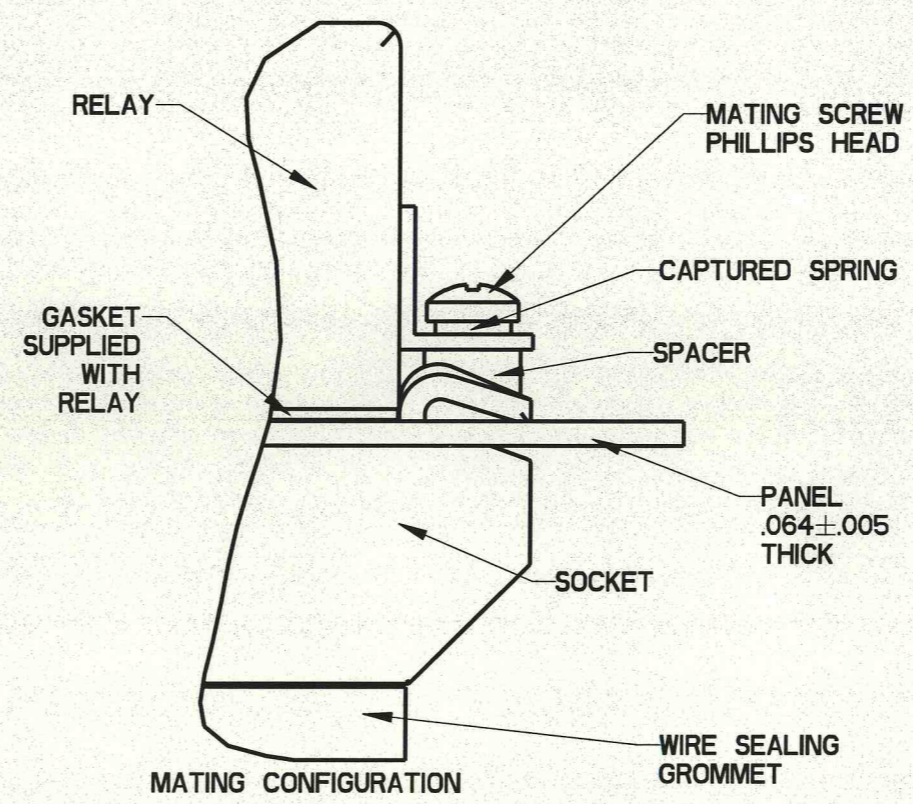
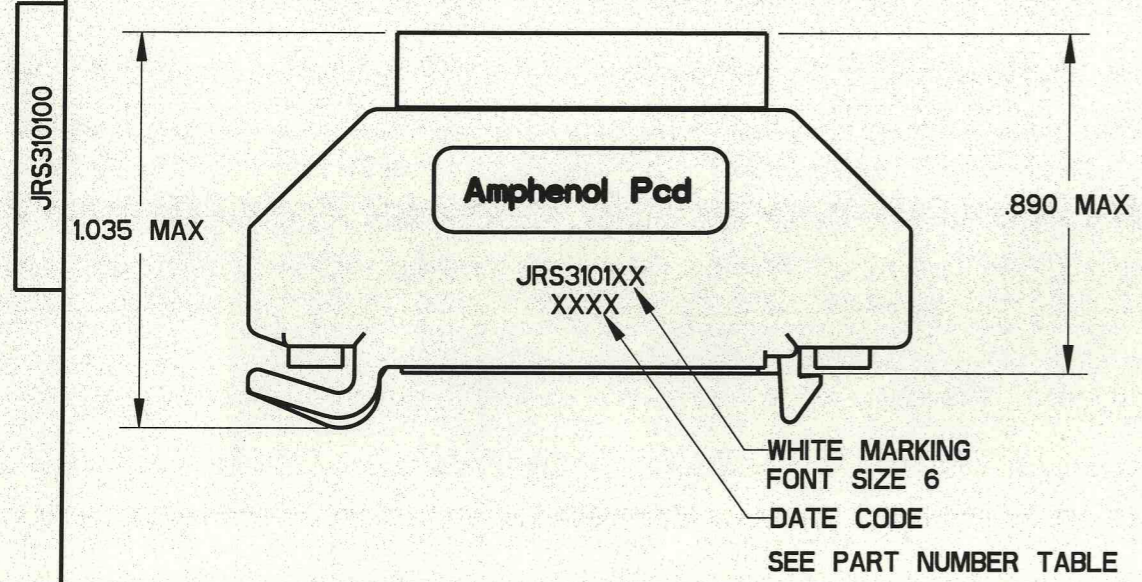


REV	ECN	APP'D
-	6299	JT 5-29-09

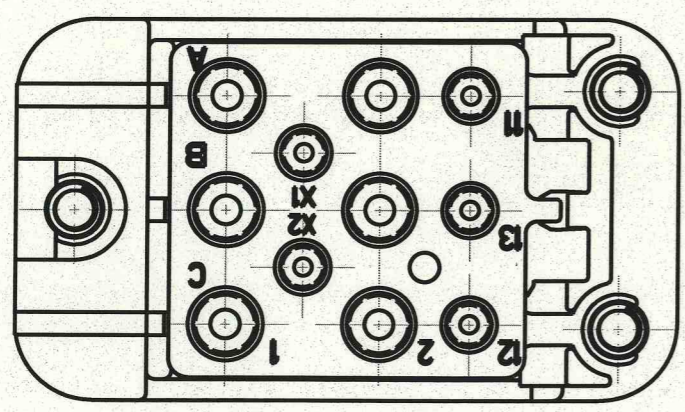


- NOTES:
- MATERIALS:  
HOUSING: POLYETHERIMIDE PER ASTM-D5205  
GROMMET: SILICONE RUBBER PER A-A-59588  
THREADED INSERT: STAINLESS STEEL
  - OPERATING RANGE:  
TEMPERATURE: -65 °C TO 125 °C  
INSULATION RESISTANCE: 1000 MEGOHMS MIN.  
DIELECTRIC WITHSTANDING VOLTAGE: 1500 VRMS AT SEA LEVEL AND 500 VRMS AT 80,000 FT. ALTITUDE  
VIBRATION: MIL-STD-202, METHOD 204, TEST CONDITION G  
SHOCK: MIL-STD-202, METHOD 213, TEST CONDITION C
  - PART ACCEPTS M39029/92-533 AND M39029/92-535 SOCKET CONTACTS, SIZE 16/16 AND SIZE 12/12.



PART NUMBER TABLE

APCD P/N	HARDWARE PACKAGE	CONTACTS SUPPLIED
JRS310100	NONE	NONE
JRS310101	NONE	YES
JRS310110	YES	NONE
JRS310111	YES	YES



DIMENSIONS ANSI Y14.5M UNITS: INCHES Pro/E FILE	TOLERANCES .XX ±0.01 .XXX ±0.005 ANGLES ±1.0°	PROJECTION 	<b>Amphenol Pcd</b> SPECIFICATION DRAWING ENGR Frank.Li 07-Apr-08		TITLE SNAP-IN RELAY SOCKET 3 POLE		
			ORIGINAL 	THIS DOCUMENT CONTAINS PROPRIETARY INFORMATION WHICH IS THE CONFIDENTIAL PROPERTY OF AMPHENOL PCD INC., BEVERLY, MA		CHKD  5/29/09 APPD JT 5-29-09	SIZE B DWG NO. JRS310100 REV -