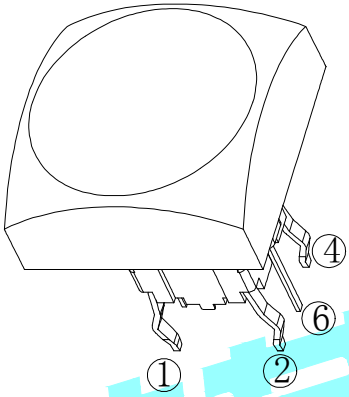
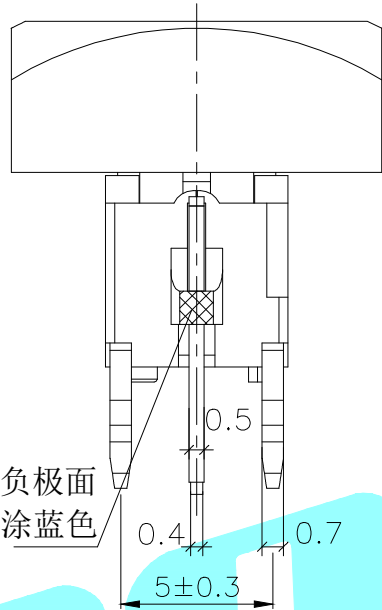
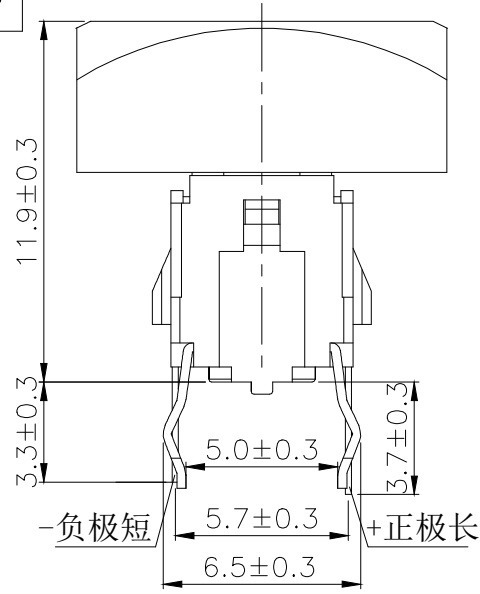
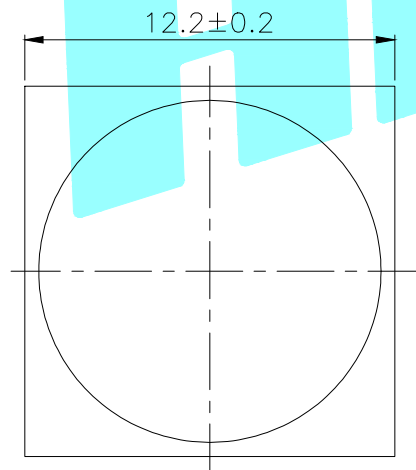


ROHS

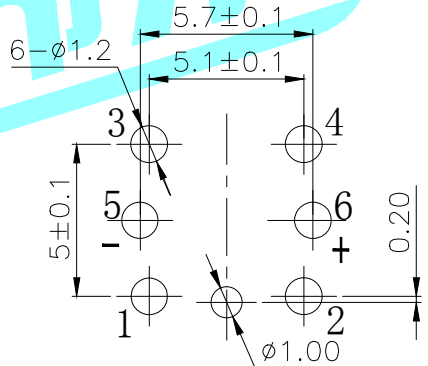
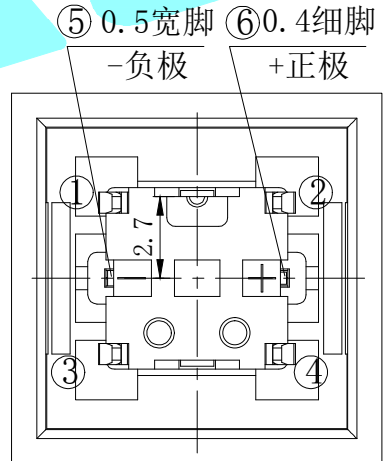


LED colour(LED颜色)	Part No. 料号
White(白色)	K6-6271D01
Red(红色)	K6-6271D02
Blue(蓝色)	K6-6271D03
Green(绿色)	K6-6271D04
Yellow(黄色)	K6-6271D05
Orange(橙色)	K6-6271D06

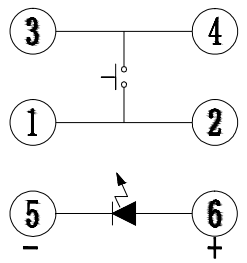
A ↑



A 向



PCBLayout(Pattern Side)



电原理图

③	key cap	—	1	PC	Transparent	—
②	Terminal	—	6	H62	Ag Plating	—
①	Housing	—	1	PA66	Black	—
ITEM	PART NAME	TER'NO.	QTY.	MATERIAL	FINISHING	REMARK

APPROVALS			DATE		 ELECTRONICS CO.,LTD										
DRAWN	J.X.Zhang		2013/11/11				TITLE:	LED Tact Switch							
CHECKED					PART NO.	K6-6271D									
APPROVALS					TOLERANCES ARE	<table border="1"> <tr> <td>30~以上</td> <td>±0.30</td> <td rowspan="4">ANGLE</td> </tr> <tr> <td>10~30</td> <td>±0.20</td> </tr> <tr> <td>5~10</td> <td>±0.15</td> </tr> <tr> <td>~ 5</td> <td>±0.10</td> </tr> </table>	30~以上	±0.30	ANGLE	10~30	±0.20	5~10	±0.15	~ 5	±0.10
30~以上	±0.30	ANGLE													
10~30	±0.20														
5~10	±0.15														
~ 5	±0.10														
ECN NO.	REV.	DATE.	DESCRIPTION.	CHANGE.	CHECK.	APPRO.	UNIT: mm SCALE: 1:1 PROJ:								
	A		NEW				DRAWING NO. SHEET 1 OF 1								

ECN NO.	REV.	DATE.	DESCRIPTION.	CHANGE.	CHECK.	APPRO.
	A		NEW			