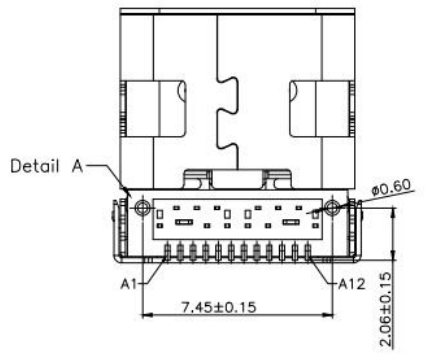
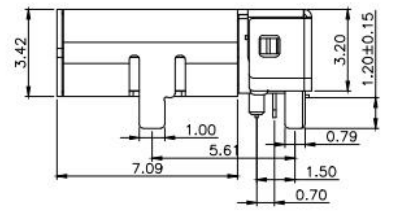


- NOTE:
- MATERIAL:
    - INSULATOR: HIGH TEMPERATURE PLASTIC UL 94 V-0: Black Color
    - CONTACT: C7025 (T=0.12mm)
    - SHELL: STAINLESS STEEL (T=0.20mm)
    - COVER SHELL: STAINLESS STEEL (T=0.20mm)
    - INNER GROUND COVER SHELL: STAINLESS STEEL (T=0.10mm)
    - MID PLATE: STAINLESS STEEL (T=0.10mm)
  - ELECTRICAL CHARACTERISTICS:
    - CONTACT RESISTANCE: 40m Ω Max FOR INITIAL, 10m Ω CHANGE AFTER TEST. MEASURE AT 20mv, 100mA.
    - CONTACT CURRENT RATING: 5A FOR COLLECTIVELY POWER SUPPLY PIN (PIN1, A1, A9, A12, B1, B4, B9, B12); 1.25A FOR VCONN PIN; 0.25A FOR OTHER SIGNAL PIN.
    - DIELECTRIC WITHSTANDING VOLTAGE: 100V AC R.M.S.
    - INSULATION RESISTANCE 1000 Ω Min
    - OPERATING TEMPERATURE: -40° C ~ 85° C
  - MECHANICAL CHARACTERISTICS:
    - MATING FORCE: 5\*20 N.
    - UNMATED FORCE: 8\*20N INITIAL TEST; 6\*20N DURABILITY AFTER TEST
    - DURABILITY: 10,000 CYCLES
  - PLATING
    - TERMINAL CONTACT: (SEE TAB) GOLD PLATING ON CONTACT AREA, ALL OVER 50u" Min NICKEL AND 80u" Min Matte Tin ALL OVER 50u" Min NICKEL ON SOLDER AREA
    - SHELL: 50u" Min. NICKEL ALL OVER.
    - COVER SHELL: 80u" Min. NICKEL ALL OVER.
    - INNER GROUND COVER SHELL: CLEAN
    - MID PLATE: CLEAN

RECOMMENDED PCB LAYOUT  
PCB T=1.20mm  
TOL:±0.05



Pin	Signal Name	Mating Sequence	Pin	Signal Name	Mating Sequence
A1	GND	First	B12	GND	First
A2	SSTxp1	Second	B11	SSRXp1	Second
A3	SSTXn1	Second	B10	SSRXn1	Second
A4	Vms	First	B9	Vms	First
A5	CC1	Second	B8	SBU2	Second
A6	Dp1	Second	B7	Dn2	Second
A7	Dn1	Second	B6	Dp2	Second
A8	SBU1	Second	B5	CC2	Second
A9	Vms	First	B4	Vms	First
A10	SSRXn2	Second	B3	SSTXn2	Second
A11	SSRXp2	Second	B2	SSTXp2	Second
A12	GND	First	B1	GND	First
SHELL	GND		SHELL	GND	

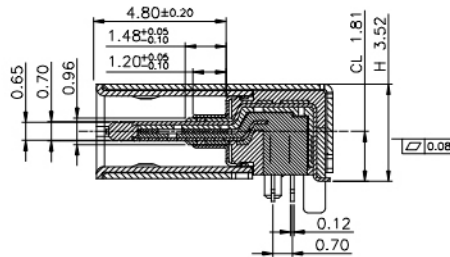
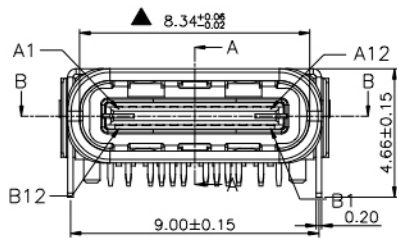


G-Switch Electronic (HongKong) CO.,Ltd.

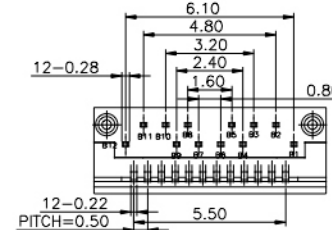
Unless otherwise specified, Tolerance:  
X. ±0.30  
X.x ±0.20  
X.xx ±0.15  
X.xxx ±0.10  
Angles ±3°

DESIGN FengFengChen DATE 2019.05.29  
CHECKED DATE  
APPROVED DATE  
<http://www.dg-switch.com>  
TEL:0769-82388879

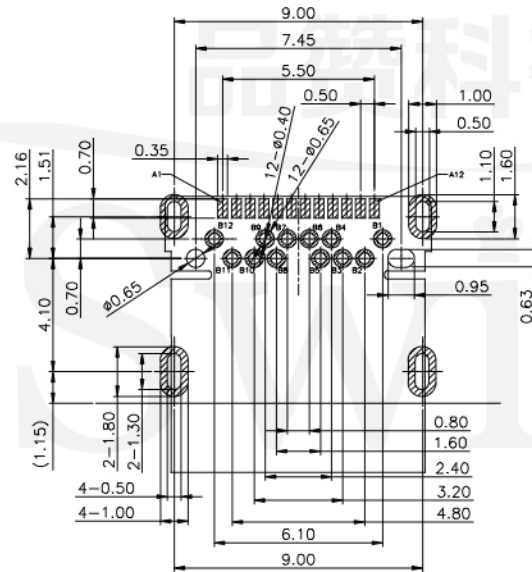
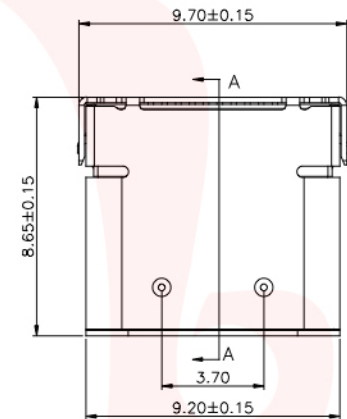
Molde code:  
**GT-USB-7001A**  
REV.: X1 SCALE: 4:1 UNIT: mm  
SIZE: A4 SHEET: 1/1



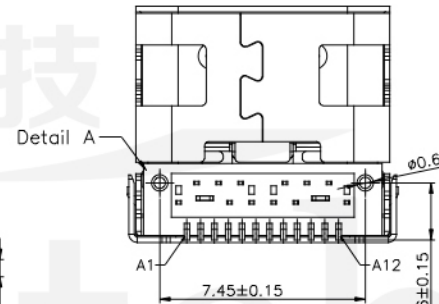
SECTION A-A



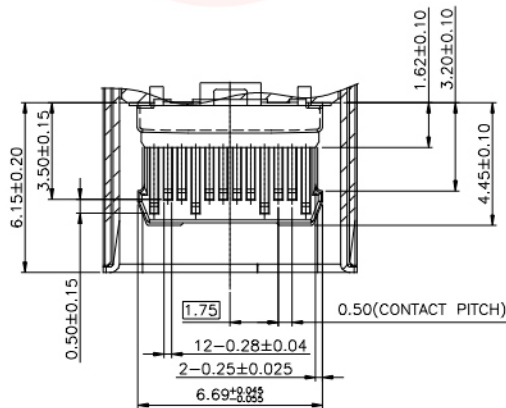
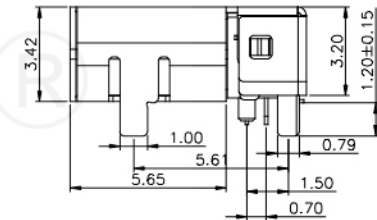
Detail A



RECOMENDED PCB LAYOUT  
PCB T=1.20mm  
TOL:±0.05



Detail A



SECTION B-B

NOTE:

- MATERIAL:
  - INSULATOR: HIGH TEMPERATURE PLASTIC UL 94 V-0; Black Color
  - CONTACT: C7025 (T=0.12mm)
  - SHELL: STAINLESS STEEL (T=0.20mm)
  - COVER SHELL: STAINLESS STEEL (T=0.20mm)
  - INNER GROUND COVER SHELL: STAINLESS STEEL (T=0.10mm)
  - MID PLATE: STAINLESS STEEL (T=0.10mm)
- ELECTRICAL CHARACTERISTICS:
  - CONTACT RESISTANCE: 40m Ω Max FOR INITIAL, 10m Ω CHANGE AFTER TEST. MEASURE AT 20mV, 100mA
  - CONTACT CURRENT RATING: 5A FOR COLLECTIVELY POWER SUPPLY
  - PIN (PIN1, A4, A9, A12, B1, B4, B9, B12): 1.25A FOR VCONN PIN; 0.25A FOR OTHER SIGNAL PIN.
  - DIELECTRIC WITHSTANDING VOLTAGE: 100V AC R.M.S.
  - INSULATION RESISTANCE 100M Ω Min
  - OPERATING TEMPERATURE: -40° C ~ 85° C
- MECHANICAL CHARACTERISTICS:
  - MATING FORCE: 5~20 N.
  - UMATED FORCE: 8~20N INITIAL TEST; 6~20N DURABILITY AFTER TEST
  - DURABILITY: 10,000 CYCLES
- PLATING:
  - TERMINAL CONTACT: (SEE TAB) GOLD PLATING ON CONTACT AREA, ALL OVER 50u" Min NICKEL AND 80u" Min Matte Tin ALL OVER 50u" Min NICKEL ON SOLDER AREA
  - SHELL: 50u" Min. NICKEL ALL OVER,
  - COVER SHELL: 80u" Min. NICKEL ALL OVER,
  - INNER GROUND COVER SHELL: CLEAN
  - MID PLATE: CLEAN

Pin	Signal Name	Mating Sequence	Pin	Signal Name	Mating Sequence
A1	GND	First	B12	GND	First
A2	SSTXp1	Second	B11	SSRXp1	Second
A3	SSTXn1	Second	B10	SSRXn1	Second
A4	Vbus	First	B9	Vbus	First
A5	CC1	Second	B8	SBU2	Second
A6	Dp1	Second	B7	Dn2	Second
A7	Dn1	Second	B6	Dp2	Second
A8	SBU1	Second	B5	CC2	Second
A9	Vbus	First	B4	Vbus	First
A10	SSRXn2	Second	B3	SSTXn2	Second
A11	SSRXp2	Second	B2	SSTXp2	Second
A12	GND	First	B1	GND	First
SHELL	GND		SHELL	GND	

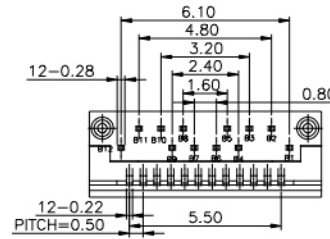
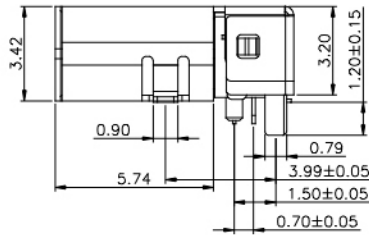
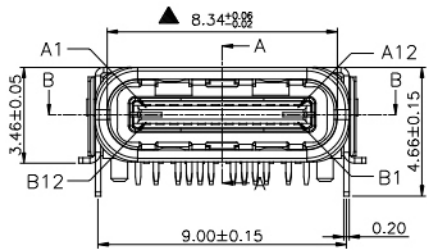


G-Switch Electronic (HongKong) CO.,Ltd.

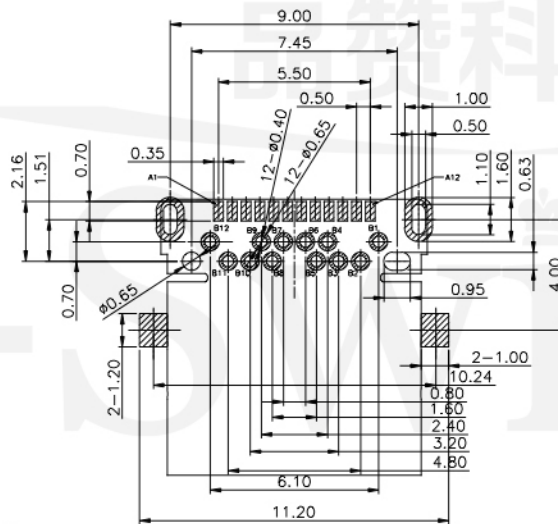
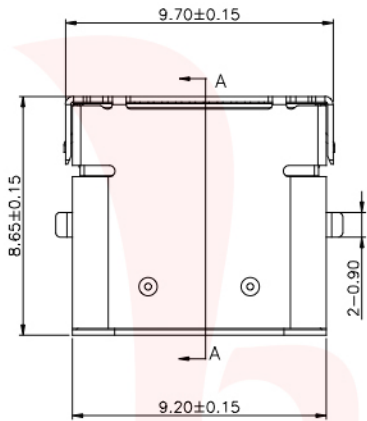
Unless otherwise specified, Tolerance:  
 X. ±0.30  
 X.x ±0.20  
 X.xx ±0.15  
 X.xxx ±0.10  
 Angles ±3°

DESIGN FengFengChen DATE 2019.05.29  
 CHECKED DATE  
 APPROVED DATE  
<http://www.dg-switch.com>  
 TEL:0769-82388879

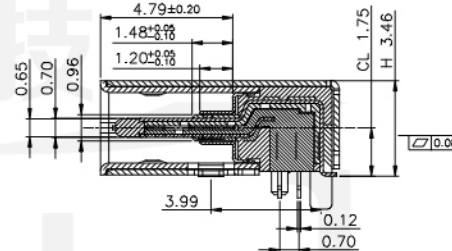
Molde code:  
**GT-USB-7001B**  
 REV.: X1 SCALE: 4:1 UNIT: mm  
 SIZE: A4 SHEET: 1/1



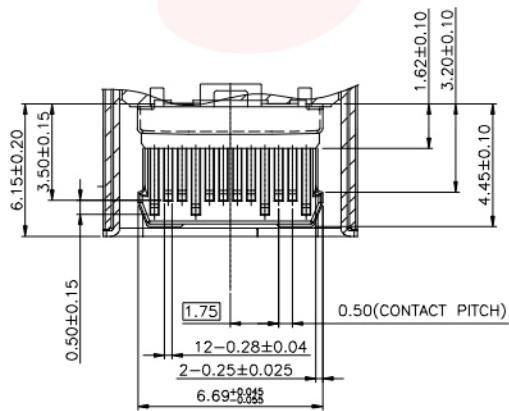
Detail A



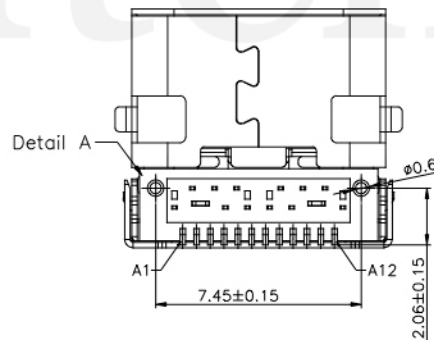
RECOMMEND P.C.B LAYOUT (COMPONENT SIDE)  
TOLERANCE FOR PCB LAYOUT IS ± 0.05



SECTION A-A



SECTION B-B



Detail A

Pin	Signal Name	Mating Sequence	Pin	Signal Name	Mating Sequence
A1	GND	First	B12	GND	First
A2	SSTXp1	Second	B11	SSRXp1	Second
A3	SSTXn1	Second	B10	SSRXn1	Second
A4	V <sub>BUS</sub>	First	B9	V <sub>BUS</sub>	First
A5	CC1	Second	B8	SBU2	Second
A6	Dp1	Second	B7	Dn2	Second
A7	Dn1	Second	B6	Dp2	Second
A8	SBU1	Second	B5	CC2	Second
A9	V <sub>BUS</sub>	First	B4	V <sub>BUS</sub>	First
A10	SSRXn2	Second	B3	SSTXn2	Second
A11	SSRXp2	Second	B2	SSTXp2	Second
A12	GND	First	B1	GND	First
SHELL	GND		SHELL	GND	

NOTE:

1.MATERIAL:

- 1.1 INSULATOR: HIGH TEMPERATURE PLASTIC UL 94 V-0; Black Color
- 1.2 CONTACT: C7025(T=0.12mm)
- 1.3 SHELL: STAINLESS STEEL(T=0.20mm)
- 1.4 COVER SHELL: STAINLESS STEEL(T=0.20mm)
- 1.5 INNER GROUND COVER SHELL: STAINLESS STEEL(T=0.10mm)
- 1.6 MID PLATE: STAINLESS STEEL(T=0.10mm)

2.ELECTRICAL CHARACTERISTICS:

- 2.1 CONTACT RESISTANCE: 40mΩ Max FOR INITIAL, 10mΩ CHANGE AFTER TEST. MEASURE AT 20mV, 100mA.
- 2.2 CONTACT CURRENT RATING: 5A FOR COLLECTIVELY POWER SUPPLY PIN(PIN1, A1, A9, A12, B1, B4, B9, B12); 1.25A FOR VCONN PIN; 0.25A FOR OTHER SIGNAL PIN.
- 2.3 DIELECTRIC WITHSTANDING VOLTAGE: 100V AC R.M.S.
- 2.4 INSULATION RESISTANCE 100MΩ Min
- 2.5 OPERATING TEMPERATURE: -40°C ~ 85°C

3.MECHANICAL CHARACTERISTICS:

- 3.1 MATING FORCE: 5~20 N.
- 3.2 UNMATED FORCE: 8~20N INITIAL TEST; 6~20N DURABILITY AFTER TEST
- 3.3 DURABILITY: 10,000 CYCLES

4.PLATING

- 4.1 TERMINAL CONTACT: (SEE TAB) GOLD PLATING ON CONTACT AREA, ALL OVER 50u" Min NICKEL AND 80u" Min Matte Tin ALL OVER 50u" Min NICKEL ON SOLDER AREA
- 4.2 SHELL: 50u" Min. NICKEL ALL OVER.
- 4.3 COVER SHELL: 80u" Min. NICKEL ALL OVER.
- 4.4 INNER GROUND COVER SHELL: CLEAN
- 4.5 MID PLATE: CLEAN



G-Switch Electronic (HongKong) CO.,Ltd.

Unless otherwise specified, Tolerance:  
X.           ±0.30  
X.x          ±0.20  
X.xx         ±0.15  
X.xxx       ±0.10  
Angles      ±3°

DESIGN FengFengChen   DATE 2019.05.29  
CHECKED                   DATE  
APPROVED                 DATE  
<http://www.dg-switch.com>  
TEL:0769-82388879

Molde code:  
**GT-USB-7001C**  
REV.: X1   SCALE: 4:1   UNIT: mm  
SIZE: A4   SHEET: 1/1