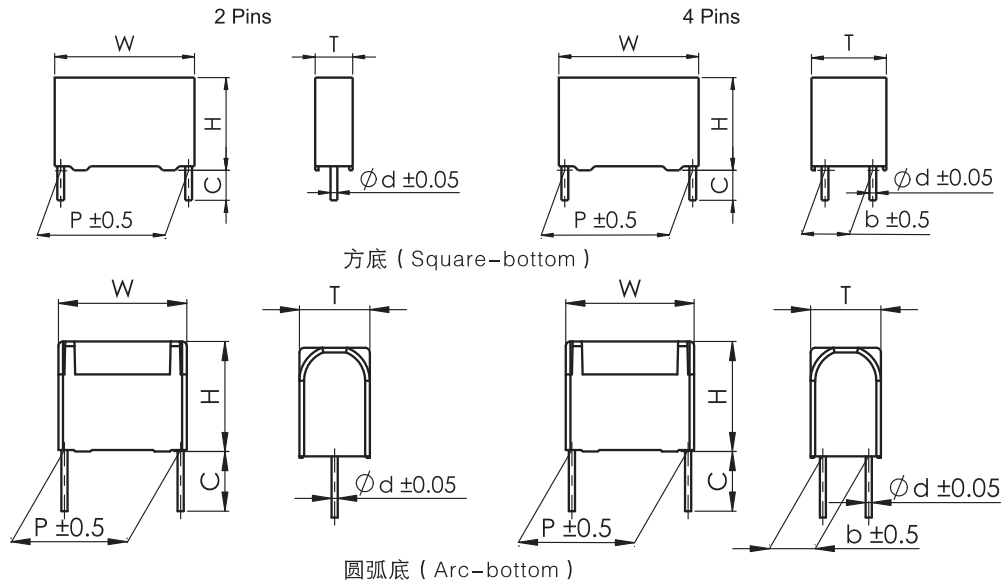


## PCB用DC-Link电容器 DC-Link Capacitor for PCB

### ■ 外形图 Outline Drawing





### ■ 特点

- 金属化聚丙烯膜结构
- 良好的电气性能
- 塑料外壳封装(UL94 V-0), 树脂填充
- 高性能直流滤波应用场合  
(如: 变频器、工业和高端电源、太阳能逆变器等)

### ■ Features

- Metallized polypropylene film structure
- Excellent electric property
- Plastic case (UL94 V-0), filled with resin
- High performance DC filtering applications  
(i.e. transducers, industrial and high-end power supplies and solar inverters)

### ■ 安全认证 Safety Approvals

|   |   |                          |  |
|---|---|--------------------------|--|
| ● |  | TUV<br>Rheinland<br>(德国) | EN 61071:2007, EN 61881-1: 2011, 450Vdc ~ 3200Vdc, 0.56µF~220µF, -40°C/85°C,<br>证书号(Certificate No.): R 50266108 |
| ● |  | UL(美国)                   | UL 810(constrution only),max 5000Vdc,90 C<br>证书号(File No.): E256238, CCN:CZDS2                                   |

### ■ 技术要求 Specifications

|  |  |
|--|--|
| 引用标准   | GB/T 17702 ( IEC 61071 )   |
| 气候类别<br>Climatic Category                                  | 40/85/56   |
| 工作温度 (外壳)<br>Operating temperature ( case )                | -40°C ~105°C<br>(+85°C to +105°C : decreasing factor 1.35% per °C for $U_{N,85°C}$ ) |
| 额定电压 $U_{N,85°C}$  | 500Vdc,600Vdc,800Vdc,900Vdc,1 000Vdc,1 100Vdc,1 200Vdc                               |
| 容量偏差<br>Capacitance Tolerance                              | J ( ± 5% ), K ( ± 10% )  |
| 耐电压<br>Voltage Proof                                       | 1.5 $U_N$ (10s)  |
| 绝缘电阻<br>Insulation Resistance ( $IR \times C_N$ )          | $\geq 10\ 000s$ (20°C ,100Vdc,1min)  |
| 自感 ( $L_s$ )<br>Self Inductance( $L_s$ )                   | < 1nH per mm of lead spacing   |
| 最大峰值电流 $\hat{I}$ (A)<br>Maximum peak current $\hat{I}$ (A) | $\hat{I} = C \cdot dV/dt$  |
| 预期寿命<br>Expected lifetime                                  | 100 000h @ $U_N$ · $\Theta_{hs}=70^\circ C$  |



# C3D

## 产品编码说明 Part number code system

■ 18位产品代码如下：

**The 15 digits part number is formed as follow:**

|   |   |   |   |   |   |   |   |   |    |    |    |    |    |    |    |    |    |
|---|---|---|---|---|---|---|---|---|----|----|----|----|----|----|----|----|----|
| 1 | 2 | 3 | 4 | 5 | 6 | 7 | 8 | 9 | 10 | 11 | 12 | 13 | 14 | 15 | 16 | 17 | 18 |
| C | 3 | D |   |   |   |   |   |   |    |    |    |    |    |    |    |    |    |

|         |  |                |  |
|---------|--|----------------|--|
| 第1~3位   | 型号代码<br>C3D  | Digit 1 to 3   | Series code<br>C3D   |
| 第4~5位   | 直流额定电压<br>2H=500V 1U=600V 2K=800V 1X=900V<br>3A=1 000V 1M=1 100V 3L=1 200V | Digit 4 to 5   | D.C. rated voltage<br>2H=500V 1U=600V 2K=800V 1X=900V<br>3A=1 000V 1M=1 100V 3L=1 200V |
| 第6~8位   | 标称容量<br>举例: 105=10 × 10 <sup>5</sup> pF= 1.0μF                             | Digit 6 to 8   | Rated capacitance value<br>For example : 105=10 × 10 <sup>5</sup> pF= 1.0μF            |
| 第9位     | 容量等级<br>J= ± 5%,K= ± 10%   | Digit 9        | Capacitance tolerance<br>J= ± 5%,K= ± 10%  |
| 第10位    | 引线间距P<br>B=27.5 mm C=30.0mm<br>F=37.5 mm M=52.5 mm                         | Digit10        | Pitch<br>B=27.5 mm C=30.0mm<br>F=37.5 mm M=52.5 mm                                     |
| 第11位    | 内部特征码  | Digit11        | Internal use   |
| 第12~15位 | 引线加工和包装代码  | Digit 12 to 15 | Lead form and packaging code   |
| 第16~18位 | 内部特征码  | Digit 16 to 18 | Internal use   |

■ **Table 1 引线加工和包装代码 lead form and packaging code**

| 第 12 位 Digit 12 |                                    | 第 13 和第 14 位 Digit 13 and Digit 14 |  | 第 15 位 Digit 15 |  |
|-----------------|------------------------------------|------------------------------------|--|-----------------|--|
| 代码 Code         | 说明 explanation                     | 代码 Code                            | 说明 explanation                             | 代码 Code         | 说明 explanation                           |
| 0               | 2 引线散装<br>Two pins(bulk)           | C0<br><br>38                       | 标准引线长度 5.5mm<br>standard lead length 5.5mm | 0               | 引线长度偏差 ±1.0mm<br>Length tolerance ±1.0mm |
| 1               | 4 引线散装 four pins(bulk)<br>b=10.0mm |                                    | 引线长度 3.8mm<br>lead length 3.8mm            | 2               | 引线长度偏差 ±0.5mm<br>Length tolerance ±0.5mm |
| 2               | 4 引线散装 four pins(bulk)<br>b=12.7mm |                                    |  |                 |  |
| 3               | 4 引线散装 four pins(bulk)<br>b=20.0mm |                                    |  |                 |  |
| 4               | 4 引线散装 four pins(bulk)<br>b=15.0mm |                                    |  |                 |  |
| A               | 4 引线散装 four pins(bulk)<br>b=20.3mm |                                    |  |                 |  |
| B               | 4 引线散装 four pins(bulk)<br>b=10.2mm |                                    |  |                 |  |
| C               | 4 引线散装 four pins(bulk)<br>b=5.1mm  |                                    |  |                 |  |
| D               | 4 引线散装 four pins(bulk)<br>b=15.2mm |                                    |  |                 |  |

**■ 技术参数 Technical data ( mm )**

| U <sub>N,85°C</sub> : 500Vdc |         |         |         |            |            |             |                 |                             |       |                        |                         |                    |
|------------------------------|---------|---------|---------|------------|------------|-------------|-----------------|-----------------------------|-------|------------------------|-------------------------|--------------------|
| C <sub>N</sub><br>(μF)       | W ± 1.0 | H ± 1.0 | T ± 1.0 | P<br>± 0.5 | b<br>± 0.5 | d<br>± 0.05 | dV/dt<br>(V/μs) | tan δ × (10 <sup>-4</sup> ) |       | ESR<br>@ 10kHz<br>(mΩ) | I <sub>max</sub><br>(A) | Part number        |
|                              |         |         |         |            |            |             |                 | 1kHz                        | 10kHz |                        |                         |                    |
| 5.0                          | 32.0    | 20.0    | 11.0    | 27.5       | -          | 0.8         | 65              | 10                          | 100   | 8.5                    | 5.0                     | C3D2H505+B00+++*** |
| 10.0                         | 32.0    | 24.5    | 15.0    | 27.5       | -          | 0.8         | 65              | 10                          | 100   | 7.5                    | 6.5                     | C3D2H106+B00+++*** |
| 22.0                         | 32.0    | 37.0    | 22.0    | 27.5       | -          | 0.8         | 65              | 10                          | 100   | 5.0                    | 10.0                    | C3D2H226+B00+++*** |
| 30.0                         | 42.0    | 40.0    | 20.0    | 37.5       | 10.2       | 1.0         | 30              | 15                          | 150   | 8.0                    | 12.5                    | C3D2H306+F0B+++*** |
| 35.0                         | 42.0    | 36.0    | 24.0    | 37.5       | 10.2       | 1.0         | 30              | 15                          | 150   | 8.0                    | 13.5                    | C3D2H356+F0B+++*** |
| 40.0                         | 41.5    | 37.5    | 27.5    | 37.5       | 10.2       | 1.0         | 30              | 15                          | 150   | 5.0                    | 14.5                    | C3D2H406+F0B+++*** |
| 50.0                         | 41.0    | 43.0    | 28.0    | 37.5       | 12.7       | 1.2         | 30              | 15                          | 150   | 4.0                    | 16.0                    | C3D2H506+F02+++*** |
| 50.0                         | 42.0    | 45.0    | 30.0    | 37.5       | 20.3       | 1.2         | 30              | 15                          | 150   | 4.0                    | 16.0                    | C3D2H506+F0A+++*** |
| 60.0                         | 42.0    | 45.0    | 30.0    | 37.5       | 20.3       | 1.2         | 30              | 15                          | 150   | 3.0                    | 16.5                    | C3D2H606+F0A+++*** |
| 75.0                         | 57.0    | 43.5    | 29.5    | 52.5       | 12.7       | 1.2         | 15              | 35                          | 350   | 5.5                    | 16.0                    | C3D2H756+M02+++*** |
| 75.0                         | 57.0    | 43.5    | 29.5    | 52.5       | 20.3       | 1.2         | 15              | 35                          | 350   | 5.5                    | 16.0                    | C3D2H756+M0A+++*** |
| 80.0                         | 57.0    | 43.5    | 29.5    | 52.5       | 20.3       | 1.2         | 15              | 35                          | 350   | 5.0                    | 16.5                    | C3D2H806+M0A+++*** |
| 100.0                        | 57.0    | 50.0    | 35.0    | 52.5       | 20.3       | 1.2         | 15              | 35                          | 350   | 4.0                    | 18.0                    | C3D2H107+M0A+++*** |
| 110.0                        | 57.0    | 50.0    | 35.0    | 52.5       | 20.3       | 1.2         | 15              | 35                          | 350   | 4.0                    | 19.0                    | C3D2H117+M0A+++*** |

| U <sub>N,85°C</sub> : 600Vdc |         |         |         |            |            |             |                 |                             |       |                        |                         |                    |
|------------------------------|---------|---------|---------|------------|------------|-------------|-----------------|-----------------------------|-------|------------------------|-------------------------|--------------------|
| C <sub>N</sub><br>(μF)       | W ± 1.0 | H ± 1.0 | T ± 1.0 | P<br>± 0.5 | b<br>± 0.5 | d<br>± 0.05 | dV/dt<br>(V/μs) | tan δ × (10 <sup>-4</sup> ) |       | ESR<br>@ 10kHz<br>(mΩ) | I <sub>max</sub><br>(A) | Part number        |
|                              |         |         |         |            |            |             |                 | 1kHz                        | 10kHz |                        |                         |                    |
| 2.0                          | 32.0    | 18.0    | 9.0     | 27.5       | -          | 0.8         | 65              | 11                          | 100   | 47.8                   | 2.8                     | C3D1U205+B00+++*** |
| 3.0                          | 32.0    | 20.0    | 11.0    | 27.5       | -          | 0.8         | 65              | 11                          | 100   | 31.8                   | 4.1                     | C3D1U305+B00+++*** |
| 4.0                          | 32.0    | 20.0    | 11.0    | 27.5       | -          | 0.8         | 65              | 11                          | 100   | 23.9                   | 5.5                     | C3D1U405+B00+++*** |
| 5.0                          | 32.0    | 22.0    | 13.0    | 27.5       | -          | 0.8         | 65              | 11                          | 100   | 19.1                   | 6.9                     | C3D1U505+B00+++*** |
| 6.0                          | 32.0    | 24.5    | 15.0    | 27.5       | -          | 0.8         | 65              | 11                          | 100   | 18.6                   | 7.1                     | C3D1U605+B00+++*** |
| 7.0                          | 32.0    | 24.5    | 15.0    | 27.5       | -          | 0.8         | 65              | 11                          | 100   | 15.9                   | 8.3                     | C3D1U705+B00+++*** |
| 8.0                          | 32.0    | 28.0    | 14.0    | 27.5       | -          | 0.8         | 65              | 11                          | 100   | 13.9                   | 9.5                     | C3D1U805+B00+++*** |
| 9.0                          | 32.0    | 30.0    | 16.0    | 27.5       | -          | 0.8         | 65              | 11                          | 100   | 12.4                   | 10.7                    | C3D1U905+B00+++*** |
| 10.0                         | 32.0    | 30.0    | 16.0    | 27.5       | -          | 0.8         | 65              | 11                          | 100   | 11.1                   | 11.0                    | C3D1U106+B00+++*** |
| 12.0                         | 32.0    | 33.0    | 18.0    | 27.5       | -          | 0.8         | 65              | 11                          | 100   | 10.8                   | 12.0                    | C3D1U126+B00+++*** |
| 15.0                         | 32.0    | 37.0    | 22.0    | 27.5       | -          | 0.8         | 65              | 11                          | 100   | 9.0                    | 12.0                    | C3D1U156+B00+++*** |
| 15.0                         | 32.0    | 37.0    | 22.0    | 27.5       | 10.2       | 0.8         | 65              | 11                          | 100   | 7.4                    | 16.5                    | C3D1U156+B0B+++*** |
| 18.0                         | 32.0    | 37.0    | 22.0    | 27.5       | -          | 0.8         | 65              | 11                          | 100   | 8.0                    | 12.0                    | C3D1U186+B00+++*** |
| 18.0                         | 32.0    | 37.0    | 22.0    | 27.5       | 12.7       | 0.8         | 65              | 11                          | 100   | 6.2                    | 17.0                    | C3D1U186+B02+++*** |
| 10.0                         | 41.0    | 30.0    | 16.0    | 37.5       | -          | 1.0         | 30              | 20                          | 175   | 19.5                   | 6.2                     | C3D1U106+F00+++*** |
| 12.0                         | 41.0    | 30.0    | 16.0    | 37.5       | -          | 1.0         | 30              | 20                          | 175   | 16.3                   | 7.4                     | C3D1U126+F00+++*** |
| 15.0                         | 41.0    | 33.5    | 18.5    | 37.5       | -          | 1.0         | 30              | 20                          | 175   | 13.0                   | 9.2                     | C3D1U156+F00+++*** |
| 20.0                         | 42.0    | 40.0    | 20.0    | 37.5       | 10.2       | 1.0         | 30              | 20                          | 175   | 9.8                    | 12.3                    | C3D1U206+F0B+++*** |
| 22.0                         | 42.0    | 40.0    | 20.0    | 37.5       | 10.2       | 1.0         | 30              | 20                          | 175   | 8.9                    | 13.5                    | C3D1U226+F0B+++*** |
| 25.0                         | 42.0    | 40.0    | 20.0    | 37.5       | 10.2       | 1.0         | 30              | 20                          | 175   | 7.8                    | 15.4                    | C3D1U256+F0B+++*** |
| 30.0                         | 42.0    | 44.0    | 24.0    | 37.5       | 12.7       | 1.0         | 30              | 20                          | 175   | 6.5                    | 18.5                    | C3D1U306+F02+++*** |
| 35.0                         | 42.0    | 45.0    | 30.0    | 37.5       | 12.7       | 1.2         | 30              | 20                          | 175   | 6.0                    | 20.1                    | C3D1U356+F02+++*** |
| 35.0                         | 42.0    | 45.0    | 30.0    | 37.5       | 20.3       | 1.2         | 30              | 20                          | 175   | 6.0                    | 20.1                    | C3D1U356+F0A+++*** |
| 40.0                         | 42.0    | 45.0    | 30.0    | 37.5       | 12.7       | 1.2         | 30              | 20                          | 175   | 5.2                    | 23.0                    | C3D1U406+F02+++*** |
| 40.0                         | 42.0    | 45.0    | 30.0    | 37.5       | 20.3       | 1.2         | 30              | 20                          | 175   | 5.2                    | 23.0                    | C3D1U406+F0A+++*** |



# C3D

## ■ 技术参数 Technical data ( mm )

| U <sub>N,85°C</sub> : 600Vdc |         |         |         |            |            |             |                 |                             |       |                       |                         |                    |
|------------------------------|---------|---------|---------|------------|------------|-------------|-----------------|-----------------------------|-------|-----------------------|-------------------------|--------------------|
| C <sub>N</sub><br>(μF)       | W ± 1.0 | H ± 1.0 | T ± 1.0 | P<br>± 0.5 | b<br>± 0.5 | d<br>± 0.05 | dV/dt<br>(V/μs) | tan δ × (10 <sup>-4</sup> ) |       | ESR<br>@10kHz<br>(mΩ) | I <sub>max</sub><br>(A) | Part number        |
|                              |         |         |         |            |            |             |                 | 1kHz                        | 10kHz |                       |                         |                    |
| 45.0                         | 42.0    | 50.0    | 35.0    | 37.5       | 12.7       | 1.2         | 30              | 20                          | 175   | 4.6                   | 25.8                    | C3D1U456+F02+++*** |
| 45.0                         | 42.0    | 50.0    | 35.0    | 37.5       | 20.3       | 1.2         | 30              | 20                          | 175   | 4.6                   | 25.8                    | C3D1U456+F0A+++*** |
| 50.0                         | 42.0    | 50.0    | 35.0    | 37.5       | 20.3       | 1.2         | 30              | 20                          | 175   | 4.2                   | 28.7                    | C3D1U506+F0A+++*** |
| ★ 50.0                       | 42.0    | 46.0    | 35.0    | 37.5       | 20.3       | 1.2         | 30              | 20                          | 175   | 4.2                   | 28.7                    | C3D1U506+FAA+++*** |
| 55.0                         | 42.0    | 50.0    | 35.0    | 37.5       | 20.3       | 1.2         | 30              | 20                          | 175   | 3.8                   | 31.6                    | C3D1U556+F0A+++*** |
| 60.0                         | 42.0    | 55.0    | 40.0    | 37.5       | 20.3       | 1.2         | 30              | 20                          | 175   | 3.5                   | 34.5                    | C3D1U606+F0A+++*** |
| 65.0                         | 42.0    | 55.0    | 40.0    | 37.5       | 20.3       | 1.2         | 30              | 20                          | 175   | 3.2                   | 35.0                    | C3D1U656+F0A+++*** |
| 70.0                         | 42.0    | 55.0    | 40.0    | 37.5       | 20.3       | 1.2         | 30              | 20                          | 175   | 3.0                   | 35.0                    | C3D1U706+F0A+++*** |
| 75.0                         | 42.0    | 60.0    | 45.0    | 37.5       | 20.3       | 1.2         | 30              | 20                          | 175   | 2.8                   | 35.0                    | C3D1U756+F0A+++*** |
| 80.0                         | 42.0    | 60.0    | 45.0    | 37.5       | 20.3       | 1.2         | 30              | 20                          | 175   | 2.6                   | 35.0                    | C3D1U806+F0A+++*** |
| 85.0                         | 42.0    | 60.0    | 45.0    | 37.5       | 20.3       | 1.2         | 30              | 20                          | 175   | 2.5                   | 35.0                    | C3D1U856+F0A+++*** |
| 40.0                         | 57.0    | 45.0    | 25.0    | 52.5       | 12.7       | 1.2         | 15              | 36                          | 350   | 9.8                   | 12.3                    | C3D1U406+M02+++*** |
| 45.0                         | 57.0    | 45.0    | 25.0    | 52.5       | 12.7       | 1.2         | 15              | 36                          | 350   | 8.7                   | 13.8                    | C3D1U456+M02+++*** |
| 50.0                         | 57.0    | 45.0    | 25.0    | 52.5       | 12.7       | 1.2         | 15              | 36                          | 350   | 7.8                   | 15.4                    | C3D1U506+M02+++*** |
| 55.0                         | 57.0    | 43.5    | 29.5    | 52.5       | 12.7       | 1.2         | 15              | 36                          | 350   | 7.1                   | 16.9                    | C3D1U556+M02+++*** |
| 55.0                         | 57.0    | 43.5    | 29.5    | 52.5       | 20.3       | 1.2         | 15              | 36                          | 350   | 7.1                   | 16.9                    | C3D1U556+M0A+++*** |
| 60.0                         | 57.0    | 43.5    | 29.5    | 52.5       | 12.7       | 1.2         | 15              | 36                          | 350   | 6.5                   | 18.5                    | C3D1U606+M02+++*** |
| 60.0                         | 57.0    | 43.5    | 29.5    | 52.5       | 20.3       | 1.2         | 15              | 36                          | 350   | 6.5                   | 18.5                    | C3D1U606+M0A+++*** |
| 65.0                         | 57.0    | 50.0    | 35.0    | 52.5       | 12.7       | 1.2         | 15              | 36                          | 350   | 6.0                   | 20.0                    | C3D1U656+M02+++*** |
| 65.0                         | 57.0    | 50.0    | 35.0    | 52.5       | 20.3       | 1.2         | 15              | 36                          | 350   | 6.0                   | 20.0                    | C3D1U656+M0A+++*** |
| 70.0                         | 57.0    | 50.0    | 35.0    | 52.5       | 20.3       | 1.2         | 15              | 36                          | 350   | 5.6                   | 21.5                    | C3D1U706+M0A+++*** |
| 75.0                         | 57.0    | 50.0    | 35.0    | 52.5       | 20.3       | 1.2         | 15              | 36                          | 350   | 5.2                   | 23.1                    | C3D1U756+M0A+++*** |
| 80.0                         | 57.0    | 50.0    | 35.0    | 52.5       | 20.3       | 1.2         | 15              | 36                          | 350   | 4.9                   | 24.6                    | C3D1U806+M0A+++*** |
| 85.0                         | 57.0    | 55.0    | 45.0    | 52.5       | 20.3       | 1.2         | 15              | 36                          | 350   | 4.8                   | 25.1                    | C3D1U856+M0A+++*** |
| 90.0                         | 57.0    | 55.0    | 45.0    | 52.5       | 20.3       | 1.2         | 15              | 36                          | 350   | 4.6                   | 25.8                    | C3D1U906+M0A+++*** |
| 95.0                         | 57.0    | 55.0    | 45.0    | 52.5       | 20.3       | 1.2         | 15              | 36                          | 350   | 4.4                   | 27.3                    | C3D1U956+M0A+++*** |
| 100.0                        | 57.0    | 55.0    | 45.0    | 52.5       | 20.3       | 1.2         | 15              | 36                          | 350   | 4.2                   | 28.7                    | C3D1U107+M0A+++*** |
| 110.0                        | 57.0    | 55.0    | 45.0    | 52.5       | 20.3       | 1.2         | 15              | 36                          | 350   | 3.8                   | 31.6                    | C3D1U117+M0A+++*** |
| 120.0                        | 57.0    | 65.0    | 45.0    | 52.5       | 20.3       | 1.2         | 15              | 36                          | 350   | 3.5                   | 34.5                    | C3D1U127+M0A+++*** |
| 130.0                        | 57.0    | 65.0    | 45.0    | 52.5       | 20.3       | 1.2         | 15              | 36                          | 350   | 3.2                   | 35.0                    | C3D1U137+M0A+++*** |
| 140.0                        | 57.0    | 65.0    | 45.0    | 52.5       | 20.3       | 1.2         | 15              | 36                          | 350   | 3.0                   | 35.0                    | C3D1U147+M0A+++*** |

| U <sub>N,85°C</sub> : 800Vdc |         |         |         |            |            |             |                 |                             |       |                       |                         |                    |
|------------------------------|---------|---------|---------|------------|------------|-------------|-----------------|-----------------------------|-------|-----------------------|-------------------------|--------------------|
| C <sub>N</sub><br>(μF)       | W ± 1.0 | H ± 1.0 | T ± 1.0 | P<br>± 0.5 | b<br>± 0.5 | d<br>± 0.05 | dV/dt<br>(V/μs) | tan δ × (10 <sup>-4</sup> ) |       | ESR<br>@10kHz<br>(mΩ) | I <sub>max</sub><br>(A) | Part number        |
|                              |         |         |         |            |            |             |                 | 1kHz                        | 10kHz |                       |                         |                    |
| 2.0                          | 32.0    | 18.0    | 9.0     | 27.5       | -          | 0.8         | 65              | 10                          | 95    | 45.4                  | 2.9                     | C3D2K205+B00+++*** |
| 3.0                          | 32.0    | 20.0    | 11.0    | 27.5       | -          | 0.8         | 65              | 10                          | 95    | 30.3                  | 4.4                     | C3D2K305+B00+++*** |
| 3.3                          | 32.0    | 30.0    | 16.0    | 27.5       | -          | 0.8         | 65              | 10                          | 95    | 18.8                  | 7.0                     | C3D2K335+B00+++*** |
| 4.0                          | 32.0    | 25.0    | 13.0    | 27.5       | -          | 0.8         | 65              | 10                          | 95    | 22.7                  | 5.8                     | C3D2K405+B00+++*** |
| 5.0                          | 32.0    | 24.5    | 15.0    | 27.5       | -          | 0.8         | 65              | 10                          | 95    | 18.2                  | 7.3                     | C3D2K505+B00+++*** |
| 6.0                          | 32.0    | 30.0    | 16.0    | 27.5       | -          | 0.8         | 65              | 10                          | 95    | 15.1                  | 8.7                     | C3D2K605+B00+++*** |
| 7.0                          | 32.0    | 30.0    | 16.0    | 27.5       | -          | 0.8         | 65              | 10                          | 95    | 13.0                  | 10.2                    | C3D2K705+B00+++*** |
| 8.0                          | 32.0    | 33.0    | 18.0    | 27.5       | -          | 0.8         | 65              | 10                          | 95    | 12.5                  | 10.5                    | C3D2K805+B00+++*** |
| 9.0                          | 32.0    | 33.0    | 18.0    | 27.5       | -          | 0.8         | 65              | 10                          | 95    | 11.1                  | 11.8                    | C3D2K905+B00+++*** |
| 10.0                         | 32.0    | 37.0    | 22.0    | 27.5       | -          | 0.8         | 65              | 10                          | 95    | 11.0                  | 12.0                    | C3D2K106+B00+++*** |

**■ 技术参数 Technical data ( mm )**

| U <sub>N,85°C</sub> : 800Vdc |         |         |         |            |            |             |                 |                             |       |                       |                         |                    |
|------------------------------|---------|---------|---------|------------|------------|-------------|-----------------|-----------------------------|-------|-----------------------|-------------------------|--------------------|
| C <sub>N</sub><br>(μF)       | W ± 1.0 | H ± 1.0 | T ± 1.0 | P<br>± 0.5 | b<br>± 0.5 | d<br>± 0.05 | dV/dt<br>(V/μs) | tan δ × (10 <sup>-4</sup> ) |       | ESR<br>@10kHz<br>(mΩ) | I <sub>max</sub><br>(A) | Part number        |
|                              |         |         |         |            |            |             |                 | 1kHz                        | 10kHz |                       |                         |                    |
| 10.0                         | 32.0    | 37.0    | 22.0    | 27.5       | 10.2       | 0.8         | 65              | 10                          | 95    | 9.1                   | 14.5                    | C3D2K106+B0B+++*** |
| 11.0                         | 32.0    | 37.0    | 22.0    | 27.5       | -          | 0.8         | 65              | 10                          | 95    | 10.0                  | 12.0                    | C3D2K116+B00+++*** |
| 11.0                         | 32.0    | 37.0    | 22.0    | 27.5       | 10.2       | 0.8         | 65              | 10                          | 95    | 8.3                   | 16.0                    | C3D2K116+B0B+++*** |
| 12.0                         | 32.0    | 37.0    | 22.0    | 27.5       | -          | 0.8         | 65              | 10                          | 95    | 9.3                   | 12.0                    | C3D2K126+B00+++*** |
| 12.0                         | 32.0    | 37.0    | 22.0    | 27.5       | 10.2       | 0.8         | 65              | 10                          | 95    | 7.6                   | 16.0                    | C3D2K126+B0B+++*** |
| 13.0                         | 32.0    | 37.0    | 22.0    | 27.5       | -          | 0.8         | 65              | 10                          | 95    | 8.8                   | 12.0                    | C3D2K136+B00+++*** |
| 13.0                         | 32.0    | 37.0    | 22.0    | 27.5       | 12.7       | 0.8         | 65              | 10                          | 95    | 8.1                   | 16.2                    | C3D2K136+B02+++*** |
| 14.0                         | 32.0    | 37.0    | 22.0    | 27.5       | -          | 0.8         | 65              | 10                          | 95    | 8.2                   | 12.0                    | C3D2K146+B00+++*** |
| 14.0                         | 32.0    | 37.0    | 22.0    | 27.5       | 12.7       | 0.8         | 65              | 10                          | 95    | 7.6                   | 16.5                    | C3D2K146+B02+++*** |
| 8.0                          | 41.0    | 30.0    | 16.0    | 37.5       | -          | 1.0         | 30              | 18                          | 160   | 22.3                  | 5.4                     | C3D2K805+F00+++*** |
| 9.0                          | 41.0    | 30.0    | 16.0    | 37.5       | -          | 1.0         | 30              | 18                          | 160   | 19.8                  | 6.1                     | C3D2K905+F00+++*** |
| 10.0                         | 41.0    | 33.5    | 18.5    | 37.5       | -          | 1.0         | 30              | 18                          | 160   | 17.8                  | 6.7                     | C3D2K106+F00+++*** |
| 12.0                         | 41.0    | 33.5    | 18.5    | 37.5       | -          | 1.0         | 30              | 18                          | 160   | 14.9                  | 8.1                     | C3D2K126+F00+++*** |
| 15.0                         | 42.0    | 40.0    | 20.0    | 37.5       | 10.2       | 1.0         | 30              | 18                          | 160   | 11.9                  | 10.1                    | C3D2K156+F0B+++*** |
| 20.0                         | 42.0    | 44.0    | 24.0    | 37.5       | 12.7       | 1.0         | 30              | 18                          | 160   | 8.9                   | 13.5                    | C3D2K206+F02+++*** |
| 25.0                         | 42.0    | 44.0    | 24.0    | 37.5       | 12.7       | 1.0         | 30              | 18                          | 160   | 7.1                   | 16.8                    | C3D2K256+F02+++*** |
| 30.0                         | 42.0    | 45.0    | 30.0    | 37.5       | 12.7       | 1.2         | 30              | 18                          | 160   | 5.9                   | 20.2                    | C3D2K306+F02+++*** |
| 30.0                         | 42.0    | 45.0    | 30.0    | 37.5       | 20.3       | 1.2         | 30              | 18                          | 160   | 5.9                   | 20.2                    | C3D2K306+F0A+++*** |
| 35.0                         | 42.0    | 50.0    | 35.0    | 37.5       | 20.3       | 1.2         | 30              | 18                          | 160   | 5.5                   | 22.0                    | C3D2K356+F0A+++*** |
| 40.0                         | 42.0    | 50.0    | 35.0    | 37.5       | 20.3       | 1.2         | 30              | 18                          | 160   | 4.8                   | 25.1                    | C3D2K406+F0A+++*** |
| 45.0                         | 42.0    | 55.0    | 40.0    | 37.5       | 20.3       | 1.2         | 30              | 18                          | 160   | 4.2                   | 28.3                    | C3D2K456+F0A+++*** |
| 50.0                         | 42.0    | 55.0    | 40.0    | 37.5       | 20.3       | 1.2         | 30              | 18                          | 160   | 3.8                   | 31.4                    | C3D2K506+F0A+++*** |
| 55.0                         | 42.0    | 60.0    | 45.0    | 37.5       | 20.3       | 1.2         | 30              | 18                          | 160   | 3.5                   | 34.5                    | C3D2K556+F0A+++*** |
| ★ 60.0                       | 42.0    | 60.0    | 45.0    | 37.5       | 20.3       | 1.2         | 30              | 18                          | 160   | 3.2                   | 35.0                    | C3D2K606+F0A+++*** |
| ★ 65.0                       | 42.0    | 60.0    | 45.0    | 37.5       | 20.3       | 1.2         | 30              | 18                          | 160   | 2.9                   | 35.0                    | C3D2K656+F0A+++*** |
| 25.0                         | 57.0    | 45.0    | 25.0    | 52.5       | 12.7       | 1.2         | 15              | 33                          | 320   | 14.3                  | 8.4                     | C3D2K256+M02+++*** |
| 30.0                         | 57.0    | 45.0    | 25.0    | 52.5       | 12.7       | 1.2         | 15              | 33                          | 320   | 11.9                  | 10.1                    | C3D2K306+M02+++*** |
| ★ 35.0                       | 57.0    | 45.0    | 25.0    | 52.5       | 12.7       | 1.2         | 15              | 33                          | 320   | 10.2                  | 11.8                    | C3D2K356+M02+++*** |
| 40.0                         | 57.0    | 43.5    | 29.5    | 52.5       | 12.7       | 1.2         | 15              | 33                          | 320   | 8.9                   | 13.5                    | C3D2K406+M02+++*** |
| 40.0                         | 57.0    | 43.5    | 29.5    | 52.5       | 20.3       | 1.2         | 15              | 33                          | 320   | 8.9                   | 13.5                    | C3D2K406+M0A+++*** |
| 45.0                         | 57.0    | 43.5    | 29.5    | 52.5       | 12.7       | 1.2         | 15              | 33                          | 320   | 7.9                   | 15.1                    | C3D2K456+M02+++*** |
| 45.0                         | 57.0    | 43.5    | 29.5    | 52.5       | 20.3       | 1.2         | 15              | 33                          | 320   | 7.9                   | 15.1                    | C3D2K456+M0A+++*** |
| 50.0                         | 57.0    | 50.0    | 35.0    | 52.5       | 12.7       | 1.2         | 15              | 33                          | 320   | 7.1                   | 16.8                    | C3D2K506+M02+++*** |
| 50.0                         | 57.0    | 50.0    | 35.0    | 52.5       | 20.3       | 1.2         | 15              | 33                          | 320   | 7.1                   | 16.8                    | C3D2K506+M0A+++*** |
| 55.0                         | 57.0    | 50.0    | 35.0    | 52.5       | 20.3       | 1.2         | 15              | 33                          | 320   | 6.5                   | 18.5                    | C3D2K556+M0A+++*** |
| 60.0                         | 57.0    | 50.0    | 35.0    | 52.5       | 20.3       | 1.2         | 15              | 33                          | 320   | 5.9                   | 20.2                    | C3D2K606+M0A+++*** |
| 65.0                         | 57.0    | 55.0    | 45.0    | 52.5       | 20.3       | 1.2         | 15              | 33                          | 320   | 5.5                   | 21.9                    | C3D2K656+M0A+++*** |
| 70.0                         | 57.0    | 55.0    | 45.0    | 52.5       | 20.3       | 1.2         | 15              | 33                          | 320   | 5.1                   | 23.6                    | C3D2K706+M0A+++*** |
| 75.0                         | 57.0    | 55.0    | 45.0    | 52.5       | 20.3       | 1.2         | 15              | 33                          | 320   | 4.8                   | 25.2                    | C3D2K756+M0A+++*** |
| 80.0                         | 57.0    | 55.0    | 45.0    | 52.5       | 20.3       | 1.2         | 15              | 33                          | 320   | 4.6                   | 25.9                    | C3D2K806+M0A+++*** |
| 85.0                         | 57.0    | 55.0    | 45.0    | 52.5       | 20.3       | 1.2         | 15              | 33                          | 320   | 4.5                   | 26.7                    | C3D2K856+M0A+++*** |
| 90.0                         | 57.0    | 55.0    | 45.0    | 52.5       | 20.3       | 1.2         | 15              | 33                          | 320   | 4.2                   | 28.3                    | C3D2K906+M0A+++*** |
| 95.0                         | 57.0    | 65.0    | 45.0    | 52.5       | 20.3       | 1.2         | 15              | 33                          | 320   | 4.0                   | 29.8                    | C3D2K956+M0A+++*** |
| 100.0                        | 57.0    | 65.0    | 45.0    | 52.5       | 20.3       | 1.2         | 15              | 33                          | 320   | 3.8                   | 31.4                    | C3D2K107+M0A+++*** |
| 110.0                        | 57.0    | 65.0    | 45.0    | 52.5       | 20.3       | 1.2         | 15              | 33                          | 320   | 3.5                   | 34.5                    | C3D2K117+M0A+++*** |



# C3D

## ■ 技术参数 Technical data ( mm )

| U <sub>N,85°C</sub> : 900Vdc |         |         |         |            |            |             |                 |                             |       |                       |                         |                    |
|------------------------------|---------|---------|---------|------------|------------|-------------|-----------------|-----------------------------|-------|-----------------------|-------------------------|--------------------|
| C <sub>N</sub><br>(μF)       | W ± 1.0 | H ± 1.0 | T ± 1.0 | P<br>± 0.5 | b<br>± 0.5 | d<br>± 0.05 | dV/dt<br>(V/μs) | tan δ × (10 <sup>-4</sup> ) |       | ESR<br>@10kHz<br>(mΩ) | I <sub>max</sub><br>(A) | Part number        |
|                              |         |         |         |            |            |             |                 | 1kHz                        | 10kHz |                       |                         |                    |
| 1.0                          | 32.0    | 18.0    | 9.0     | 27.5       | -          | 0.8         | 70              | 9                           | 90    | 86.0                  | 1.5                     | C3D1X105+B00+++*** |
| 2.0                          | 32.0    | 20.0    | 11.0    | 27.5       | -          | 0.8         | 70              | 9                           | 90    | 43.0                  | 3.1                     | C3D1X205+B00+++*** |
| 3.0                          | 32.0    | 22.0    | 13.0    | 27.5       | -          | 0.8         | 70              | 9                           | 90    | 28.7                  | 4.6                     | C3D1X305+B00+++*** |
| 4.0                          | 32.0    | 24.5    | 15.0    | 27.5       | -          | 0.8         | 70              | 9                           | 90    | 21.5                  | 6.1                     | C3D1X405+B00+++*** |
| 5.0                          | 32.0    | 30.0    | 16.0    | 27.5       | -          | 0.8         | 70              | 9                           | 90    | 17.2                  | 7.7                     | C3D1X505+B00+++*** |
| 6.0                          | 32.0    | 33.0    | 18.0    | 27.5       | -          | 0.8         | 70              | 9                           | 90    | 18.0                  | 6.9                     | C3D1X605+B00+++*** |
| 7.0                          | 32.0    | 33.0    | 18.0    | 27.5       | -          | 0.8         | 70              | 9                           | 90    | 13.0                  | 10.2                    | C3D1X705+B00+++*** |
| 8.0                          | 32.0    | 37.0    | 22.0    | 27.5       | -          | 0.8         | 70              | 9                           | 90    | 11.5                  | 11.4                    | C3D1X805+B00+++*** |
| 8.0                          | 32.0    | 37.0    | 22.0    | 27.5       | 10.2       | 0.8         | 70              | 9                           | 90    | 10.7                  | 12.3                    | C3D1X805+B0B+++*** |
| 9.0                          | 32.0    | 37.0    | 22.0    | 27.5       | -          | 0.8         | 70              | 9                           | 90    | 10.4                  | 12.0                    | C3D1X905+B00+++*** |
| 9.0                          | 32.0    | 37.0    | 22.0    | 27.5       | 12.7       | 0.8         | 70              | 9                           | 90    | 9.6                   | 13.8                    | C3D1X905+B02+++*** |
| 10.0                         | 32.0    | 37.0    | 22.0    | 27.5       | -          | 0.8         | 70              | 9                           | 90    | 12.0                  | 12.2                    | C3D1X106+B00+++*** |
| 10.0                         | 32.0    | 37.0    | 22.0    | 27.5       | 12.7       | 0.8         | 70              | 9                           | 90    | 8.6                   | 15.4                    | C3D1X106+B02+++*** |
| 4.7                          | 41.0    | 26.0    | 15.0    | 37.5       | -          | 1.0         | 35              | 17                          | 150   | 35.6                  | 3.4                     | C3D1X475+F00+++*** |
| 5.0                          | 41.0    | 30.0    | 16.0    | 37.5       | -          | 1.0         | 35              | 17                          | 150   | 33.4                  | 3.6                     | C3D1X505+F00+++*** |
| 6.0                          | 41.0    | 30.0    | 16.0    | 37.5       | -          | 1.0         | 35              | 17                          | 150   | 27.9                  | 4.3                     | C3D1X605+F00+++*** |
| 7.0                          | 41.0    | 30.0    | 16.0    | 37.5       | -          | 1.0         | 35              | 17                          | 150   | 23.9                  | 5.0                     | C3D1X705+F00+++*** |
| 8.0                          | 41.0    | 33.0    | 18.0    | 37.5       | -          | 1.0         | 35              | 17                          | 150   | 20.9                  | 5.7                     | C3D1X805+F00+++*** |
| 10.0                         | 42.0    | 40.0    | 20.0    | 37.5       | 10.2       | 1.0         | 35              | 17                          | 150   | 16.7                  | 7.2                     | C3D1X106+F0B+++*** |
| 12.0                         | 41.0    | 37.0    | 22.0    | 37.5       | 10.2       | 1.0         | 35              | 17                          | 150   | 13.9                  | 8.6                     | C3D1X126+F0B+++*** |
| 15.0                         | 42.0    | 44.0    | 24.0    | 37.5       | 12.7       | 1.0         | 35              | 17                          | 150   | 11.1                  | 10.8                    | C3D1X156+F02+++*** |
| 18.0                         | 42.0    | 44.0    | 24.0    | 37.5       | 12.7       | 1.0         | 35              | 17                          | 150   | 9.3                   | 12.9                    | C3D1X186+F02+++*** |
| 20.0                         | 42.0    | 44.0    | 24.0    | 37.5       | 12.7       | 1.0         | 35              | 17                          | 150   | 8.4                   | 14.4                    | C3D1X206+F02+++*** |
| 25.0                         | 42.0    | 45.0    | 30.0    | 37.5       | 12.7       | 1.2         | 35              | 17                          | 150   | 6.7                   | 17.9                    | C3D1X256+F02+++*** |
| 25.0                         | 42.0    | 45.0    | 30.0    | 37.5       | 20.3       | 1.2         | 35              | 17                          | 150   | 6.7                   | 17.9                    | C3D1X256+F0A+++*** |
| 30.0                         | 42.0    | 50.0    | 35.0    | 37.5       | 20.3       | 1.2         | 35              | 17                          | 150   | 5.6                   | 21.5                    | C3D1X306+F0A+++*** |
| 35.0                         | 42.0    | 55.0    | 40.0    | 37.5       | 20.3       | 1.2         | 35              | 17                          | 150   | 5.1                   | 23.4                    | C3D1X356+F0A+++*** |
| 40.0                         | 42.0    | 55.0    | 40.0    | 37.5       | 20.3       | 1.2         | 35              | 17                          | 150   | 4.5                   | 26.8                    | C3D1X406+F0A+++*** |
| 45.0                         | 42.0    | 60.0    | 45.0    | 37.5       | 20.3       | 1.2         | 35              | 17                          | 150   | 4.0                   | 30.1                    | C3D1X456+F0A+++*** |
| 50.0                         | 42.0    | 60.0    | 45.0    | 37.5       | 20.3       | 1.2         | 35              | 17                          | 150   | 3.6                   | 33.5                    | C3D1X506+F0A+++*** |
| 15.0                         | 57.0    | 45.0    | 25.0    | 52.5       | 10.2       | 1.2         | 15              | 31                          | 300   | 22.3                  | 5.4                     | C3D1X156+M0B+++*** |
| 20.0                         | 57.0    | 45.0    | 25.0    | 52.5       | 12.7       | 1.2         | 15              | 31                          | 300   | 16.7                  | 7.2                     | C3D1X206+M02+++*** |
| 25.0                         | 57.0    | 45.0    | 25.0    | 52.5       | 12.7       | 1.2         | 15              | 31                          | 300   | 13.4                  | 9.0                     | C3D1X256+M02+++*** |
| 30.0                         | 57.0    | 43.5    | 29.5    | 52.5       | 12.7       | 1.2         | 15              | 31                          | 300   | 11.1                  | 10.8                    | C3D1X306+M02+++*** |
| 30.0                         | 57.0    | 43.5    | 29.5    | 52.5       | 20.3       | 1.2         | 15              | 31                          | 300   | 11.1                  | 10.8                    | C3D1X306+M0A+++*** |
| 35.0                         | 57.0    | 43.5    | 29.5    | 52.5       | 12.7       | 1.2         | 15              | 31                          | 300   | 9.6                   | 12.6                    | C3D1X356+M02+++*** |
| 35.0                         | 57.0    | 43.5    | 29.5    | 52.5       | 20.3       | 1.2         | 15              | 31                          | 300   | 9.6                   | 12.6                    | C3D1X356+M0A+++*** |
| 40.0                         | 57.0    | 50.0    | 35.0    | 52.5       | 20.3       | 1.2         | 15              | 31                          | 300   | 8.4                   | 14.4                    | C3D1X406+M0A+++*** |
| 45.0                         | 57.0    | 50.0    | 35.0    | 52.5       | 20.3       | 1.2         | 15              | 31                          | 300   | 7.4                   | 16.1                    | C3D1X456+M0A+++*** |
| 50.0                         | 57.0    | 50.0    | 35.0    | 52.5       | 20.3       | 1.2         | 15              | 31                          | 300   | 6.7                   | 17.9                    | C3D1X506+M0A+++*** |
| 55.0                         | 57.0    | 55.0    | 45.0    | 52.5       | 20.3       | 1.2         | 15              | 31                          | 300   | 6.1                   | 19.7                    | C3D1X556+M0A+++*** |
| 60.0                         | 57.0    | 55.0    | 45.0    | 52.5       | 20.3       | 1.2         | 15              | 31                          | 300   | 5.6                   | 21.5                    | C3D1X606+M0A+++*** |
| 65.0                         | 57.0    | 55.0    | 45.0    | 52.5       | 20.3       | 1.2         | 15              | 31                          | 300   | 5.1                   | 23.3                    | C3D1X656+M0A+++*** |
| 70.0                         | 57.0    | 65.0    | 45.0    | 52.5       | 20.3       | 1.2         | 15              | 31                          | 300   | 4.8                   | 25.1                    | C3D1X706+M0A+++*** |
| 75.0                         | 57.0    | 65.0    | 45.0    | 52.5       | 20.3       | 1.2         | 15              | 31                          | 300   | 4.7                   | 25.7                    | C3D1X756+M0A+++*** |
| 80.0                         | 57.0    | 65.0    | 45.0    | 52.5       | 20.3       | 1.2         | 15              | 31                          | 300   | 4.5                   | 26.8                    | C3D1X806+M0A+++*** |
| 85.0                         | 57.0    | 65.0    | 45.0    | 52.5       | 20.3       | 1.2         | 15              | 31                          | 300   | 4.2                   | 28.5                    | C3D1X856+M0A+++*** |



**■ 技术参数 Technical data ( mm )**

| U <sub>N,85°C</sub> : 1 000Vdc |         |         |         |            |            |             |                 |                             |       |                       |                         |                    |
|--------------------------------|---------|---------|---------|------------|------------|-------------|-----------------|-----------------------------|-------|-----------------------|-------------------------|--------------------|
| C <sub>N</sub><br>(μF)         | W ± 1.0 | H ± 1.0 | T ± 1.0 | P<br>± 0.5 | b<br>± 0.5 | d<br>± 0.05 | dV/dt<br>(V/μs) | tan δ × (10 <sup>-4</sup> ) |       | ESR<br>@10kHz<br>(mΩ) | I <sub>max</sub><br>(A) | Part number        |
|                                |         |         |         |            |            |             |                 | 1kHz                        | 10kHz |                       |                         |                    |
| 1.0                            | 32.0    | 18.0    | 9.0     | 27.5       | -          | 0.8         | 75              | 8                           | 80    | 76.4                  | 1.7                     | C3D3A105+B00+++*** |
| 2.0                            | 32.0    | 22.0    | 13.0    | 27.5       | -          | 0.8         | 75              | 8                           | 80    | 38.2                  | 3.5                     | C3D3A205+B00+++*** |
| 3.0                            | 32.0    | 24.5    | 15.0    | 27.5       | -          | 0.8         | 75              | 8                           | 80    | 25.5                  | 5.2                     | C3D3A305+B00+++*** |
| 4.0                            | 32.0    | 30.0    | 16.0    | 27.5       | -          | 0.8         | 75              | 8                           | 80    | 19.1                  | 6.9                     | C3D3A405+B00+++*** |
| 5.0                            | 32.0    | 33.0    | 18.0    | 27.5       | -          | 0.8         | 75              | 8                           | 80    | 15.3                  | 8.6                     | C3D3A505+B00+++*** |
| 6.0                            | 32.0    | 33.0    | 18.0    | 27.5       | -          | 0.8         | 75              | 8                           | 80    | 14.9                  | 8.9                     | C3D3A605+B00+++*** |
| 7.0                            | 32.0    | 37.0    | 22.0    | 27.5       | -          | 0.8         | 75              | 8                           | 80    | 14.5                  | 9.4                     | C3D3A705+B00+++*** |
| 7.0                            | 32.0    | 37.0    | 22.0    | 27.5       | 12.7       | 0.8         | 75              | 8                           | 80    | 11.4                  | 11.6                    | C3D3A705+B02+++*** |
| 8.0                            | 32.0    | 37.0    | 22.0    | 27.5       | -          | 0.8         | 75              | 8                           | 80    | 13.0                  | 10.8                    | C3D3A805+B00+++*** |
| 8.0                            | 32.0    | 37.0    | 22.0    | 27.5       | 12.7       | 0.8         | 75              | 8                           | 80    | 10.0                  | 13.3                    | C3D3A805+B02+++*** |
| 5.0                            | 41.0    | 30.0    | 16.0    | 37.5       | -          | 1.0         | 37              | 15                          | 140   | 31.2                  | 3.8                     | C3D3A505+F00+++*** |
| 6.0                            | 41.0    | 30.0    | 16.0    | 37.5       | -          | 1.0         | 37              | 15                          | 140   | 26.0                  | 4.6                     | C3D3A605+F00+++*** |
| 7.0                            | 41.0    | 33.0    | 18.0    | 37.5       | -          | 1.0         | 37              | 15                          | 140   | 22.3                  | 5.4                     | C3D3A705+F00+++*** |
| 8.0                            | 41.0    | 33.0    | 18.0    | 37.5       | -          | 1.0         | 37              | 15                          | 140   | 19.5                  | 6.2                     | C3D3A805+F00+++*** |
| 10.0                           | 42.0    | 40.0    | 20.0    | 37.5       | -          | 1.0         | 37              | 15                          | 140   | 15.6                  | 6.7                     | C3D3A106+F00+++*** |
| 10.0                           | 42.0    | 40.0    | 20.0    | 37.5       | 10.2       | 1.0         | 37              | 15                          | 140   | 15.6                  | 7.7                     | C3D3A106+F0B+++*** |
| 12.0                           | 41.0    | 37.0    | 22.0    | 37.5       | 12.7       | 1.0         | 37              | 15                          | 140   | 13.0                  | 9.2                     | C3D3A126+F02+++*** |
| 12.0                           | 41.0    | 37.0    | 22.0    | 37.5       | -          | 1.0         | 37              | 15                          | 140   | 15.0                  | 8.0                     | C3D3A126+F00+++*** |
| 15.0                           | 42.0    | 44.0    | 24.0    | 37.5       | 12.7       | 1.0         | 37              | 15                          | 140   | 10.4                  | 11.5                    | C3D3A156+F02+++*** |
| 18.0                           | 42.0    | 45.0    | 30.0    | 37.5       | 12.7       | 1.2         | 37              | 15                          | 140   | 8.7                   | 13.8                    | C3D3A186+F02+++*** |
| 18.0                           | 42.0    | 45.0    | 30.0    | 37.5       | 20.3       | 1.2         | 37              | 15                          | 140   | 8.7                   | 13.8                    | C3D3A186+F0A+++*** |
| 20.0                           | 42.0    | 45.0    | 30.0    | 37.5       | 12.7       | 1.2         | 37              | 15                          | 140   | 7.8                   | 15.4                    | C3D3A206+F02+++*** |
| 20.0                           | 42.0    | 45.0    | 30.0    | 37.5       | 20.3       | 1.2         | 37              | 15                          | 140   | 7.8                   | 15.4                    | C3D3A206+F0A+++*** |
| 25.0                           | 42.0    | 50.0    | 35.0    | 37.5       | 20.3       | 1.2         | 37              | 15                          | 140   | 6.2                   | 19.2                    | C3D3A256+F0A+++*** |
| 30.0                           | 42.0    | 55.0    | 40.0    | 37.5       | 20.3       | 1.2         | 37              | 15                          | 140   | 5.2                   | 23.1                    | C3D3A306+F0A+++*** |
| 35.0                           | 42.0    | 55.0    | 40.0    | 37.5       | 20.3       | 1.2         | 37              | 15                          | 140   | 4.8                   | 25.1                    | C3D3A356+F0A+++*** |
| 40.0                           | 42.0    | 60.0    | 45.0    | 37.5       | 20.3       | 1.2         | 37              | 15                          | 140   | 4.2                   | 28.7                    | C3D3A406+F0A+++*** |
| 15.0                           | 57.0    | 45.0    | 25.0    | 52.5       | 12.7       | 1.2         | 17              | 28                          | 280   | 20.8                  | 5.8                     | C3D3A156+M02+++*** |
| 20.0                           | 57.0    | 45.0    | 25.0    | 52.5       | 12.7       | 1.2         | 17              | 28                          | 280   | 15.6                  | 7.7                     | C3D3A206+M02+++*** |
| 25.0                           | 57.0    | 45.0    | 25.0    | 52.5       | 12.7       | 1.2         | 17              | 28                          | 280   | 12.5                  | 9.6                     | C3D3A256+M02+++*** |
| 30.0                           | 57.0    | 43.5    | 29.5    | 52.5       | 12.7       | 1.2         | 17              | 28                          | 280   | 10.4                  | 11.5                    | C3D3A306KM02+++*** |
| 30.0                           | 57.0    | 43.5    | 29.5    | 52.5       | 20.3       | 1.2         | 17              | 28                          | 280   | 10.4                  | 11.5                    | C3D3A306KM0A+++*** |
| 30.0                           | 57.0    | 45.0    | 30.0    | 52.5       | 12.7       | 1.2         | 17              | 28                          | 280   | 10.4                  | 11.5                    | C3D3A306JM02+++*** |
| 30.0                           | 57.0    | 45.0    | 30.0    | 52.5       | 20.3       | 1.2         | 17              | 28                          | 280   | 10.4                  | 11.5                    | C3D3A306JM0A+++*** |
| 35.0                           | 57.0    | 50.0    | 35.0    | 52.5       | 20.3       | 1.2         | 17              | 28                          | 280   | 8.9                   | 13.5                    | C3D3A356+M0A+++*** |
| 40.0                           | 57.0    | 50.0    | 35.0    | 52.5       | 20.3       | 1.2         | 17              | 28                          | 280   | 7.8                   | 15.4                    | C3D3A406+M0A+++*** |
| 45.0                           | 57.0    | 55.0    | 45.0    | 52.5       | 20.3       | 1.2         | 17              | 28                          | 280   | 6.9                   | 17.3                    | C3D3A456+M0A+++*** |
| 50.0                           | 57.0    | 55.0    | 45.0    | 52.5       | 20.3       | 1.2         | 17              | 28                          | 280   | 6.2                   | 19.2                    | C3D3A506+M0A+++*** |
| 55.0                           | 57.0    | 55.0    | 45.0    | 52.5       | 20.3       | 1.2         | 17              | 28                          | 280   | 5.7                   | 21.1                    | C3D3A556+M0A+++*** |
| 60.0                           | 57.0    | 65.0    | 45.0    | 52.5       | 20.3       | 1.2         | 17              | 28                          | 280   | 5.2                   | 23.1                    | C3D3A606+M0A+++*** |
| 65.0                           | 57.0    | 65.0    | 45.0    | 52.5       | 20.3       | 1.2         | 17              | 28                          | 280   | 4.8                   | 25.0                    | C3D3A656+M0A+++*** |
| 70.0                           | 57.0    | 65.0    | 45.0    | 52.5       | 20.3       | 1.2         | 17              | 28                          | 280   | 4.5                   | 26.9                    | C3D3A706+M0A+++*** |



# C3D

## ■ 技术参数 Technical data ( mm )

| U <sub>N,85°C</sub> : 1 100Vdc |         |         |         |            |            |             |                 |                             |       |                       |                         |                    |
|--------------------------------|---------|---------|---------|------------|------------|-------------|-----------------|-----------------------------|-------|-----------------------|-------------------------|--------------------|
| C <sub>N</sub><br>(μF)         | W ± 1.0 | H ± 1.0 | T ± 1.0 | P<br>± 0.5 | b<br>± 0.5 | d<br>± 0.05 | dV/dt<br>(V/μs) | tan δ × (10 <sup>-4</sup> ) |       | ESR<br>@10kHz<br>(mΩ) | I <sub>max</sub><br>(A) | Part number        |
|                                |         |         |         |            |            |             |                 | 1kHz                        | 10kHz |                       |                         |                    |
| 0.68                           | 32.0    | 20.0    | 11.0    | 27.5       | -          | 0.8         | 80              | 8                           | 70    | 80.0                  | 1.7                     | C3D1M684+B00+++*** |
| 1.0                            | 32.0    | 20.0    | 11.0    | 27.5       | -          | 0.8         | 80              | 8                           | 70    | 59.4                  | 2.2                     | C3D1M105+B00+++*** |
| 1.5                            | 32.0    | 22.0    | 13.0    | 27.5       | -          | 0.8         | 80              | 8                           | 70    | 55.7                  | 2.4                     | C3D1M155+B00+++*** |
| 2.0                            | 32.0    | 25.0    | 13.0    | 27.5       | -          | 0.8         | 80              | 8                           | 70    | 27.9                  | 4.7                     | C3D1M205+B00+++*** |
| ★ 2.0                          | 32.0    | 25.0    | 13.0    | 27.5       | -          | 0.8         | 80              | 8                           | 70    | 27.9                  | 4.7                     | C3D1M205KB00+++*** |
| 3.0                            | 32.0    | 30.0    | 16.0    | 27.5       | -          | 0.8         | 80              | 8                           | 70    | 20.4                  | 6.5                     | C3D1M305+B00+++*** |
| 4.0                            | 32.0    | 33.0    | 18.0    | 27.5       | -          | 0.8         | 80              | 8                           | 70    | 15.3                  | 8.6                     | C3D1M405+B00+++*** |
| 5.0                            | 32.0    | 37.0    | 22.0    | 27.5       | -          | 0.8         | 80              | 8                           | 70    | 14.0                  | 9.8                     | C3D1M505+B00+++*** |
| 5.0                            | 32.0    | 37.0    | 22.0    | 27.5       | 10.2       | 0.8         | 80              | 8                           | 70    | 12.3                  | 10.8                    | C3D1M505+B0B+++*** |
| 6.0                            | 32.0    | 37.0    | 22.0    | 27.5       | -          | 0.8         | 80              | 8                           | 70    | 12.3                  | 10.8                    | C3D1M605+B00+++*** |
| 6.0                            | 32.0    | 37.0    | 22.0    | 27.5       | 10.2       | 0.8         | 80              | 8                           | 70    | 10.2                  | 12.9                    | C3D1M605+B0B+++*** |
| 3.0                            | 41.0    | 30.0    | 16.0    | 37.5       | -          | 1.0         | 40              | 15                          | 130   | 48.3                  | 2.5                     | C3D1M305+F00+++*** |
| 4.0                            | 41.0    | 30.0    | 16.0    | 37.5       | -          | 1.0         | 40              | 15                          | 130   | 36.2                  | 3.3                     | C3D1M405+F00+++*** |
| 4.7                            | 41.0    | 33.5    | 18.5    | 37.5       | -          | 1.0         | 40              | 15                          | 130   | 30.8                  | 3.9                     | C3D1M475+F00+++*** |
| 5.0                            | 41.0    | 33.5    | 18.5    | 37.5       | -          | 1.0         | 40              | 15                          | 130   | 29.0                  | 4.1                     | C3D1M505+F00+++*** |
| 6.0                            | 41.0    | 33.5    | 18.5    | 37.5       | -          | 1.0         | 40              | 15                          | 130   | 24.2                  | 5.0                     | C3D1M605+F00+++*** |
| 7.0                            | 42.0    | 40.0    | 20.0    | 37.5       | 10.2       | 1.0         | 40              | 15                          | 130   | 20.7                  | 5.8                     | C3D1M705+F0B+++*** |
| 8.0                            | 41.0    | 37.0    | 22.0    | 37.5       | 10.2       | 1.0         | 40              | 15                          | 130   | 18.1                  | 6.6                     | C3D1M805+F0B+++*** |
| 9.0                            | 41.0    | 37.0    | 22.0    | 37.5       | 12.7       | 1.0         | 40              | 15                          | 130   | 16.1                  | 7.5                     | C3D1M905+F02+++*** |
| 10.0                           | 42.0    | 44.0    | 24.0    | 37.5       | 12.7       | 1.0         | 40              | 15                          | 130   | 14.5                  | 8.3                     | C3D1M106+F02+++*** |
| 12.0                           | 42.0    | 44.0    | 24.0    | 37.5       | 12.7       | 1.0         | 40              | 15                          | 130   | 12.1                  | 9.9                     | C3D1M126+F02+++*** |
| 12.0                           | 42.0    | 44.0    | 24.0    | 37.5       | -          | 1.0         | 40              | 15                          | 130   | 14.0                  | 8.6                     | C3D1M126+F00+++*** |
| 15.0                           | 42.0    | 45.0    | 30.0    | 37.5       | 12.7       | 1.2         | 40              | 15                          | 130   | 9.7                   | 12.4                    | C3D1M156+F02+++*** |
| 15.0                           | 42.0    | 45.0    | 30.0    | 37.5       | 20.3       | 1.2         | 40              | 15                          | 130   | 9.7                   | 12.4                    | C3D1M156+F0A+++*** |
| 18.0                           | 42.0    | 50.0    | 35.0    | 37.5       | 20.3       | 1.2         | 40              | 15                          | 130   | 8.1                   | 14.9                    | C3D1M186+F0A+++*** |
| 20.0                           | 42.0    | 50.0    | 35.0    | 37.5       | 20.3       | 1.2         | 40              | 15                          | 130   | 7.2                   | 16.6                    | C3D1M206+F0A+++*** |
| 25.0                           | 42.0    | 55.0    | 40.0    | 37.5       | 20.3       | 1.2         | 40              | 15                          | 130   | 5.8                   | 20.7                    | C3D1M256+F0A+++*** |
| 30.0                           | 42.0    | 60.0    | 45.0    | 37.5       | 20.3       | 1.2         | 40              | 15                          | 130   | 4.8                   | 24.8                    | C3D1M306+F0A+++*** |
| ★ 15.0                         | 57.0    | 45.0    | 25.0    | 52.5       | 12.7       | 1.2         | 20              | 27                          | 260   | 19.3                  | 6.2                     | C3D1M156+M02+++*** |
| 20.0                           | 57.0    | 43.5    | 29.5    | 52.5       | 12.7       | 1.2         | 20              | 27                          | 260   | 14.5                  | 8.3                     | C3D1M206+M02+++*** |
| 20.0                           | 57.0    | 43.5    | 29.5    | 52.5       | 20.3       | 1.2         | 20              | 27                          | 260   | 14.5                  | 8.3                     | C3D1M206+M0A+++*** |
| 25.0                           | 57.0    | 50.0    | 35.0    | 52.5       | 20.3       | 1.2         | 20              | 27                          | 260   | 11.6                  | 10.4                    | C3D1M256+M0A+++*** |
| 30.0                           | 57.0    | 50.0    | 35.0    | 52.5       | 20.3       | 1.2         | 20              | 27                          | 260   | 9.7                   | 12.4                    | C3D1M306+M0A+++*** |
| 35.0                           | 57.0    | 55.0    | 45.0    | 52.5       | 20.3       | 1.2         | 20              | 27                          | 260   | 8.4                   | 14.3                    | C3D1M356+M0A+++*** |
| 40.0                           | 57.0    | 55.0    | 45.0    | 52.5       | 20.3       | 1.2         | 20              | 27                          | 260   | 7.8                   | 15.5                    | C3D1M406+M0A+++*** |
| 45.0                           | 57.0    | 55.0    | 45.0    | 52.5       | 20.3       | 1.2         | 20              | 27                          | 260   | 6.9                   | 17.4                    | C3D1M456+M0A+++*** |
| 50.0                           | 57.0    | 65.0    | 45.0    | 52.5       | 20.3       | 1.2         | 20              | 27                          | 260   | 6.2                   | 19.3                    | C3D1M506+M0A+++*** |
| 55.0                           | 57.0    | 65.0    | 45.0    | 52.5       | 20.3       | 1.2         | 20              | 27                          | 260   | 5.6                   | 21.3                    | C3D1M556+M0A+++*** |



## ■ 技术参数 Technical data ( mm )

| U <sub>N,85°C</sub> : 1 200Vdc |         |         |         |            |            |             |                 |                             |       |                       |                         |                    |
|--------------------------------|---------|---------|---------|------------|------------|-------------|-----------------|-----------------------------|-------|-----------------------|-------------------------|--------------------|
| C <sub>N</sub><br>(μF)         | W ± 1.0 | H ± 1.0 | T ± 1.0 | P<br>± 0.5 | b<br>± 0.5 | d<br>± 0.05 | dV/dt<br>(V/μs) | tan δ × (10 <sup>-4</sup> ) |       | ESR<br>@10kHz<br>(mΩ) | I <sub>max</sub><br>(A) | Part number        |
|                                |         |         |         |            |            |             |                 | 1kHz                        | 10kHz |                       |                         |                    |
| 1.0                            | 32.0    | 20.0    | 11.0    | 27.5       | -          | 0.8         | 90              | 7                           | 55    | 39.5                  | 3.5                     | C3D3L105+B00+++*** |
| 2.0                            | 32.0    | 24.5    | 15.0    | 27.5       | -          | 0.8         | 90              | 7                           | 55    | 26.3                  | 5.0                     | C3D3L205+B00+++*** |
| 3.0                            | 32.0    | 30.0    | 16.0    | 27.5       | -          | 0.8         | 90              | 7                           | 55    | 17.5                  | 7.5                     | C3D3L305+B00+++*** |
| 4.0                            | 32.0    | 33.0    | 18.0    | 27.5       | -          | 0.8         | 90              | 7                           | 55    | 13.9                  | 9.5                     | C3D3L405+B00+++*** |
| 5.0                            | 32.0    | 37.0    | 22.0    | 27.5       | -          | 0.8         | 90              | 7                           | 55    | 12.7                  | 10.4                    | C3D3L505+B00+++*** |
| 5.0                            | 32.0    | 37.0    | 22.0    | 27.5       | 10.2       | 0.8         | 90              | 7                           | 55    | 11.1                  | 11.8                    | C3D3L505+B0B+++*** |
| 3.0                            | 41.0    | 30.0    | 16.0    | 37.5       | -          | 1.0         | 45              | 13                          | 100   | 37.2                  | 3.2                     | C3D3L305+F00+++*** |
| 4.0                            | 41.0    | 30.0    | 16.0    | 37.5       | -          | 1.0         | 45              | 13                          | 100   | 27.9                  | 4.3                     | C3D3L405+F00+++*** |
| 5.0                            | 41.0    | 33.5    | 18.5    | 37.5       | -          | 1.0         | 45              | 13                          | 100   | 22.3                  | 5.4                     | C3D3L505+F00+++*** |
| 6.0                            | 42.0    | 40.0    | 20.0    | 37.5       | -          | 1.0         | 45              | 13                          | 100   | 18.6                  | 6.5                     | C3D3L605+F00+++*** |
| 7.0                            | 41.0    | 37.0    | 22.0    | 37.5       | 10.2       | 1.0         | 45              | 13                          | 100   | 15.9                  | 7.5                     | C3D3L705+F0B+++*** |
| 8.0                            | 42.0    | 44.0    | 24.0    | 37.5       | 12.7       | 1.0         | 45              | 13                          | 100   | 13.9                  | 8.6                     | C3D3L805+F02+++*** |
| 9.0                            | 42.0    | 44.0    | 24.0    | 37.5       | 12.7       | 1.0         | 45              | 13                          | 100   | 12.4                  | 9.7                     | C3D3L905+F02+++*** |
| 10.0                           | 42.0    | 44.0    | 24.0    | 37.5       | 12.7       | 1.0         | 45              | 13                          | 100   | 11.1                  | 10.8                    | C3D3L106+F02+++*** |
| 12.0                           | 42.0    | 45.0    | 30.0    | 37.5       | 12.7       | 1.2         | 45              | 13                          | 100   | 9.3                   | 12.9                    | C3D3L126+F02+++*** |
| 12.0                           | 42.0    | 45.0    | 30.0    | 37.5       | 20.3       | 1.2         | 45              | 13                          | 100   | 9.3                   | 12.9                    | C3D3L126+F0A+++*** |
| 15.0                           | 42.0    | 50.0    | 35.0    | 37.5       | 20.3       | 1.2         | 45              | 13                          | 100   | 7.4                   | 16.1                    | C3D3L156+F0A+++*** |
| 18.0                           | 42.0    | 50.0    | 35.0    | 37.5       | 20.3       | 1.2         | 45              | 13                          | 100   | 6.6                   | 18.1                    | C3D3L186+F0A+++*** |
| 20.0                           | 42.0    | 55.0    | 40.0    | 37.5       | 20.3       | 1.2         | 45              | 13                          | 100   | 6.0                   | 20.1                    | C3D3L206+F0A+++*** |
| 25.0                           | 42.0    | 60.0    | 45.0    | 37.5       | 20.3       | 1.2         | 45              | 13                          | 100   | 4.8                   | 25.1                    | C3D3L256+F0A+++*** |
| 12.0                           | 57.0    | 45.0    | 25.0    | 52.5       | 12.7       | 1.2         | 23              | 24                          | 200   | 19.9                  | 6.0                     | C3D3L126+M02+++*** |
| 15.0                           | 57.0    | 45.0    | 25.0    | 52.5       | 12.7       | 1.2         | 23              | 24                          | 200   | 15.9                  | 7.5                     | C3D3L156+M02+++*** |
| 20.0                           | 57.0    | 43.5    | 29.5    | 52.5       | 12.7       | 1.2         | 23              | 24                          | 200   | 11.9                  | 10.0                    | C3D3L206KM02+++*** |
| 20.0                           | 57.0    | 43.5    | 29.5    | 52.5       | 20.3       | 1.2         | 23              | 24                          | 200   | 11.9                  | 10.0                    | C3D3L206KM0A+++*** |
| 20.0                           | 57.0    | 45.0    | 30.0    | 52.5       | 12.7       | 1.2         | 23              | 24                          | 200   | 11.9                  | 10.0                    | C3D3L206JM02+++*** |
| 20.0                           | 57.0    | 45.0    | 30.0    | 52.5       | 20.3       | 1.2         | 23              | 24                          | 200   | 11.9                  | 10.0                    | C3D3L206JM0A+++*** |
| 25.0                           | 57.0    | 50.0    | 35.0    | 52.5       | 20.3       | 1.2         | 23              | 24                          | 200   | 9.6                   | 12.6                    | C3D3L256+M0A+++*** |
| 30.0                           | 57.0    | 55.0    | 45.0    | 52.5       | 20.3       | 1.2         | 23              | 24                          | 200   | 8.0                   | 15.1                    | C3D3L306+M0A+++*** |
| 35.0                           | 57.0    | 55.0    | 45.0    | 52.5       | 20.3       | 1.2         | 23              | 24                          | 200   | 6.8                   | 17.6                    | C3D3L356+M0A+++*** |
| 40.0                           | 57.0    | 65.0    | 45.0    | 52.5       | 20.3       | 1.2         | 23              | 24                          | 200   | 6.0                   | 20.1                    | C3D3L406+M0A+++*** |
| 45.0                           | 57.0    | 65.0    | 45.0    | 52.5       | 20.3       | 1.2         | 23              | 24                          | 200   | 5.3                   | 22.6                    | C3D3L456+M0A+++*** |

- 备注Note: 1. “+”表示容量偏差。“+”=capacitance tolerance code, J=±5%, K=±10%。  
 2. “+++”表示引线加工和包装代码。“+++”=lead form and packaging code。  
 3. “\*\*\*”表示内部特征码。“\*\*\*”=Internal use。  
 4. 当“b=10.0mm”时，第12位代码为“1”；当“b=20.0mm”时，第12位代码为“3”。当“b=15.0mm”时，第12位代码为“4”。  
 When the b=10.0mm, the digit 12 is “1”；When the b=20.0mm, the digit 12 is “2”. When the b=15.0mm, the digit 12 is “4”。  
 5. “I<sub>max</sub>”是在f=10kHz, Θ<sub>amb</sub>=70°C, ΔΘ<sub>case</sub>=15.0°C的最大电流有效值。  
 “I<sub>max</sub>”=Maximum r.m.s current at 10kHz, Θ<sub>amb</sub>=70°C, ΔΘ<sub>case</sub>=15.0°C。  
 6. “★”表示外壳为圆弧底。“★”=Arc-bottom of the outer shell.