

承認書

SPECIFICATION FOR APPROVA

<i>CUSTOMER:</i>	
<i>CUSTOMER P/N:</i>	
<i>CUSTOMER PART</i>	
<i>DESCRIPTION:</i>	<i>SMD INDUCTOR</i>
<i>PRODUCTS NO:</i>	<i>BCCMD76-651M</i>
<i>FIRST DATE:</i>	<i>2021-2-26</i> <span style="float: right;"><i>BC REV: X1</i></span>
<i>DATE:</i>	<i>2021-2-26</i>

<i>PURCHASER CONFIRMED</i>		

<i>REMARK</i>

<i>PROVIDER ENGINEER DEPT.</i>		
<i>APPROVAL BY</i>	<i>CHECK BY</i>	<i>DRAWN BY</i>
<b>Ouyangweijun</b>	<b>Ouyangweijun</b>	<b>chenlinli</b>



誠陽實業有限公司

TAIPEI OFF ICE TAIWAN CHENG YANG COMPONENT CORP

2F-1, NO. 176, Chine-Yi Road., Zhonghe District, New Taipei City, TAIWAN(R.O.C)

新北市中和區建一路176號2樓之一

POSTAL CODE: 23500

TEL NO.:+886-2- 8228-0930 FAX NO.:+886-2-8228-0929 E-mail:h21803@ms29.hinet.net



寶誠電子有限公司

CHINA FACTORY ZHUHAI BAO CHENG ELECTRONICSCO.,LTD

Guan Tang Industrial Park, Tang Jia Wan Town, Zhuhai City, Guangdong Province,

中國廣東省珠海市塘家灣鎮官塘工業區

POSTAL CODE: 519085

TEL NO:86-756-3383187 FAX NO:86-756-3380704 E-mail: baocheng@baocheng.biz



昆山誠陽電子有限公司

CHINA FACTORY KUNSHAN CHENG YANG ELECTRONICSCO.,LTDP

江蘇省昆山市高科技工業園區強安路35號

POSTAL CODE: 215300

TEL NO:86-512-57823500 FAX NO:86-512-57823503 E-mail: kscy@taiwan-chengyang.com.tw

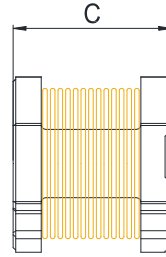
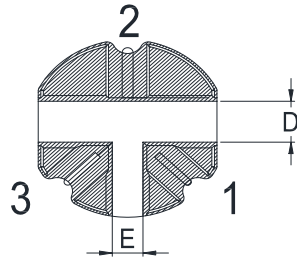
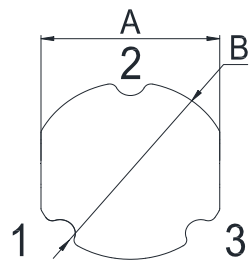


# TEST DATA

## DIMENSION&ELECTRIC CHARACTER

CUSTOMER:	0	PART NO.:	
CUSTOMER :	SMD INDUCTOR	SERIES NO:	BCCMD76-651M

### 1.外观尺寸



(Unit: mm)

A	7.0±0.3
B	7.8±0.3
C	6.2±0.5
D	2.3REF

### 2.绕线表

序号	绕组	线径规格	圈数	绕线方式
1	PIN 1-2	G1-Hφ0.15mm	11.5TS	顺时针背绕
2	PIN 2-3	G1-Hφ0.15mm	139.5TS	顺时针背绕

### 3.电气参数表

序号	测试项目	测试端	技术要求	测试条件	测试仪器
1	电感量	PIN1-2	6uH±30%	100KHz, 0.25V T=25℃	CH1062
		PIN2-3	650uH±20%	100KHz, 0.25V T=25℃	CH1062
2	直流叠加特性	PIN1-3	Inductance drop: 10% at Last	100KHz, 0.25V T=25℃,	CH1062+CH1320
3	温升电流	PIN1-3	△T≤40℃		
5	绝缘电阻	COIL-CORE	100MΩ Min	DC 500V	---
6	抗电强度	COIL-CORE	无击穿或拉弧现象	AC 50Hz 0.5KV/1mA /60S	---

APPROVED BY: Ouyangweijun

CHECKED BY: Ouyangweijun

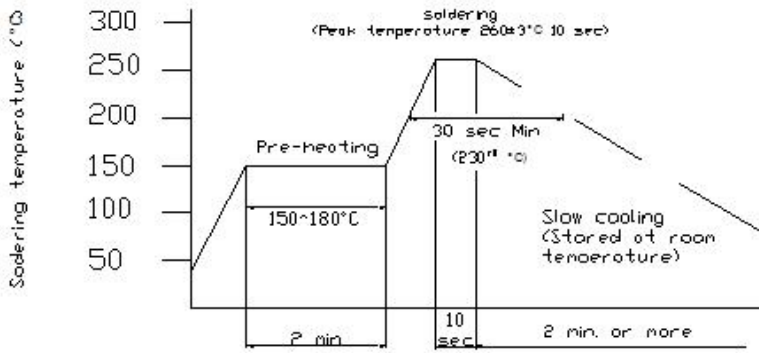
DRAWN BY: chenlinli

# TEST DATA

## DIMENSION&ELECTRIC CHARACTER

CUSTOMER:	0	PART NO.:	
CUSTOMER :	SMD INDUCTOR	SERIES NO:	BCCMD76-651M

### 4.焊接条件



### 5.工作及存储条件

工作

- 储存条件:
1. 温度及湿度条件小于40°C和70%RH;
  2. 建议货到6个月内使用;
  3. 包装材料应避免含氯和硫的环境。

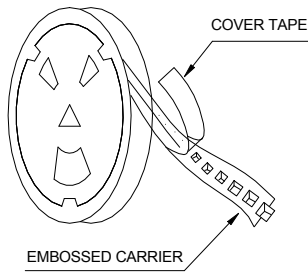
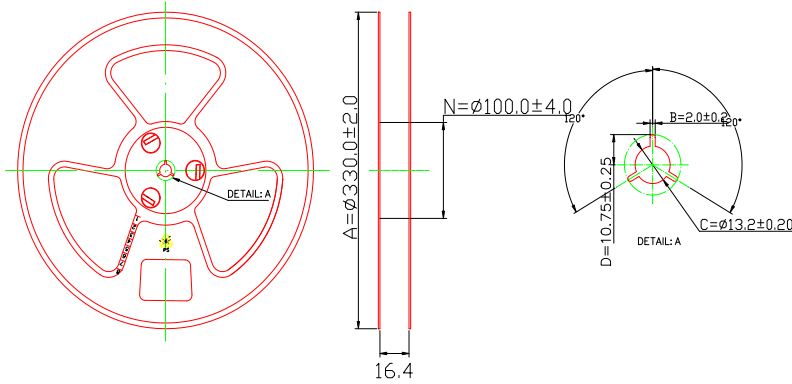
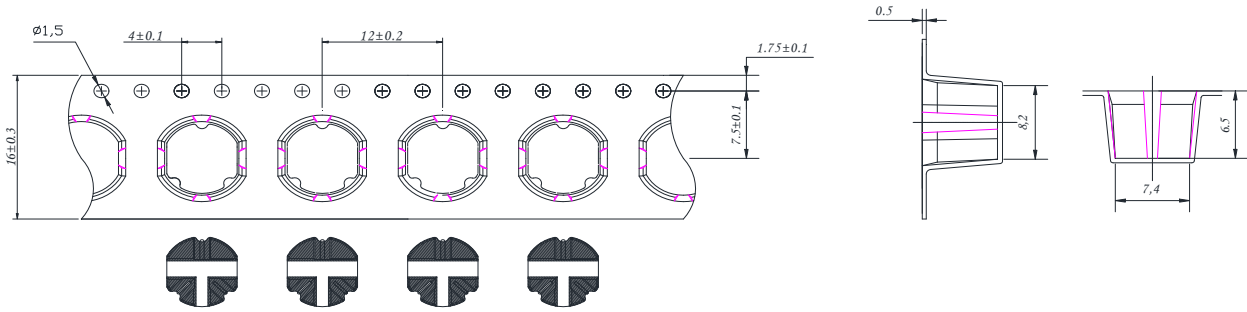
APPROVED BY	CHECKED BY	PREPARED BY
Ouyangweijun	Ouyangweijun	chenlinli

# TEST DATA

## DIMENSION&ELECTRIC CHARACTER

CUSTOMER:	0	PART NO.:	
CUSTOMER :	SMD INDUCTOR	SERIES NO:	BCCMD76-651M

### 6.包装方式



1. 拉力测试范围在: 10g-130g
2. 每盘数量: 800PCS

APPROVED BY	CHECKED BY	PREPARED BY
Ouyangweijun	Ouyangweijun	chenlinli