

## Quad Channel Monolithic Power Stage

### DESCRIPTION

The SiP2204 is a quad channel, fully-integrated monolithic power stage optimized for multi-phase synchronous buck applications. The part has very fast propagation to enable switching frequencies of up to 10 MHz/channel and offers a high power density design for use in applications such as envelope tracking power supplies for RF power amplifiers used in next generation 4G base stations.

Packaged in QFN32 5 x 5, SiP2204 supports input voltages up to 24 V and delivers 500 mA continuous current for each channel.

The SiP2204 incorporates four independent MOSFET gate driver ICs that work with both 3.3 V and 5 V PWM inputs.

### FEATURES

- QFN32 5 x 5 package
- Power stage input up to 24 V
- 500 mA per channel continuous current
- 2 A per channel peak current capability
- High frequency operation beyond 5 MHz
- 3.3 V and 5 V PWM logic
- Low PWM propagation delay (typical 13 ns)
- Enable feature to put the output at high impedance when disabled
- Junction temperature: -40 °C to +125 °C

### APPLICATIONS

- Envelope tracking (ET) supplies for RF power amplifiers (LDMOS, GaAs FET, GaAs HBT or GaN based)
- Synchronous buck converters

### TYPICAL APPLICATION CIRCUIT

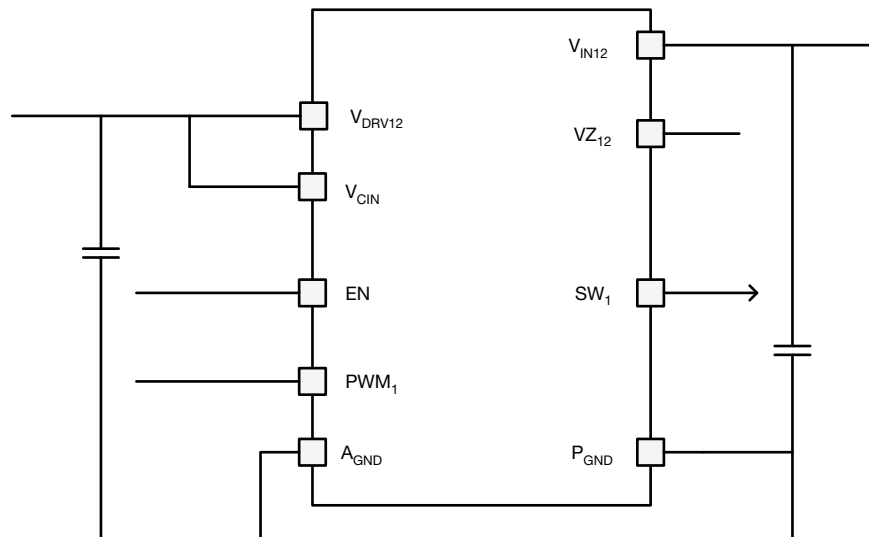
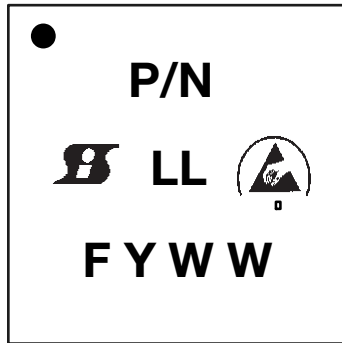



Fig. 1 - Typical Application Circuit for SiP2204  
(channel 1 shown)

**PART MARKING**


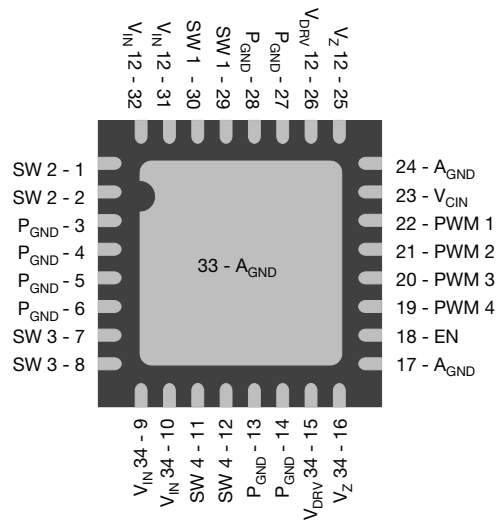
- = pin 1 indicator
- P/N = part number code
- B** = Siliconix logo
-  = ESD symbol
- F = assembly factory code
- Y = year code
- WW = week code
- LL = lot code

<b>ABSOLUTE MAXIMUM RATINGS</b>			
ELECTRICAL PARAMETER	CONDITIONS	LIMIT	UNIT
Input voltage	$V_{INX}$	-0.3 to +26	V
Control logic supply voltage	$V_{CIN}$	-0.3 to +6	
Low-side driver supply voltage	$V_{DRVX}$	-0.3 to +6	
Switch node (DC voltage)	$SW_X$	-0.3 to +26	
Switch node (AC voltage) <sup>(1)</sup>		29	
High-side regulator output monitor voltage	$V_{ZX}$	$(V_{INX} - 6)$ to $V_{INX}$ and $V_{ZX} > -0.3$	
All logic inputs and outputs (PWM <sub>X</sub> and EN)		-0.3 to $V_{CIN} + 0.3$	
Max. operating junction temperature	$T_J$	150	°C
Ambient temperature	$T_A$	-40 to +125	
Storage temperature	$T_{stg}$	-65 to +150	
Electrostatic discharge protection	Human body model, JESD22-A114	3000	V
	Charged device model, JESD22-C101	1000	

**Notes**

- Stresses beyond those listed under “Absolute Maximum Ratings” may cause permanent damage to the device. These are stress ratings only, and functional operation of the device at these or any other conditions beyond those indicated in the operational sections of the specifications is not implied. Exposure to absolute maximum rating conditions for extended periods may affect device reliability
- <sup>(1)</sup> The specification values indicated “AC” is  $SW_X$  to  $P_{GND}$ , 29 V (< 50 ns), max.

<b>RECOMMENDED OPERATING RANGE</b>				
ELECTRICAL PARAMETER	MINIMUM	TYPICAL	MAXIMUM	UNIT
Input voltage ( $V_{INX}$ )	10	-	24	V
Low-side driver supply voltage ( $V_{DRVX}$ )	4.5	5	5.5	
Control logic supply voltage ( $V_{CIN}$ )	4.5	5	5.5	
Thermal resistance from junction to PCB	-	25	-	°C/W
Thermal resistance from junction to case	-	1	-	

**PIN CONFIGURATION**

**Fig. 2 - Pin Configuration for SiP2204**

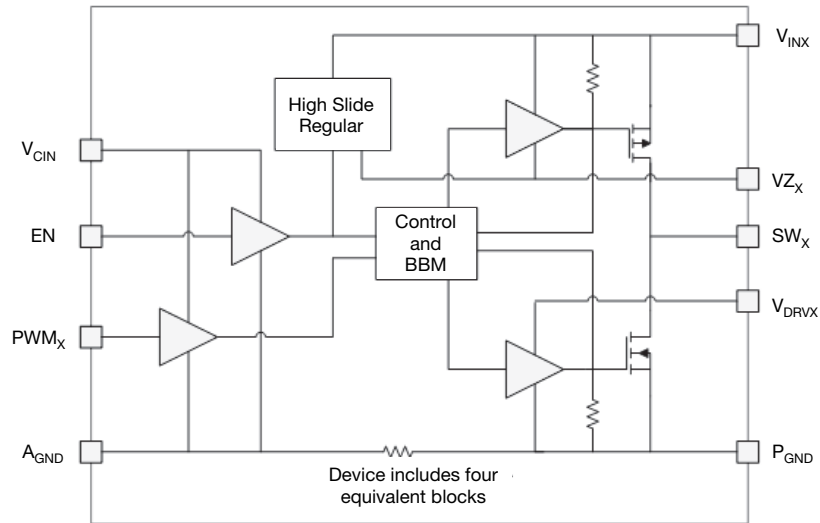
PIN CONFIGURATION		
PIN NUMBER	PIN NAME	PIN DESCRIPTION
1, 2	SW 2	Channel 2 driver output
3 to 6, 13, 14, 27, 28	P <sub>GND</sub>	Low-side driver power return for all channels
7, 8	SW 3	Channel 3 driver output
9, 10	V <sub>IN 34</sub>	Power stage input voltage and high-side driver power supply for channel 3 and 4
11, 12	SW 4	Channel 4 driver output
15	V <sub>DRV 34</sub>	Low-side driver power supply for channel 3 and 4
16	V <sub>Z 34</sub>	High-side regulator output monitor for channel 3 and 4
18	EN	Global enable pin. Active high
19	PWM 4	Channel 4 PWM input (In phase with SW)
20	PWM 3	Channel 3 PWM input (In phase with SW)
21	PWM 2	Channel 2 PWM input (In phase with SW)
22	PWM 1	Channel 1 PWM input (In phase with SW)
23	V <sub>CIN</sub>	Supply voltage for internal logic circuitry
17, 24, 33	A <sub>GND</sub>	Analog ground
25	V <sub>Z 12</sub>	High-side regulator output monitor for channel 1 and 2
26	V <sub>DRV 12</sub>	Low-side driver power supply for channel 1 and 2
29, 30	SW 1	Channel 1 driver output
31, 32	V <sub>IN 12</sub>	Power stage input voltage and high-side driver power supply for channel 1 and 2



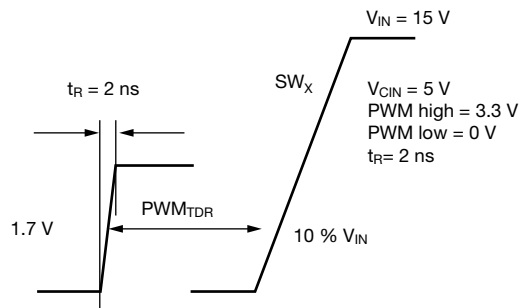
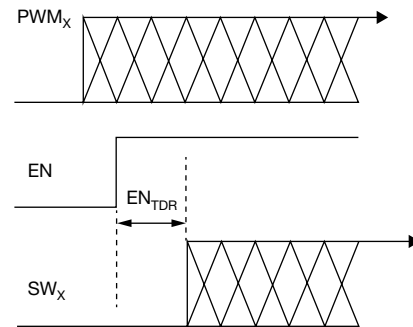
<b>ELECTRICAL SPECIFICATIONS</b>						
PARAMETER	SYMBOL	TEST CONDITION UNLESS OTHERWISE SPECIFIED $V_{DRVX} = V_{CIN} = EN = 5\text{ V}$ , $V_{INX} = 15\text{ V}$ , $V_{INX} - V_{ZX} = 5\text{ V}$ , no load, PWM rise and fall time = 2 ns $T_A = 25\text{ }^\circ\text{C}$ for typical value	JUNCTION TEMPERATURE -40 °C to +125 °C unless otherwise specified			UNIT
			MIN.	TYP.	MAX.	
<b>POWER SUPPLY</b>						
Power stage input and high-side driver supply current	$I_{VIN}$	EN = 0 V, PWM <sub>X</sub> = 0 V	-	-	1	μA
		PWM <sub>X</sub> = 0 V	-	90	130	
		PWM <sub>X</sub> = 3.3 V (80K pull-up on high-side gate)	-	230	330	
		$f_{sw} = 4\text{ MHz}$ , D = 10 %, one channel	-	14	27.5	mA
Control logic and low-side driver supply current	$I_{VCIN} + I_{VDRV}$	EN = 0 V, no switching, PWM = 0	-	-	1	μA
		PWM <sub>X</sub> = 0 V (80K pull-down on low-side gate)	-	370	530	
		PWM <sub>X</sub> = 3.3 V	-	90	130	
		$f_{sw} = 4\text{ MHz}$ , D = 10 %, one channel	-	5	8	mA
<b>PWMx/EN LOGIC (ALSO SEE TIMING DIAGRAM BELOW FOR ILLUSTRATION)</b>						
PWMx/EN rising threshold	$V_{TH\_R}$		2.4	-	-	V
PWMx/EN falling threshold	$V_{TH\_F}$		-	-	0.8	
PWM <sub>X</sub> supply current	$I_{PWM}$	PWM <sub>X</sub> = 5 V	-	-	1	μA
EN supply current	$I_{EN}$	$R_{EN} = 1\text{ M}\Omega$ to $A_{GND}$	-	-	8	
PWM on time <sup>(1)</sup>	$t_{PWM\_ON}$		12	-	-	ns
PWM rising propagation delay	$t_{PD\_R\_PWM}$	From PWM rises to 1.7 V to SW rises to 1.5 V; 25 °C	8	15	22	
		From PWM rises to 1.7 V to SW rises to 1.5 V	-	-	25	
PWM falling propagation delay	$t_{PD\_F\_PWM}$	From PWM falls to 1.7 V to SW falls to 1.5 V; 25 °C	7	18	26	
		From PWM falls to 1.7 V to SW falls to 1.5 V	-	-	30	
PWM propagation delay matching <sup>(2)</sup>	$t_{PD\_M\_PWM}$	From PWM rises to 1.7 V to SW rises to 1.5 V; 25 °C	-	0.4	0.75	
		From PWM rises to 1.7 V to SW rises to 1.5 V	-	-	1	
EN propagation delay	$t_{PD\_EN}$	From EN rise to $V_{CIN}$ to SW start switching	-	5	-	μs
<b>OUTPUT DRIVER</b>						
Low-side on resistance	$R_{DS(on)_N}$	$I_{sw} = 0.1\text{ A}$	-	0.35	0.56	Ω
High-side on resistance	$R_{DS(on)_P}$	$I_{sw} = 0.1\text{ A}$ , $V_{IN} - V_Z = 5\text{ V}$	-	0.55	0.92	

**Notes**

- (1) Guaranteed by design
- (2) Difference between the maximum and minimum PWM propagation delay among 4 channels

**FUNCTIONAL BLOCK DIAGRAM**

**Fig. 3 - Functional Block Diagram for SiP2204**

ORDERING INFORMATION		
PART NUMBER	PACKAGE	MARKING (LINE 2: P/N)
SiP2204EMP-T1-GE4	QFN32 5 x 5	SiP2204
SiP2204DB	Reference board	

**TIMING WAVEFORMS**

**Fig. 4 - Timing Waveform for SiP2204**

**Fig. 5 - Timing Waveform for SiP2204**
**DETAILED OPERATIONAL DESCRIPTION**
**PWM Input**

The PWM input receives the PWM control signal from the VR controller IC. The PWM input is designed to be compatible with standard controllers using two state logic (H and L) on the PWM output. For two state logic, the PWM input operates as follows. When PWM is driven above  $V_{TH\_PWM\_R}$  the low-side is turned off and the high-side is turned on. When PWM input is driven below  $V_{TH\_PWM\_F}$  the high-side turns off and the low-side turns on. The SiP2204 incorporates PWM voltage thresholds that is compatible with 3.3 V and 5 V logic.

**Enable (EN)**

In the low state, the EN pin shuts down the device. In this state, standby current is minimized. If EN is left unconnected, an internal pull-down resistor will pull the pin to  $A_{GND}$  and shuts down the device. The EN pin is a global enable for all four channels when driven above  $V_{TH\_EN\_R}$ .

**High-Side Regulator Output Monitor ( $V_Z$ )**

$V_Z 12$  and  $V_Z 34$  are the output monitors for the high-side regulators.  $V_{ZX}$  is regulated to 5 V below  $V_{IN}$  (typical).

**Voltage Input ( $V_{IN}$ )**

The power input to the drain of the high-side power MOSFET and the high-side driver supply. This pin is connected to the high power intermediate BUS rail. An 80 k $\Omega$  resistor is connected between the high-side gate and  $V_{IN}$ .

**Switch Node ( $SW_X$ )**

The switch node, SW, is the circuit power stage output. This is the output applied to the power inductor and output filter to deliver the output for the buck converter.

**Ground Connections ( $A_{GND}$  and  $P_{GND}$ )**

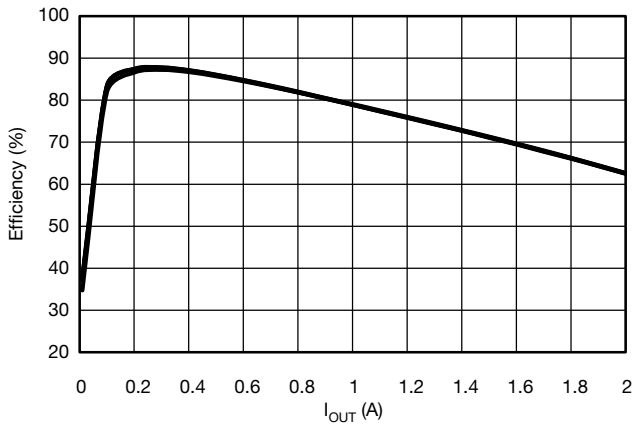
$P_{GND}$  (power ground) should be externally connected to  $A_{GND}$  (analog ground). The layout of the printed circuit board should be such that the inductance separating the  $A_{GND}$  and  $P_{GND}$  should be a minimum. Transient differences due to inductance effects between these two pins should not exceed 0.5 V.

**Control and Drive Supply Voltage Input ( $V_{DRV}$ ,  $V_{CIN}$ )**

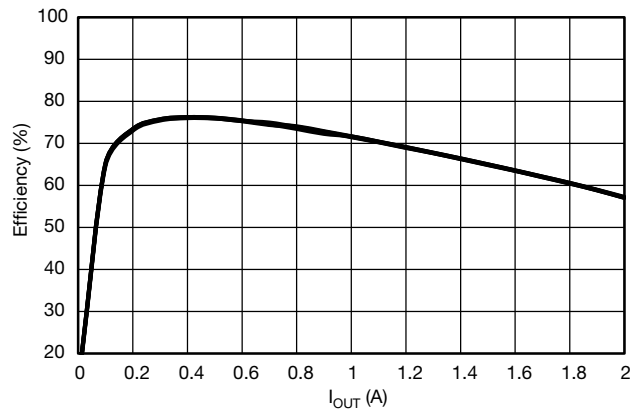
$V_{CIN}$  is the bias supply for the logic control circuitry of the IC.  $V_{DRVx}$  is the bias supply for the low-side gate drivers. It is recommended to separate these pins through a resistor. This creates a low pass filtering effect to avoid coupling of high frequency gate drive noise into the logic circuitry.



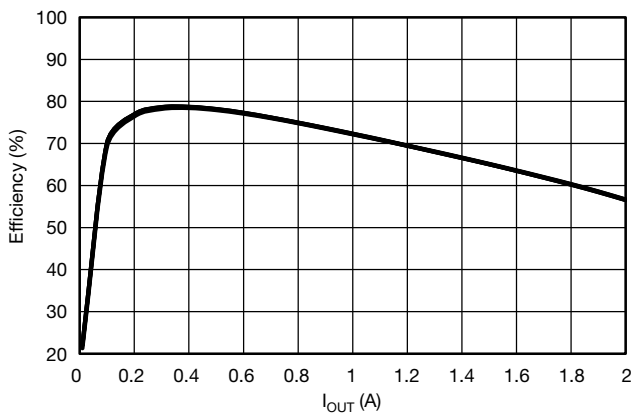
**ELECTRICAL CHARACTERISTICS** ( $V_{OUT} = 2\text{ V}$ ,  $V_{CIN} = V_{DRVx} = 5\text{ V}$ ,  $L = 4.7\text{ }\mu\text{H}$ , unless otherwise noted)



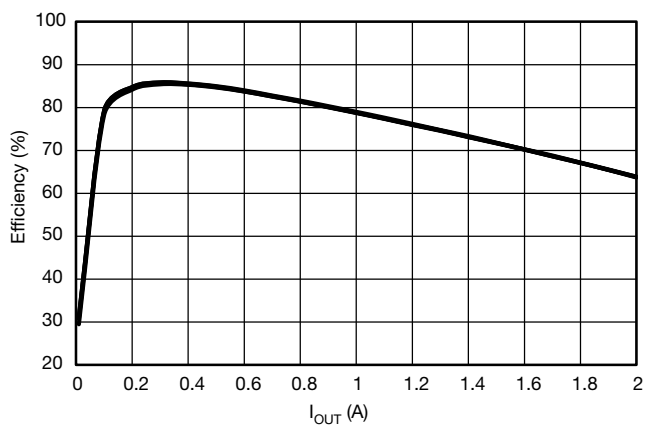
**Fig. 6 - Efficiency vs.  $I_{OUT}$**   
 $V_{IN} = 8\text{ V}$ ,  $f_{SW} = 1\text{ MHz}$



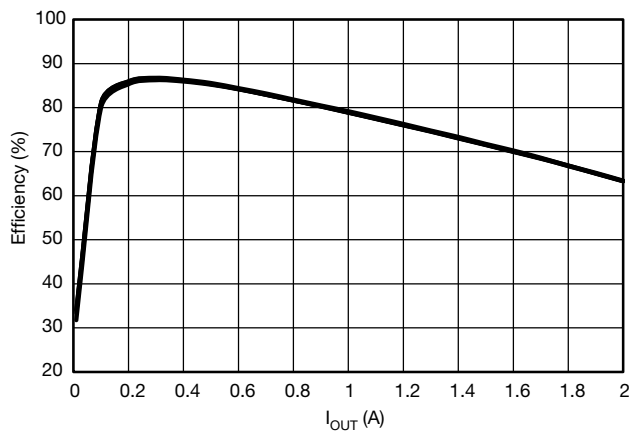
**Fig. 9 - Efficiency vs.  $I_{OUT}$**   
 $V_{IN} = 10\text{ V}$ ,  $f_{SW} = 5\text{ MHz}$



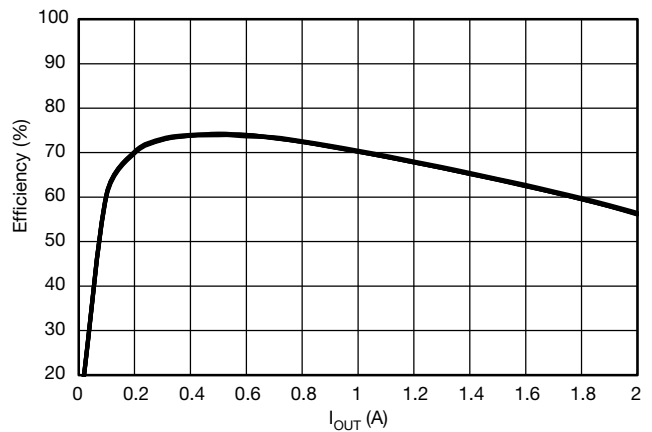
**Fig. 7 - Efficiency vs.  $I_{OUT}$**   
 $V_{IN} = 8\text{ V}$ ,  $f_{SW} = 5\text{ MHz}$



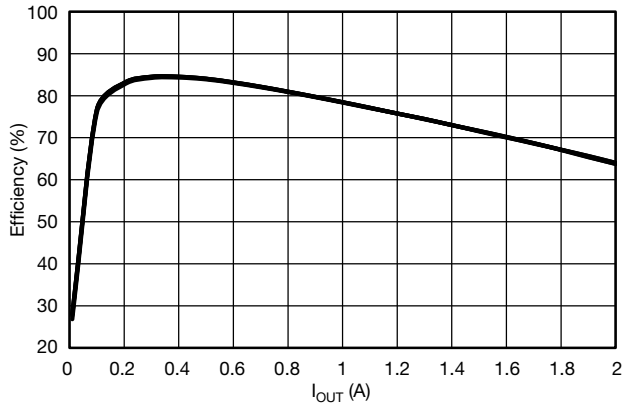
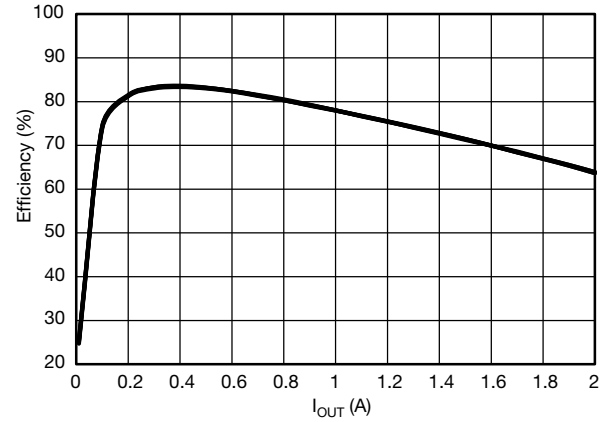
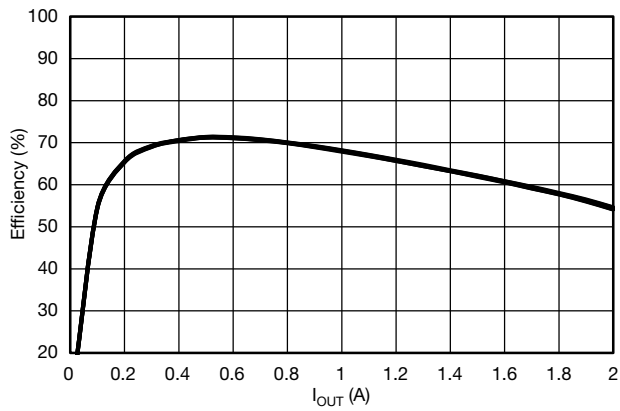
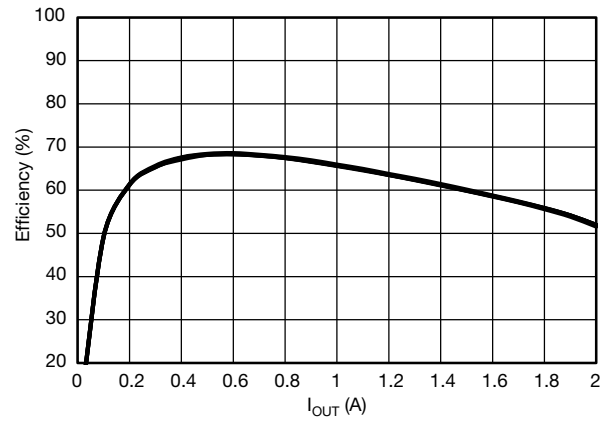
**Fig. 10 - Efficiency vs.  $I_{OUT}$**   
 $V_{IN} = 12\text{ V}$ ,  $f_{SW} = 1\text{ MHz}$



**Fig. 8 - Efficiency vs.  $I_{OUT}$**   
 $V_{IN} = 10\text{ V}$ ,  $f_{SW} = 1\text{ MHz}$



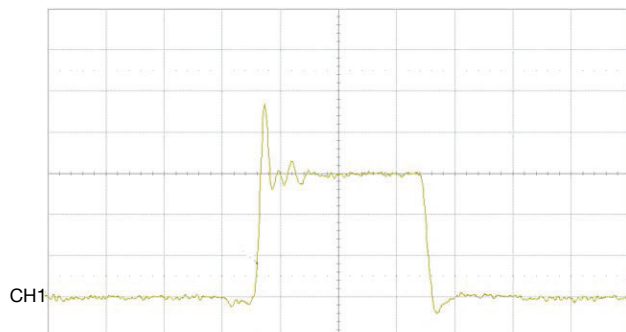
**Fig. 11 - Efficiency vs.  $I_{OUT}$**   
 $V_{IN} = 12\text{ V}$ ,  $f_{SW} = 5\text{ MHz}$

**ELECTRICAL CHARACTERISTICS** ( $V_{OUT} = 2\text{ V}$ ,  $V_{CIN} = V_{DRVx} = 5\text{ V}$ ,  $L = 4.7\text{ }\mu\text{H}$ , unless otherwise noted)

**Fig. 12 - Efficiency vs.  $I_{OUT}$**   
 $V_{IN} = 15\text{ V}$ ,  $f_{SW} = 1\text{ MHz}$ 

**Fig. 14 - Efficiency vs.  $I_{OUT}$**   
 $V_{IN} = 18\text{ V}$ ,  $f_{SW} = 1\text{ MHz}$ 

**Fig. 13 - Efficiency vs.  $I_{OUT}$**   
 $V_{IN} = 15\text{ V}$ ,  $f_{SW} = 5\text{ MHz}$ 

**Fig. 15 - Efficiency vs.  $I_{OUT}$**   
 $V_{IN} = 18\text{ V}$ ,  $f_{SW} = 5\text{ MHz}$

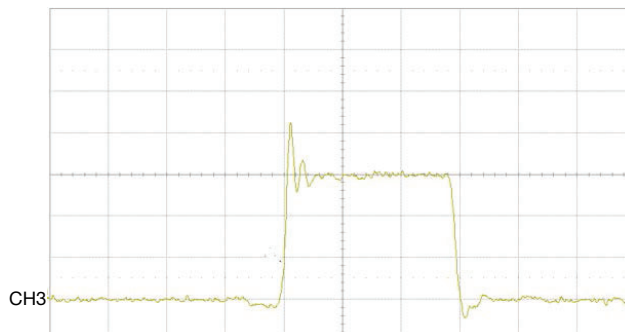


**ELECTRICAL CHARACTERISTICS**

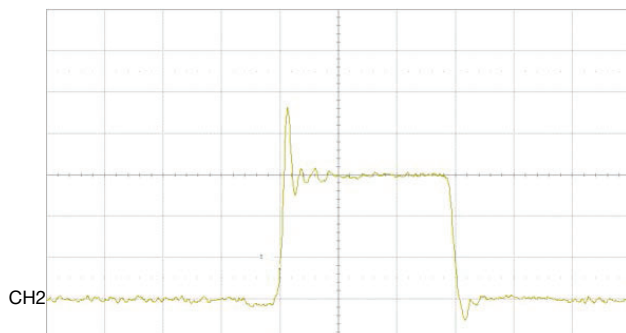
( $V_{IN} = 15\text{ V}$ ,  $V_{OUT} = 2\text{ V}$ ,  $V_{CIN} = V_{DRVx} = 5\text{ V}$ ,  $I_{OUT} = 0.5\text{ A}$ ,  $f_{SW} = 5\text{ MHz}$ ,  $L = 4.7\text{ }\mu\text{H}$ , unless otherwise noted)



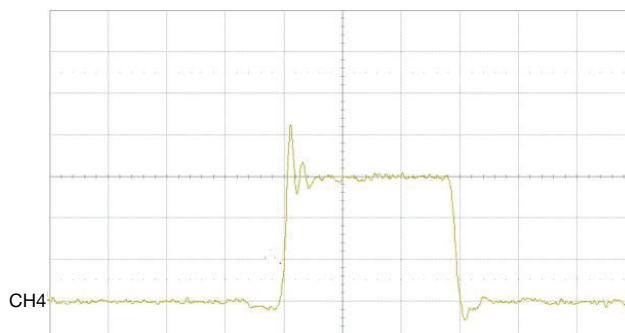
**Fig. 16 - Output Switching Waveform**  
CH1 (YLLW) = SW1 (5 V/div.), Time = 10 ns/div.



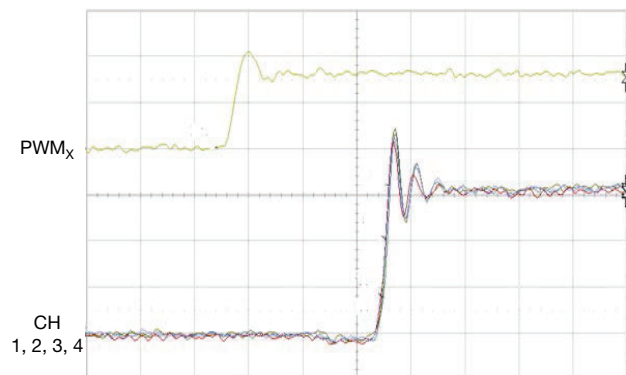
**Fig. 19 - Output Switching Waveform**  
CH3 (YLLW) = SW3 (5 V/div.), Time = 10 ns/div.



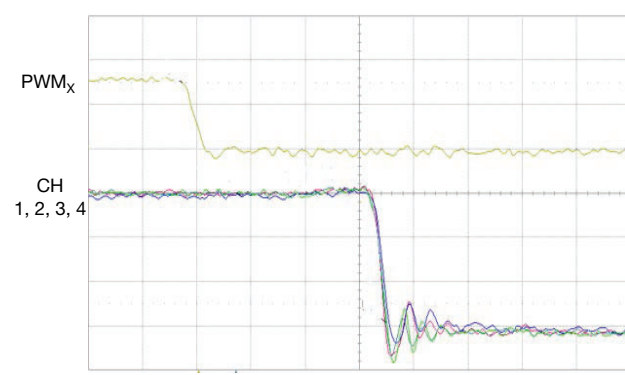
**Fig. 17 - Output Switching Waveform**  
CH2 (YLLW) = SW2 (5 V/div.), Time = 10 ns/div.



**Fig. 20 - Output Switching Waveform**  
CH4 (YLLW) = SW4 (5 V/div.), Time = 10 ns/div.

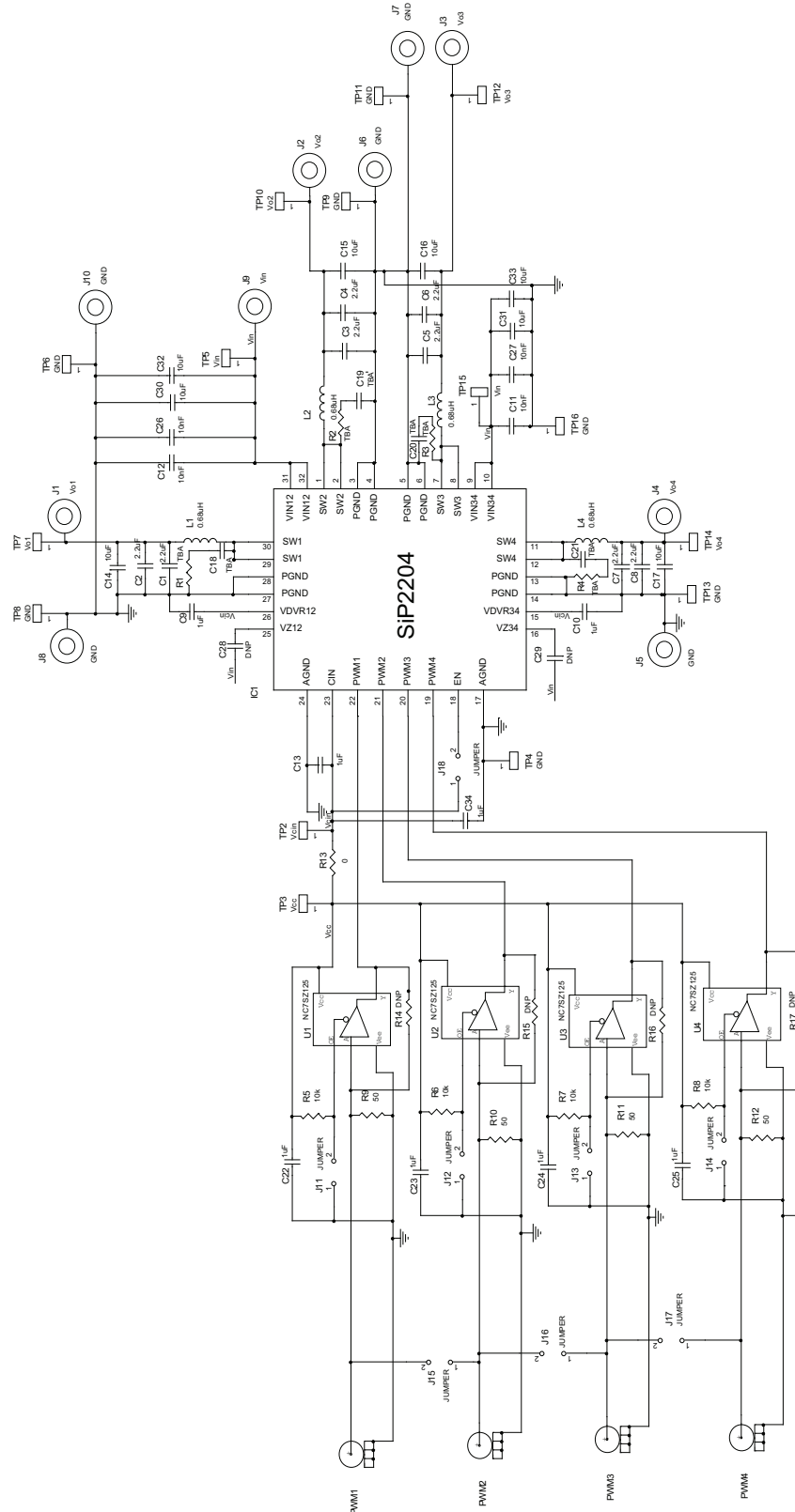


**Fig. 18 - Propagation Delay - Rising (all channels)**  
CH1 = (VLT) = SW1 (5 V/div.), CH2 = (RED) = SW2 (5 V/div.),  
CH3 = (BLU) = SW3 (5 V/div.), CH4 = (GRN) = SW4 (5 V/div.),  
PWM<sub>x</sub> (YLLW) = 2 V/div., Time = 5 ns/div.



**Fig. 21 - Propagation Delay - Falling (all channels)**  
CH1 = (VLT) = SW1 (5 V/div.), CH2 = (RED) = SW2 (5 V/div.),  
CH3 = (BLU) = SW3 (5 V/div.), CH4 = (GRN) = SW4 (5 V/div.),  
PWM<sub>x</sub> (YLLW) = 2 V/div., Time = 5 ns/div.

**DEMO BOARD SCHEMATIC**



**Fig. 22 - Reference Board Schematic for SiP2204**



BILL OF MATERIALS				
ITEM	QTY.	REFERENCE	COMPONENT VALUE	PCB FOOTPRINT
1	8	C1, C2, C3, C4, C5, C6, C7, C8	2.2 $\mu$ F, 6.3 V	0805
2	4	C9, C10, C13, C34	1 $\mu$ F, 6.3 V	0402
3	4	C11, C12, C26, C27	10 nF, 25 V	0805
4	4	C14, C15, C16, C17	10 $\mu$ F, 6.3 V	1206
5	4	C18, C19, C20, C21	DNP	0603
6	4	C22, C23, C24, C25	1 $\mu$ F, 10 V	0603
7	2	C28, C29	DNP	0603
8	4	C30, C31, C32, C33	10 $\mu$ F, 25 V	1210
9	1	IC1	SiP2204	QFN5x5-32
10	1	J1	V <sub>O1</sub>	Banana
11	1	J2	V <sub>O2</sub>	Banana
12	1	J3	V <sub>O3</sub>	Banana
13	1	J4	V <sub>O4</sub>	Banana
14	5	J5, J6, J7, J8, J10	GND	Banana
15	1	J9	V <sub>IN</sub>	Banana
16	8	J11, J12, J13, J14, J15, J16, J17, J18	JUMPER	Jumper2
17	4	L1, L2, L3, L4	4.7 $\mu$ H	IHLP2525A
18	4	PWM1, PWM2, PWM3, PWM4	SMA connect	SMA
19	4	R1, R2, R3, R4	DNP	R0805-Vishay
20	4	R5, R6, R7, R8	10 k $\Omega$	R0805-Vishay
21	4	R9, R10, R11, R12	50 $\Omega$	R1206-Vishay
22	1	R13	0 $\Omega$	R0805-Vishay
23	4	R14, R15, R16, R17	DNP	R0603-Vishay
24	1	TP2	V <sub>CIN</sub>	TP30
25	1	TP3	V <sub>CC</sub>	TP30
26	7	TP4, TP6, TP8, TP9, TP11, TP13, TP16	GND	TP30
27	2	TP5, TP15	V <sub>IN</sub>	TP30
28	1	TP7	V <sub>O1</sub>	TP30
29	1	TP10	V <sub>O2</sub>	TP30
30	1	TP12	V <sub>O3</sub>	TP30
31	1	TP14	V <sub>O4</sub>	TP30
32	4	U1, U2, U3, U4	NC7SZ125	SOT23-5

PCB LAYOUT OF REFERENCE BOARD

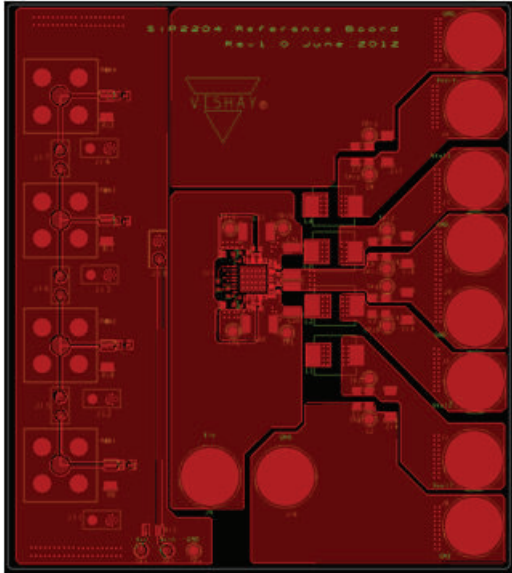


Fig. 23 - Top Layer

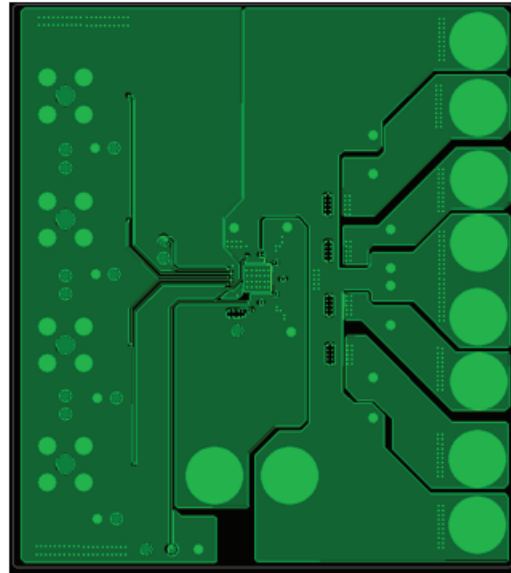


Fig. 25 - Inner 2

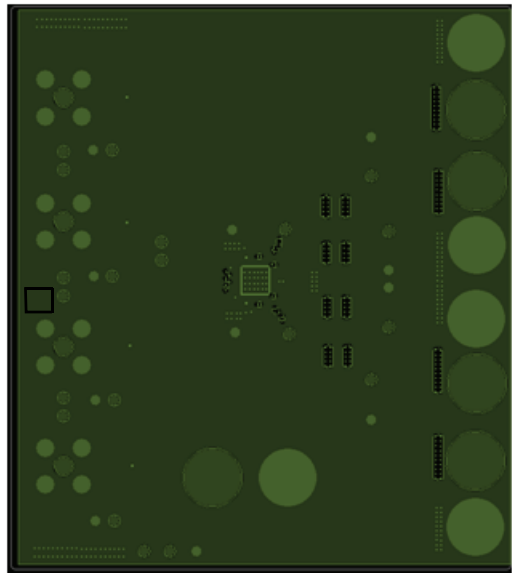


Fig. 24 - Inner 1

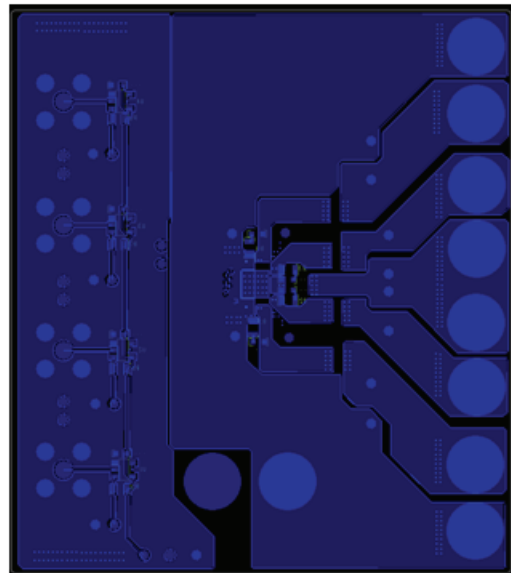


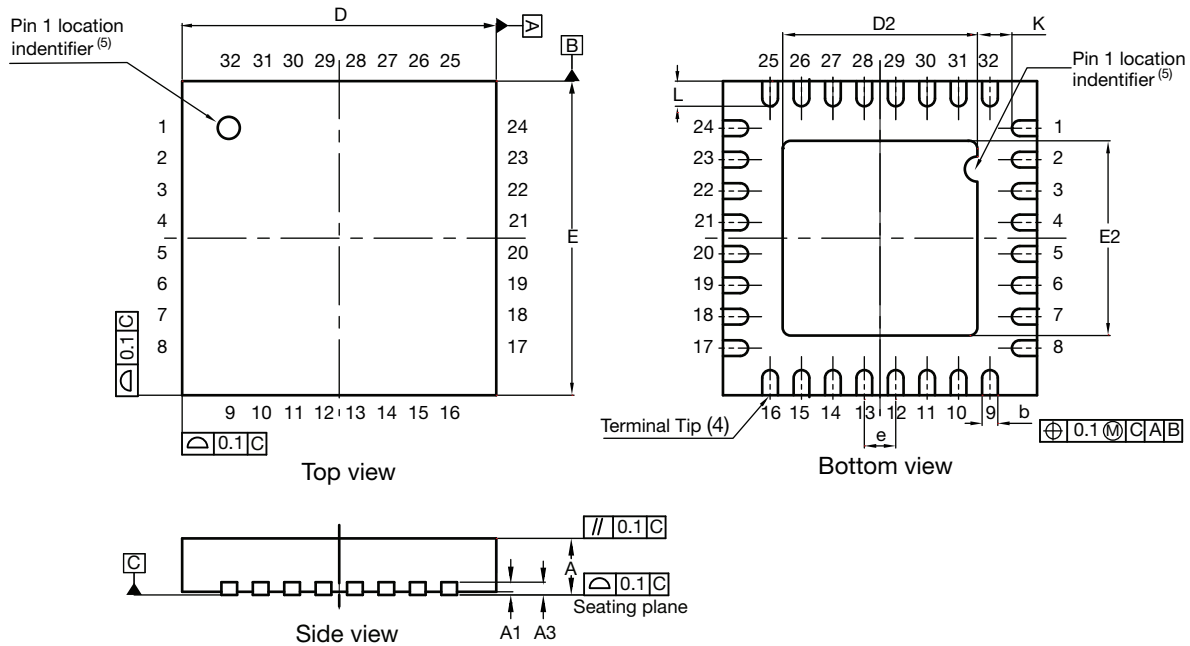
Fig. 26 - Bottom



PRODUCT SUMMARY	
Part number	SiP2204
Description	0.5 A power stage, 10 V <sub>IN</sub> to 24 V <sub>IN</sub> , 3.3 V and 5.5 V PWM with - mode
Input voltage min. (V)	10
Input voltage max. (V)	24
Continuous current rating max. (A)	0.5
Switch frequency max. (kHz)	5000
Enable (yes / no)	YES
Monitoring features	-
Protection	UVLO
Light load mode	-
Pulse-width modulation (V)	3.3 and 5
Package type	QFN32-55
Package size (W, L, H) (mm)	5.0 x 5.0 x 0.85
Status code	2
Product type	VRPower (DrMOS)
Applications	Computer, industrial, networking

Vishay Siliconix maintains worldwide manufacturing capability. Products may be manufactured at one of several qualified locations. Reliability data for Silicon Technology and Package Reliability represent a composite of all qualified locations. For related documents such as package / tape drawings, part marking, and reliability data, see [www.vishay.com/ppg?62619](http://www.vishay.com/ppg?62619).

### QFN32 5 x 5 Case Outline



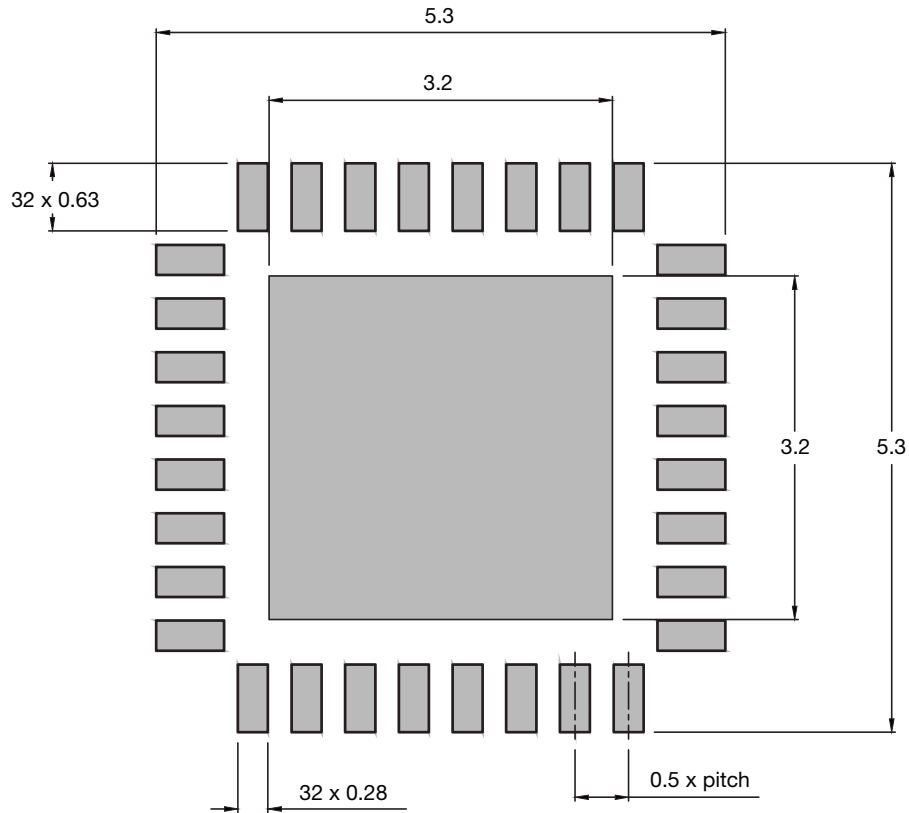
DIM.	MILLIMETERS			INCHES		
	MIN.	NOM.	MAX.	MIN.	NOM.	MAX.
A	0.75	0.85	0.95	0.029	0.033	0.037
A1	0.00	-	0.05	0.000	-	0.002
A3	0.20 ref.			0.008 ref.		
b	0.18	0.25	0.30	0.007	0.010	0.012
D	5.00 BSC			0.197 BSC		
D2	3.00	3.10	3.20	0.118	0.122	0.126
e	0.50 BSC			0.020 BSC		
E	5.00 BSC			0.197 BSC		
E2	3.00	3.10	3.20	0.118	0.122	0.126
K	0.20	-	-	0.008	-	-
L	0.30	0.40	0.50	0.012	0.016	0.020
N <sup>(3)</sup>	32			32		
Nd <sup>(3)</sup>	8			8		
Ne <sup>(3)</sup>	8			8		

#### Notes

- (1) Use millimeters as the primary measurement
- (2) Dimensioning and tolerances conform to ASME Y14.5M. - 1994
- (3) N is the number of terminals,  
Nd is the number of terminals in X-direction and  
Ne is the number of terminals in Y-direction.
- (4) Dimension b applies to plated terminal and is measured between 0.15 mm and 0.30 mm from terminal tip
- (5) The pin #1 identifier must be existed on the top surface of the package by using indentation mark or other feature of package body
- (6) Package warpage max. 0.05 mm

S14-2079-Rev. A, 20-Oct-14  
DWG: 6027

## Recommended Land Pattern QFN32 5 x 5



Dimensions are in millimeters



## **Disclaimer**

ALL PRODUCT, PRODUCT SPECIFICATIONS AND DATA ARE SUBJECT TO CHANGE WITHOUT NOTICE TO IMPROVE RELIABILITY, FUNCTION OR DESIGN OR OTHERWISE.

Vishay Intertechnology, Inc., its affiliates, agents, and employees, and all persons acting on its or their behalf (collectively, "Vishay"), disclaim any and all liability for any errors, inaccuracies or incompleteness contained in any datasheet or in any other disclosure relating to any product.

Vishay makes no warranty, representation or guarantee regarding the suitability of the products for any particular purpose or the continuing production of any product. To the maximum extent permitted by applicable law, Vishay disclaims (i) any and all liability arising out of the application or use of any product, (ii) any and all liability, including without limitation special, consequential or incidental damages, and (iii) any and all implied warranties, including warranties of fitness for particular purpose, non-infringement and merchantability.

Statements regarding the suitability of products for certain types of applications are based on Vishay's knowledge of typical requirements that are often placed on Vishay products in generic applications. Such statements are not binding statements about the suitability of products for a particular application. It is the customer's responsibility to validate that a particular product with the properties described in the product specification is suitable for use in a particular application. Parameters provided in datasheets and / or specifications may vary in different applications and performance may vary over time. All operating parameters, including typical parameters, must be validated for each customer application by the customer's technical experts. Product specifications do not expand or otherwise modify Vishay's terms and conditions of purchase, including but not limited to the warranty expressed therein.

Except as expressly indicated in writing, Vishay products are not designed for use in medical, life-saving, or life-sustaining applications or for any other application in which the failure of the Vishay product could result in personal injury or death. Customers using or selling Vishay products not expressly indicated for use in such applications do so at their own risk. Please contact authorized Vishay personnel to obtain written terms and conditions regarding products designed for such applications.

No license, express or implied, by estoppel or otherwise, to any intellectual property rights is granted by this document or by any conduct of Vishay. Product names and markings noted herein may be trademarks of their respective owners.