

---

### LOW VOLTAGE DETECTOR WITH BUILT-IN DELAY CIRCUIT

---

NO.EA-209-160316

#### OUTLINE

R3134x Series are CMOS-based voltage detector ICs with built-in delay circuit, high detector threshold accuracy, and ultra low supply current, which can operate at low voltage.

These ICs can be used as system reset generators, and each of these ICs consists of a voltage reference, a comparator, resistors for setting voltage detector threshold, an output driver transistor, manual reset circuit, and an output delay generator.

Detector threshold is fixed internally with high accuracy and requires no adjustment. When a supply voltage crosses a setting detector threshold voltage from a high value to a lower value, this IC generates reset signal.

R3134x Series output "L" at its detect.

Since each of R3134x Series embeds an output delay generator, during a setting 240ms delay time, which is fixed in the IC, this IC keeps the reset condition after they are released. Released conditions will be kept for the delay time from when a supply voltage crosses a setting detector threshold voltage from a low value to a higher value, or from when the manual reset signal is released.

Two output types, Nch open drain type and CMOS type, are available.

Since the packages for these ICs are DFN(PLP)1212-6, SOT-23-5, and SC-88A, high density mounting of the ICs on board is possible.

#### FEATURES

- Supply Current ..... Typ. 0.8 $\mu$ A (R3134x27Ex, V<sub>DD</sub>=3.0V)
- Operating Voltage Range ..... 0.75V to 6.0V (T<sub>opt</sub>=25°C)
- Detector Threshold Range ..... 1.0V to 5.0V (0.1V steps)  
Further, 2.32V, 2.63V, 2.93V, 3.08V, 4.38V, and 4.63V can be provided as standard.
- Detector Threshold Accuracy .....  $\pm$ 1.8%
- Temperature-Drift Coefficient of Detector Threshold ..... Typ.  $\pm$ 100ppm/°C
- Built-in Delay Time Circuit ..... Typ. 240ms
- Output Delay Time Accuracy .....  $\pm$ 15%
- Output Types ..... Nch Open Drain and CMOS
- Packages ..... DFN(PLP)1212-6, SC-88A, SOT-23-5

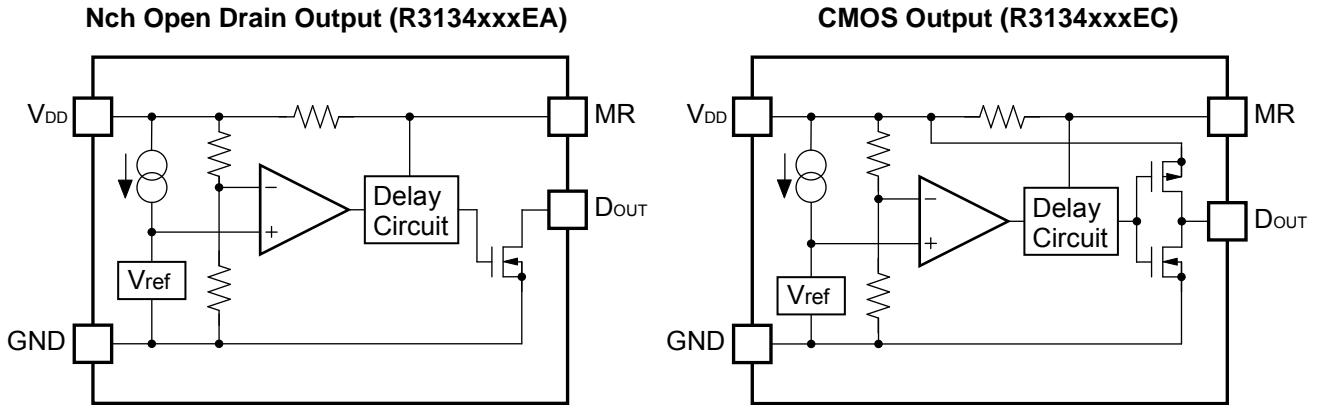
#### APPLICATIONS

- CPU and Logic Circuit Reset
- Battery Checker
- Window Comparator
- Wave Shaping Circuit
- Battery Back-up Circuit
- Power Failure Detector

\* R3134K (DFN(PLP)1212-6) and R3134Q (SC-88A) are the discontinued products as of March, 2016.

## R3134x

### BLOCK DIAGRAMS



### SELECTION GUIDE

The package type, the detector threshold, the output type and the taping type for the ICs can be selected at the users' request.

Product Name	Package	Quantity per Reel	Pb Free	Halogen Free
R3134KxxE*(y)-TR	DFN(PLP)1212-6	5,000 pcs	Yes	Yes
R3134QxxE*(y)-TR-FE	SC-88A	3,000 pcs	Yes	Yes
R3134NxxE*(y)-TR-FE	SOT-23-5	3,000 pcs	Yes	Yes

xx: The detector threshold can be designated in the range from 1.0V(10) to 5.0V(50) in 0.1V steps.

y: If the detector threshold includes the 3rd digit, indicate the digit of 0.01V.

(Example) If the detector threshold is 2.63V, R3134x26E\*3-TR-x

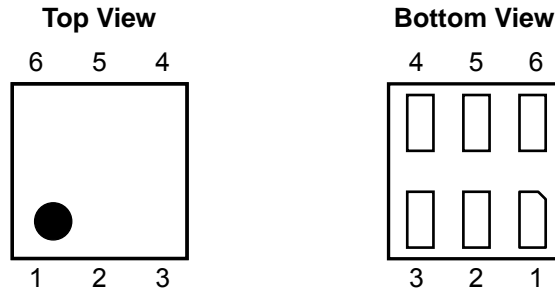
\* : Designation of Output Type

(A) Nch Open Drain

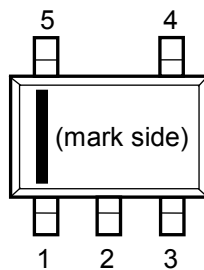
(C) CMOS

## PIN CONFIGURATIONS

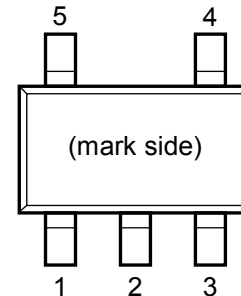
### • DFN(PLP)1212-6



### • SC-88A



### • SOT-23-5



## PIN DESCRIPTIONS

### • DFN(PLP)1212-6

Pin No.	Symbol	Description
1	V <sub>DD</sub>	Input Pin
2	NC	No Connection
3	GND	Ground Pin
4	D <sub>OUT</sub>	Output Pin ("L" at detection)
5	NC	No Connection
6	MR	Manual Reset Input Pin*

### • SC-88A

Pin No.	Symbol	Description
1	V <sub>DD</sub>	Input Pin
2	GND	Ground Pin
3	MR	Manual Reset Input Pin*
4	D <sub>OUT</sub>	Output Pin ("L" at detection)
5	NC	No Connection

### • SOT-23-5

Pin No.	Symbol	Description
1	D <sub>OUT</sub>	Output Pin ("L" at detection)
2	V <sub>DD</sub>	Input Pin
3	GND	Ground Pin
4	MR	Manual Reset Input Pin*
5	NC	No Connection

\*) MR pin is active at "L" input. Pulled up via 1MΩ (Typ.). If MR pin is not necessary, open this node, or connect it to V<sub>DD</sub>.

\* R3134K (DFN(PLP)1212-6) and R3134Q (SC-88A) are the discontinued products as of March, 2016.

## R3134x

### ABSOLUTE MAXIMUM RATINGS

Symbol	Item	Rating	Unit
$V_{DD}$	Supply Voltage	6.5	V
$V_{OUT}$	Output Voltage (Nch Open Drain Output)	$V_{SS}-0.3$ to 6.5	V
	Output Voltage (CMOS Output)	$V_{SS}-0.3$ to $V_{DD}+0.3$	
$V_{MR}$	Input Voltage	$V_{SS}-0.3$ to $V_{DD}+0.3$	V
$I_{OUT}$	Output Current	20	mA
$P_D$	Power Dissipation (DFN(PLP)1212-6)*	400	mW
	Power Dissipation (SC-88A)*	380	
	Power Dissipation (SOT-23-5)*	420	
$T_{opt}$	Operating Temperature Range	-40 to 85	°C
$T_{stg}$	Storage Temperature Range	-55 to 125	°C

\*) For Power Dissipation, please refer to PACKAGE INFORMATION.

#### ABSOLUTE MAXIMUM RATINGS

Electronic and mechanical stress momentarily exceeded absolute maximum ratings may cause the permanent damages and may degrade the life time and safety for both device and system using the device in the field. The functional operation at or over these absolute maximum ratings is not assured.

## ELECTRICAL CHARACTERISTICS

### • R3134x

The specification in  is checked and guaranteed by design engineering at  $-40^{\circ}\text{C} \leq T_{\text{opt}} \leq 85^{\circ}\text{C}$ .

$T_{\text{opt}}=25^{\circ}\text{C}$

Symbol	Item	Conditions	Min.	Typ.	Max.	Unit	
$V_{\text{DET}}$	Detector Threshold		$V_{\text{DET}} \times 0.982$		$V_{\text{DET}} \times 1.018$	V	
$I_{\text{SS1}}$	Supply Current1	$V_{\text{DD}}=V_{\text{DET}}-0.1\text{V}$ , $I_{\text{OUT}}=0\text{A}$			2.0	$\mu\text{A}$	
$I_{\text{SS2}}$	Supply Current2	$V_{\text{DD}}=V_{\text{DET}}+0.1\text{V}$ , $I_{\text{OUT}}=0\text{A}$			2.0	$\mu\text{A}$	
$I_{\text{SS3}}$	Supply Current3	$V_{\text{DD}}=6\text{V}$ , $I_{\text{OUT}}=0\text{A}$	$V_{\text{DET}} < 1.6\text{V}$			3.6	$\mu\text{A}$
			$1.6 \leq V_{\text{DET}} < 2.7\text{V}$			3.0	
			$2.7\text{V} \leq V_{\text{DET}}$			2.5	
$V_{\text{DD}}$	Operating Voltage	$T_{\text{opt}}=25^{\circ}\text{C}$	0.75		6.00	V	
		$-40^{\circ}\text{C} \leq T_{\text{opt}} \leq 85^{\circ}\text{C}$	<input type="checkbox"/> 0.85		<input type="checkbox"/> 6.00		
$V_{\text{OH}}$	"H" Output Voltage	Refer to the following table					
$V_{\text{OL}}$	"L" Output Voltage	Refer to the following table					
$V_{\text{IH}}$	MR pin "H" Input Voltage	$V_{\text{DD}} \geq V_{\text{DET}}+0.1\text{V}$	$0.75 \times V_{\text{DD}}$			V	
$V_{\text{IL}}$	MR pin "L" Input Voltage	$V_{\text{DD}} \geq V_{\text{DET}}+0.1\text{V}$			$0.2 \times V_{\text{DD}}$	V	
$R_{\text{MR}}$	MR pin pull-up Resistance	$T_{\text{opt}}=25^{\circ}\text{C}$	0.5	1.0	4.0	$\text{M}\Omega$	
$\frac{\Delta V_{\text{DET}}}{\Delta T_{\text{opt}}}$	Detector Threshold Temperature Coefficient	$-40^{\circ}\text{C} \leq T_{\text{opt}} \leq 85^{\circ}\text{C}$		$\pm 100$		$\frac{\text{ppm}}{^{\circ}\text{C}}$	
$t_{\text{reset}}$	Output Delay Time for detect *	$V_{\text{DD}}=V_{\text{DET}} \rightarrow V_{\text{DET}}-0.1\text{V}$		15		$\mu\text{s}$	
$t_{\text{delay}}$	Output Delay Time for release	$V_{\text{DD}}=0.8\text{V} \rightarrow V_{\text{DET}}+1.0$	204	240	276	ms	

\*) Guaranteed by design, not mass production tested.

#### RECOMMENDED OPERATING CONDITIONS (ELECTRICAL CHARACTERISTICS)

All of electronic equipment should be designed that the mounted semiconductor devices operate within the recommended operating conditions. The semiconductor devices cannot operate normally over the recommended operating conditions, even if when they are used over such conditions by momentary electronic noise or surge. And the semiconductor devices may receive serious damage when they continue to operate over the recommended operating conditions.

\* R3134K (DFN(PLP)1212-6) and R3134Q (SC-88A) are the discontinued products as of March, 2016.

## R3134x

### • "H" Output Voltage ( $V_{OH}$ ) table

$T_{opt}=25^{\circ}\text{C}$

Products	Detector Threshold $V_{DET}$ (V)	"H" Output Voltage $V_{OH}$ (V)			
		Conditions	Min.	Typ.	Max.
R3134xxxEC	$V_{DET} < 1.2\text{V}$	$V_{DD}=V_{DET}+0.1\text{V}$ , $I_{OH}=50\mu\text{A}$	0.8× $V_{DD}$		
	$1.2\text{V} \leq V_{DET} < 2.0\text{V}$	$V_{DD}=V_{DET}+0.1\text{V}$ , $I_{OH}=150\mu\text{A}$			
	$2.0\text{V} \leq V_{DET} < 3.1\text{V}$	$V_{DD}=V_{DET}+0.1\text{V}$ , $I_{OH}=500\mu\text{A}$			
	$3.1\text{V} \leq V_{DET}$	$V_{DD}=V_{DET}+0.1\text{V}$ , $I_{OH}=800\mu\text{A}$			

$V_{DET}$  is a set value.

### • "L" Output Voltage ( $V_{OL}$ ) table

$T_{opt}=25^{\circ}\text{C}$

Products	Detector Threshold $V_{DET}$ (V)	"L" Output Voltage $V_{OL}$ (V)			
		Conditions	Min.	Typ.	Max.
R3134xxxEx	$V_{DET} < 1.2\text{V}$	$V_{DD}=V_{DET}-0.1\text{V}$ , $I_{OL}=200\mu\text{A}$			0.04
	$1.2\text{V} \leq V_{DET} < 2.0\text{V}$	$V_{DD}=V_{DET}-0.1\text{V}$ , $I_{OL}=750\mu\text{A}$			0.06
	$2.0\text{V} \leq V_{DET} < 3.1\text{V}$	$V_{DD}=V_{DET}-0.1\text{V}$ , $I_{OL}=1.2\text{mA}$			0.05
	$3.1\text{V} \leq V_{DET}$	$V_{DD}=V_{DET}-0.1\text{V}$ , $I_{OL}=3.2\text{mA}$			0.06

$V_{DET}$  is a set value.

\* R3134K (DFN(PLP)1212-6) and R3134Q (SC-88A) are the discontinued products as of March, 2016.

R3134x

## DETECTOR THRESHOLD SPECIFICATIONS BY PART NUMBER

### • R3134x

Part Number	Operating Voltage				Detector Threshold			Supply Current 1			
	VDD [V]				VDET [V]			ISS1 [μA]			
	Conditions	Min.	Conditions	Min.	Min.	Typ.	Max.	Conditions	Typ.	Max.	
R3134x23Ex2	Topt=25°C	0.75	-40°C ≤ Topt ≤ 85°C	0.85	2.278	2.320	2.362	VDD=VDET-0.1V IOUT=0A	0.8	2.0	
R3134x26Ex3					2.583	2.630	2.677				
R3134x29Ex3					2.877	2.930	2.983				
R3134x30Ex8					3.025	3.080	3.135				
R3134x43Ex8					4.301	4.380	4.459				
R3134x46Ex3					4.547	4.630	4.713				
R3134x10Ex	Topt=25°C	0.75	-40°C ≤ Topt ≤ 85°C	0.85	0.982	1.000	1.018	VDD=VDET-0.1V IOUT=0A	0.8	2.0	
R3134x11Ex					1.080	1.100	1.120				
R3134x12Ex					1.178	1.200	1.222				
R3134x13Ex					1.277	1.300	1.323				
R3134x14Ex					1.375	1.400	1.425				
R3134x15Ex					1.473	1.500	1.527				
R3134x16Ex					1.571	1.600	1.629				
R3134x17Ex					1.669	1.700	1.731				
R3134x18Ex					1.768	1.800	1.832				
R3134x19Ex					1.866	1.900	1.934				
R3134x20Ex					1.964	2.000	2.036				
R3134x21Ex					2.062	2.100	2.138				
R3134x22Ex					2.160	2.200	2.240				
R3134x23Ex					2.259	2.300	2.341				
R3134x24Ex					2.357	2.400	2.443				
R3134x25Ex					2.455	2.500	2.545				
R3134x26Ex					2.553	2.600	2.647				
R3134x27Ex					2.651	2.700	2.749				
R3134x28Ex					2.750	2.800	2.850				
R3134x29Ex					2.848	2.900	2.952				
R3134x30Ex					2.946	3.000	3.054		VDD=VDET-0.1V IOUT=0A		0.9
R3134x31Ex					3.044	3.100	3.156				
R3134x32Ex					3.142	3.200	3.258				
R3134x33Ex					3.241	3.300	3.359				
R3134x34Ex					3.339	3.400	3.461				
R3134x35Ex					3.437	3.500	3.563				
R3134x36Ex					3.535	3.600	3.665				
R3134x37Ex					3.633	3.700	3.767				
R3134x38Ex					3.732	3.800	3.868				
R3134x39Ex					3.830	3.900	3.970				
R3134x40Ex					3.928	4.000	4.072				
R3134x41Ex					4.026	4.100	4.174				
R3134x42Ex					4.124	4.200	4.276				
R3134x43Ex					4.223	4.300	4.377				
R3134x44Ex	4.321	4.400	4.479								
R3134x45Ex	4.419	4.500	4.581								
R3134x46Ex	4.517	4.600	4.683								
R3134x47Ex	4.615	4.700	4.785								
R3134x48Ex	4.714	4.800	4.886								
R3134x49Ex	4.812	4.900	4.988								
R3134x50Ex	4.910	5.000	5.090								

\* R3134K (DFN(PLP)1212-6) and R3134Q (SC-88A) are the discontinued products as of March, 2016.

**R3134x**

Supply Current 2			Supply Current 3			"H" Output Voltage	
Iss2 [ $\mu$ A]			Iss3 [ $\mu$ A]			Voh [V]	
Conditions	Typ.	Max.	Conditions	Typ.	Max.	Conditions	Min.
VDD=VDET+0.1V IOUT=0A	0.8	2.0	VDD=6.0V IOUT=0A	1.2	3.0	VDD=VDET+0.1V IOH=500 $\mu$ A	0.8 $\times$ VDD
				1.0	2.5	VDD=VDET+0.1V IOH=800 $\mu$ A	
VDD=VDET+0.1V IOUT=0A	0.8	2.0	VDD=6.0V IOUT=0A	1.4	3.6	VDD=VDET+0.1V IOH=50 $\mu$ A	0.8 $\times$ VDD
						VDD=VDET+0.1V IOH=150 $\mu$ A	
				1.2	3.0	VDD=VDET+0.1V IOH=500 $\mu$ A	
						VDD=VDET+0.1V IOH=800 $\mu$ A	
				1.0	2.5	VDD=VDET+0.1V IOH=800 $\mu$ A	
						0.8	



\* R3134K (DFN(PLP)1212-6) and R3134Q (SC-88A) are the discontinued products as of March, 2016.

**R3134x**

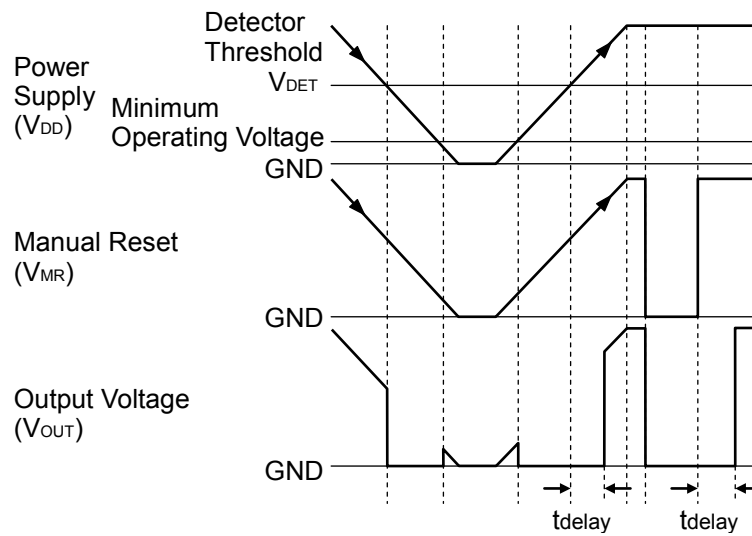
Part Number	"L" Output Voltage		MR pin "H" Input Voltage		MR pin "L" Input Voltage		MR pin pull-up resistance			
	VoL [V]		VIH [V]		VIL [V]		RMR [MΩ]			
	Conditions	Max.	Conditions	Min.	Conditions	Max.	Conditions	Min.	Typ.	Max.
R3134x23Ex2	VDD=VDET-0.1V IOL=1.2mA	0.05	VDD ≥ VDET+0.1	0.75× VDD	VDD ≥ VDET+0.1	0.2× VDD	Topt=25°C	0.5	1.0	4.0
R3134x26Ex3										
R3134x29Ex3										
R3134x30Ex8										
R3134x43Ex8	VDD=VDET-0.1V IOL=3.2mA	0.06	VDD ≥ VDET+0.1	0.75× VDD	VDD ≥ VDET+0.1	0.2× VDD	Topt=25°C	0.5	1.0	4.0
R3134x46Ex3										
R3134x10Ex	VDD=VDET-0.1V IOL=200μA	0.04	VDD ≥ VDET+0.1	0.75× VDD	VDD ≥ VDET+0.1	0.2× VDD	Topt=25°C	0.5	1.0	4.0
R3134x11Ex										
R3134x12Ex	VDD=VDET-0.1V IOL=750μA	0.06	VDD ≥ VDET+0.1	0.75× VDD	VDD ≥ VDET+0.1	0.2× VDD	Topt=25°C	0.5	1.0	4.0
R3134x13Ex										
R3134x14Ex										
R3134x15Ex										
R3134x16Ex										
R3134x17Ex										
R3134x18Ex										
R3134x19Ex										
R3134x20Ex	VDD=VDET-0.1V IOL=1.2mA	0.05	VDD ≥ VDET+0.1	0.75× VDD	VDD ≥ VDET+0.1	0.2× VDD	Topt=25°C	0.5	1.0	4.0
R3134x21Ex										
R3134x22Ex										
R3134x23Ex										
R3134x24Ex										
R3134x25Ex										
R3134x26Ex										
R3134x27Ex										
R3134x28Ex										
R3134x29Ex										
R3134x30Ex	VDD=VDET-0.1V IOL=3.2mA	0.06	VDD ≥ VDET+0.1	0.75× VDD	VDD ≥ VDET+0.1	0.2× VDD	Topt=25°C	0.5	1.0	4.0
R3134x31Ex										
R3134x32Ex										
R3134x33Ex										
R3134x34Ex										
R3134x35Ex										
R3134x36Ex										
R3134x37Ex										
R3134x38Ex										
R3134x39Ex										
R3134x40Ex										
R3134x41Ex										
R3134x42Ex										
R3134x43Ex										
R3134x44Ex										
R3134x45Ex										
R3134x46Ex										
R3134x47Ex										
R3134x48Ex										
R3134x49Ex										
R3134x50Ex										

\* R3134K (DFN(PLP)1212-6) and R3134Q (SC-88A) are the discontinued products as of March, 2016.

## R3134x

Output Delay Time for Release				Detector Threshold Temperature Coefficient	
t <sub>delay</sub> [ms]				$\Delta V_{DET}/\Delta T_{opt}$ [ppm/°C]	
Conditions	Min.	Typ.	Max.	Conditions	Typ.
V <sub>DD</sub> =0.8V→ V <sub>DET</sub> +1.0V T <sub>opt</sub> =25°C	204	240	276	-40°C ≤ T <sub>opt</sub> ≤ 85°C	±100
V <sub>DD</sub> =0.8V→ V <sub>DET</sub> +1.0V T <sub>opt</sub> =25°C	204	240	276	-40°C ≤ T <sub>opt</sub> ≤ 85°C	±100

## TIMING CHART



R3134x Operating Diagram

## DEFINITION OF OUTPUT DELAY TIME

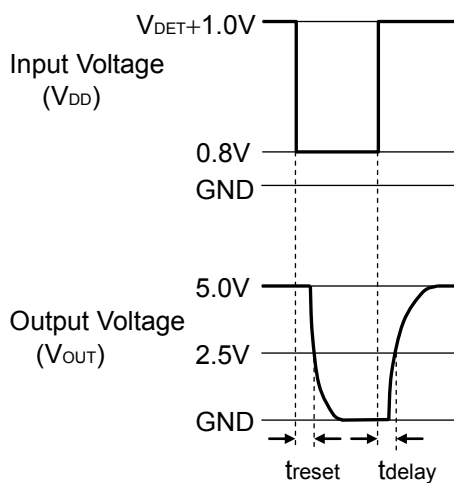
Output Delay Time ( $t_{delay}$ ) is specified as follows:

1. In the case of Nch Open Drain Output:

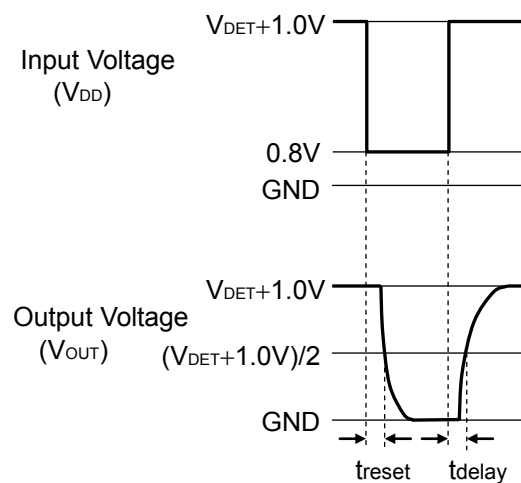
The time interval from rising edge of  $V_{DD}$  pulse 0.8V to  $V_{DET}+1.0V$  to the time at which the output reaches 2.5V under the condition that the output pin ( $D_{OUT}$ ) is pulled up to 5V through a 470k $\Omega$  resistor.

2. In the case of CMOS Output:

The time interval from rising edge of  $V_{DD}$  pulse 0.8V to  $V_{DET}+1.0V$  to the time at the output reaches  $(V_{DET}+1.0V)/2$ .



Nch Open Drain Output  
(R3134xxxEA)

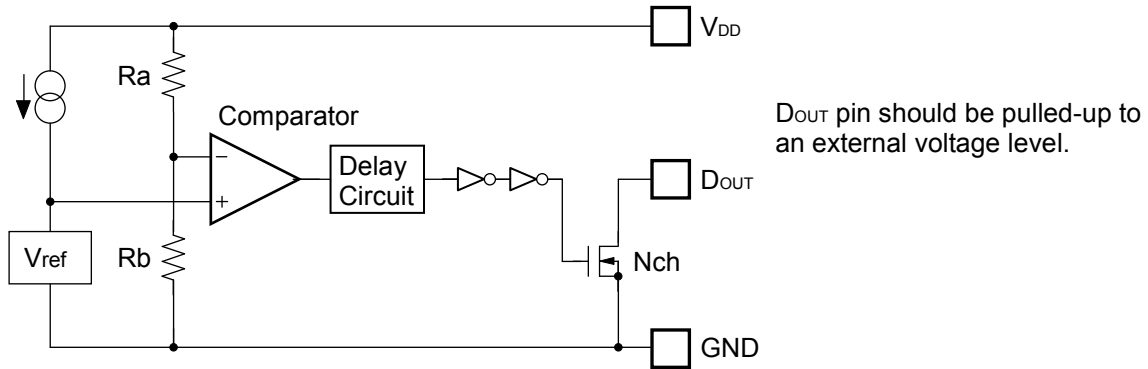


CMOS Output  
(R3134xxxEC)

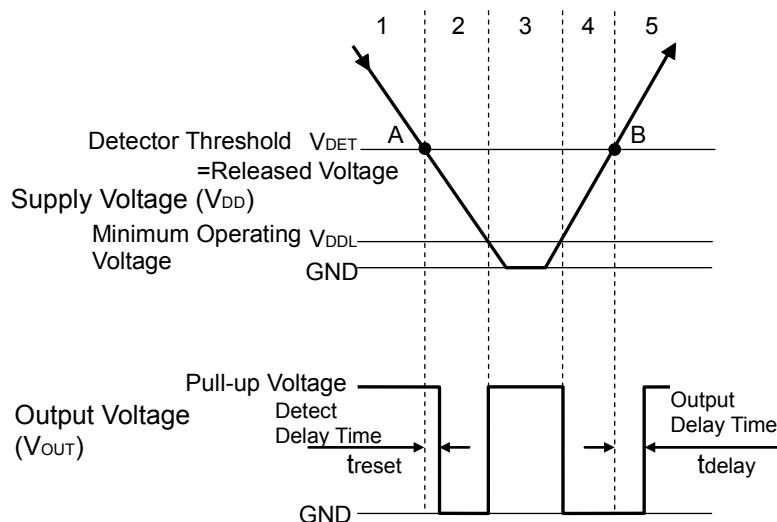
## R3134x

## OPERATION

### • Operation of R3134xxxEA



Block Diagram



Operation Diagram

### • Explanation of operation

Step 1. The output voltage is equal to the pull-up voltage.

Step 2. At Point "A",  $V_{ref} \geq V_{DD} \times R_b / (R_a + R_b)$  is true, as a result, the output of comparator is reversed from "L" to "H", therefore the output voltage becomes the GND level. The voltage level of Point A means a detector threshold voltage ( $V_{DET}$ ).

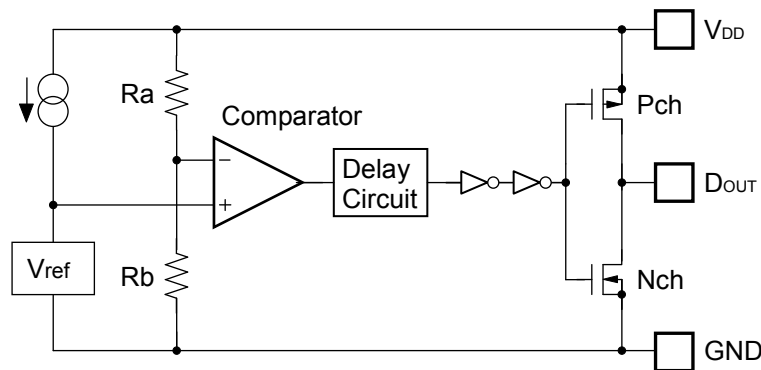
Step 3. When the supply voltage is lower than the minimum operating voltage, the operation of the output transistor becomes indefinite. The output voltage is equal to the pull-up voltage.

Step 4. The output voltage is equal to the GND level.

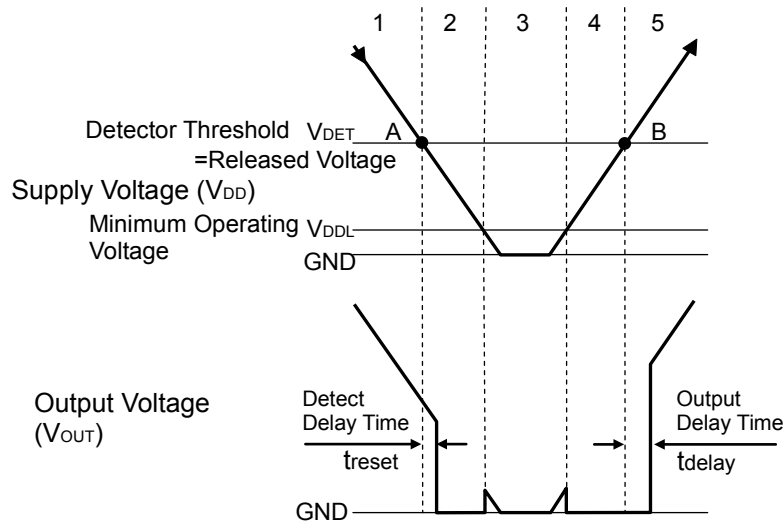
Step 5. At Point "B",  $V_{ref} \leq V_{DD} \times R_b / (R_a + R_b)$  is true, as a result, the output of comparator is reversed from "H" to "L", then the output voltage is equal to the pull-up voltage. The voltage level of Point B means a released voltage ( $V_{DET}$ ).

\*) There is no hysteresis range between the detector threshold and the released voltage.

• Operation of R3134xxxEC



Block Diagram



Operation Diagram

• Explanation of operation

Step 1. The output voltage is equal to the supply voltage ( $V_{DD}$ ).

Step 2. At Point "A",  $V_{ref} \geq V_{DD} \times R_b / (R_a + R_b)$  is true, as a result, the output of comparator is reversed from "L" to "H", therefore the output voltage becomes the GND level. The voltage level of Point A means a detector threshold voltage ( $V_{DET}$ ).

Step 3. When the supply voltage is lower than the minimum operating voltage, the operation of the output transistor becomes indefinite.

Step 4. The output voltage is equal to the GND level.

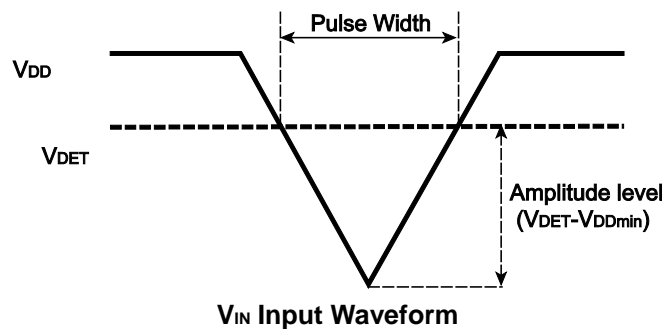
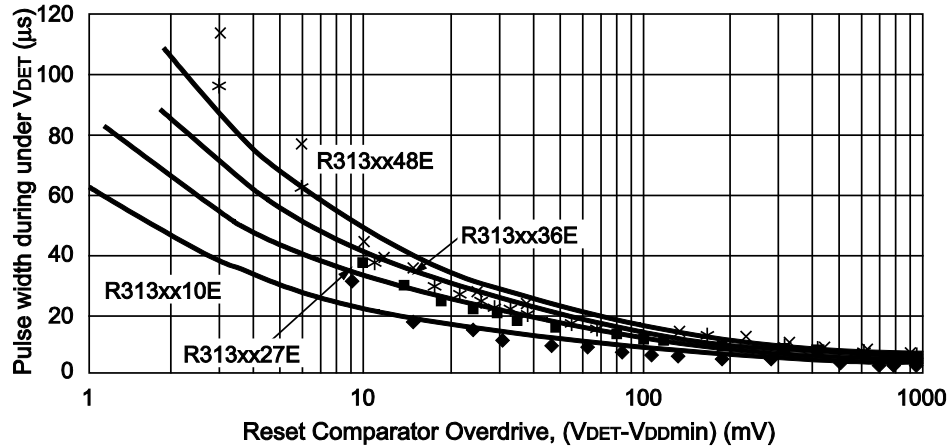
Step 5. At Point "B",  $V_{ref} \leq V_{DD} \times R_b / (R_a + R_b)$  is true, as a result, the output of comparator is reversed from "H" to "L", then the output voltage is equal to the supply voltage ( $V_{DD}$ ). The voltage level of Point B means a released voltage ( $V_{DET}$ ).

\*) There is no hysteresis range between the detector threshold and the released voltage.

## R3134x

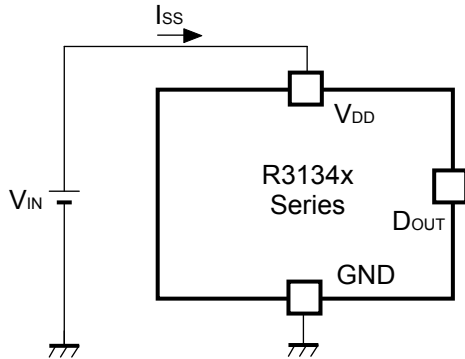
### Detector Operation vs. glitch input voltage to the V<sub>DD</sub> pin

When the IC is released and a large pulse (glitch) crosses the detector threshold is forced, the IC may not maintain the released condition. The amplitude of the pulse ( $V_{DET}-V_{DDmin}$ ) and the pulse width the IC can maintain the released level is described in the graph as follows:

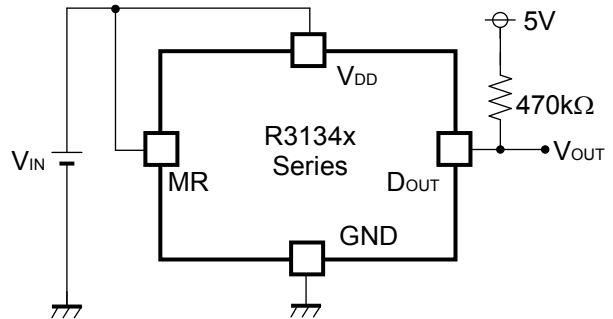


The graph above shows the condition for the maximum transient duration without generating a reset. If the larger amplitude or larger pulse width noise than the graph may be on the  $V_{DD}$ , the reset signal may be generated.

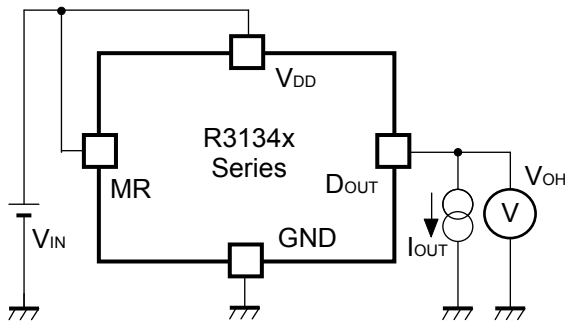
## TEST CIRCUITS



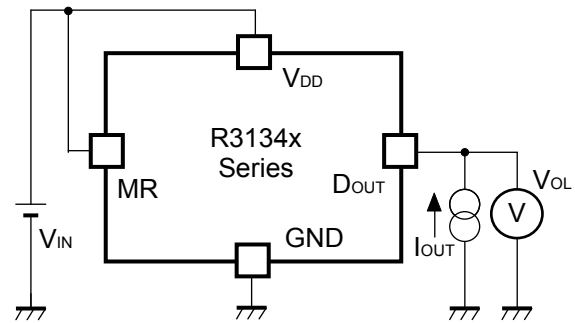
**Supply Current Test Circuit**



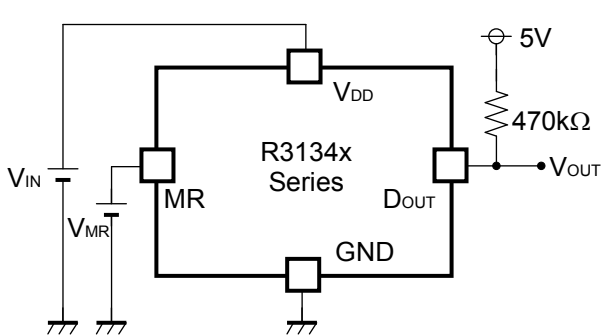
**Detector Threshold Test Circuit**  
(Pull-up circuit is not necessary for CMOS Output type.)



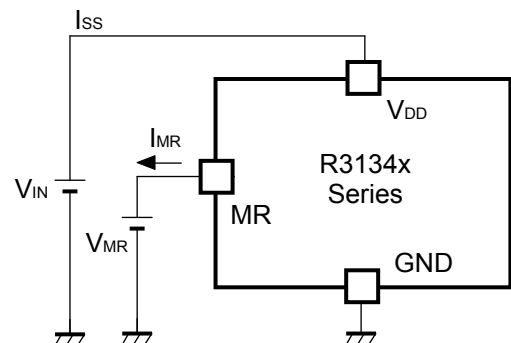
**"H" Output Voltage Test Circuit**  
(CMOS Output Type only)



**"L" Output Voltage Test Circuit**



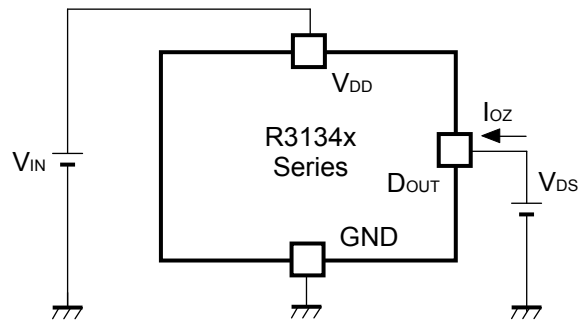
**MR pin Input Voltage Test Circuit**  
(Pull-up circuit is not necessary for CMOS Output type.)



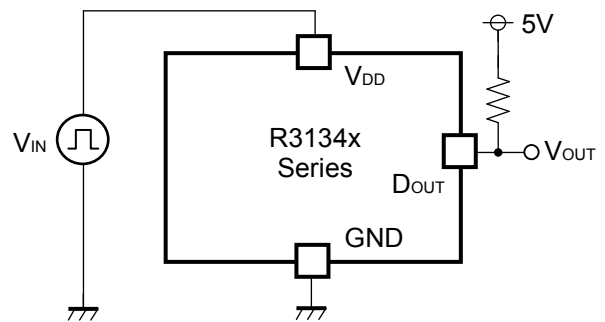
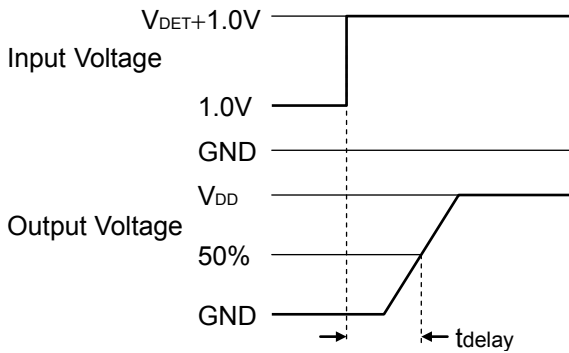
**MR pin Pull-up Resistance Test Circuit**

\* R3134K (DFN(PLP)1212-6) and R3134Q (SC-88A) are the discontinued products as of March, 2016.

## R3134x



**Off Leakage Current Test Circuit**



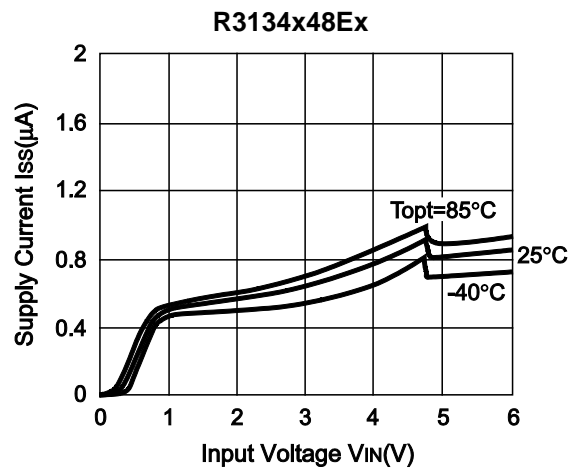
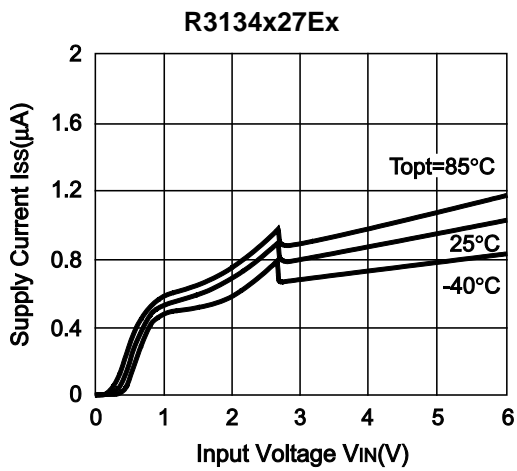
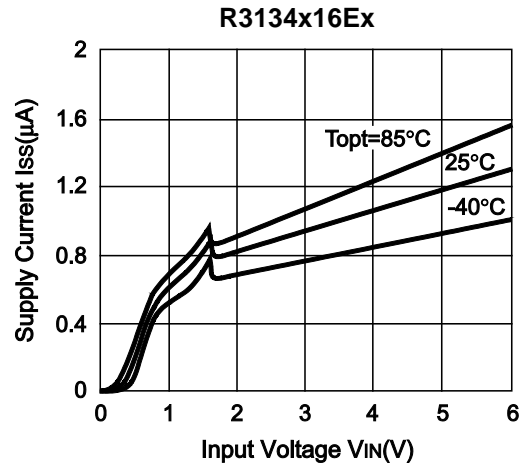
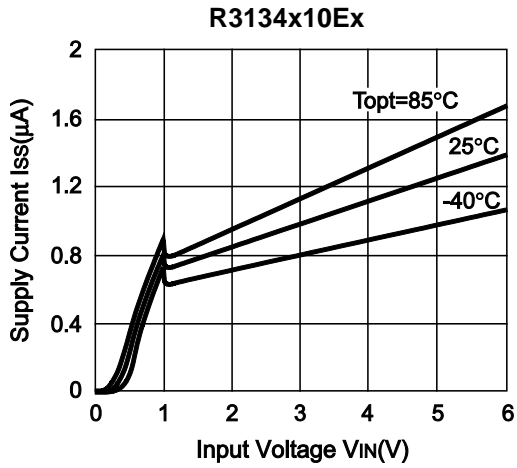
**Output Delay Time Test Circuit**

(Pull-up circuit is not necessary for CMOS Output type.)

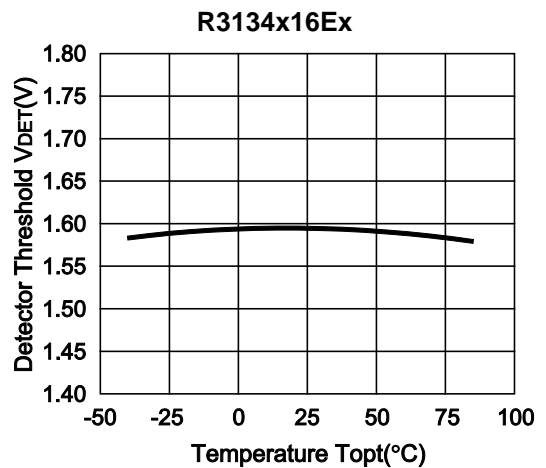
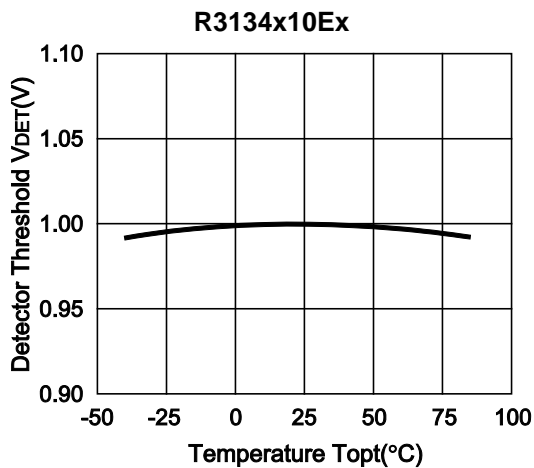


## TYPICAL CHARACTERISTICS

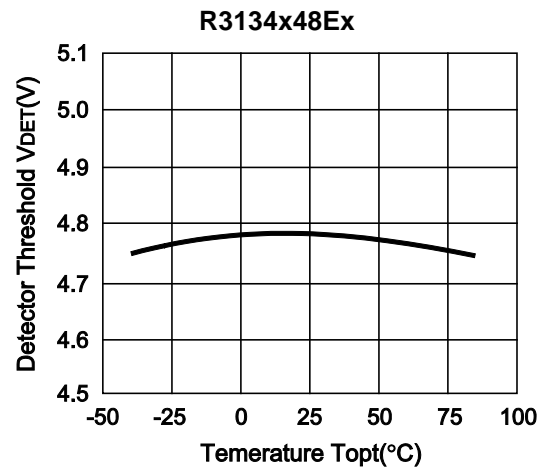
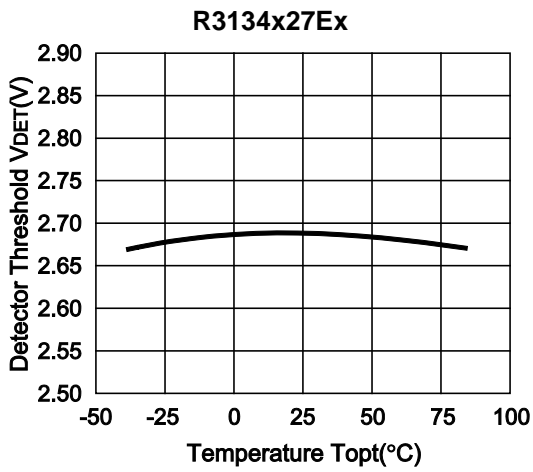
### 1) Supply Current vs. Input Voltage



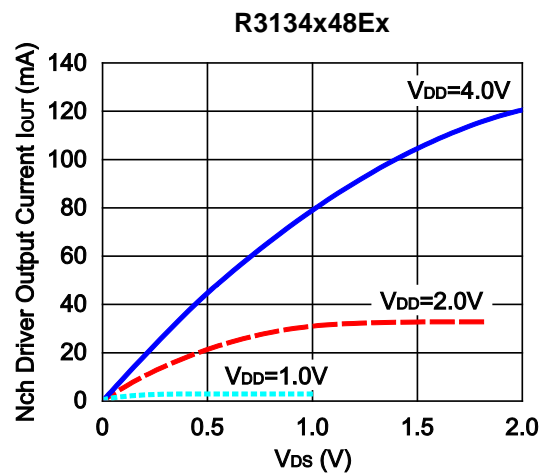
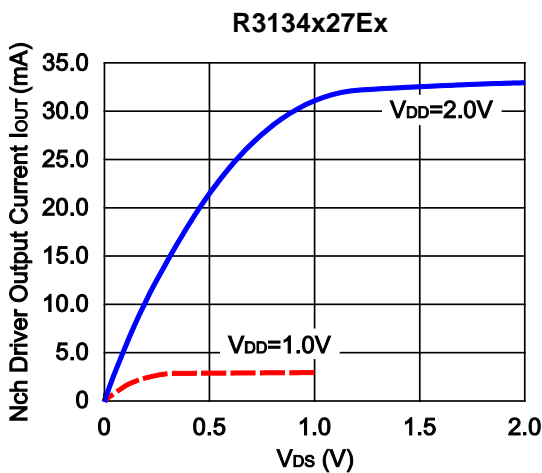
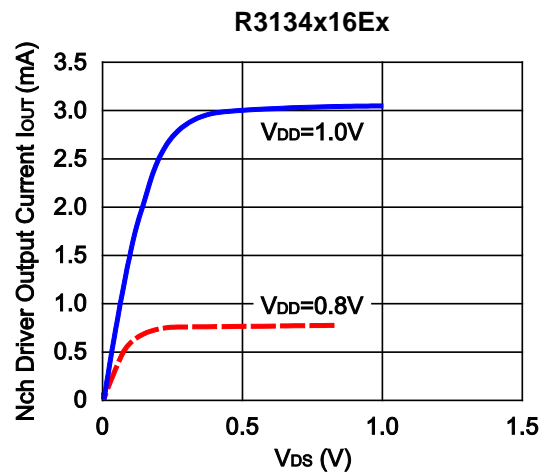
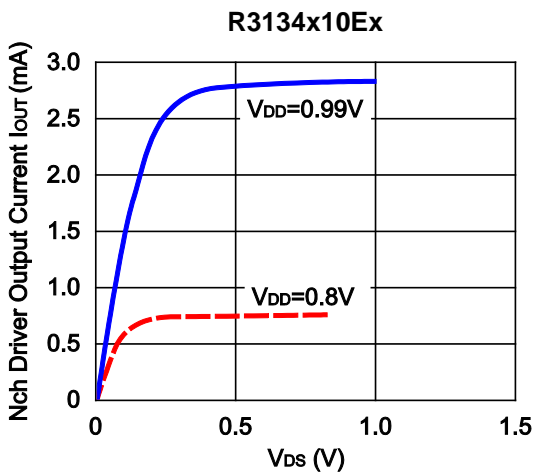
### 2) Detector Threshold vs. Temperature



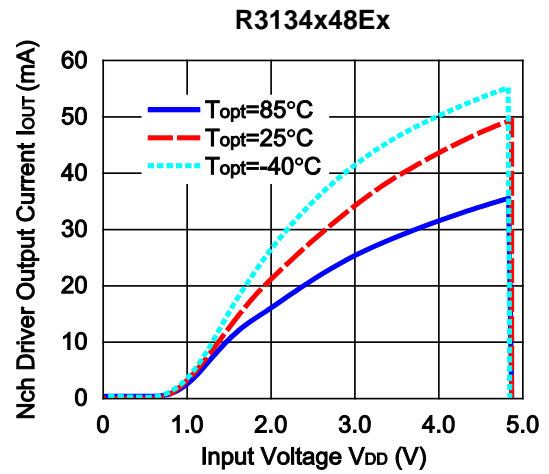
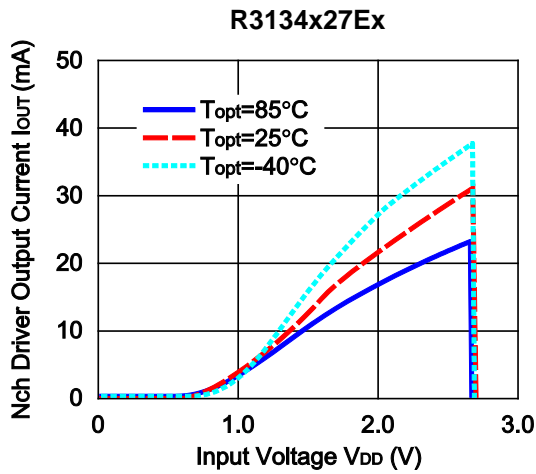
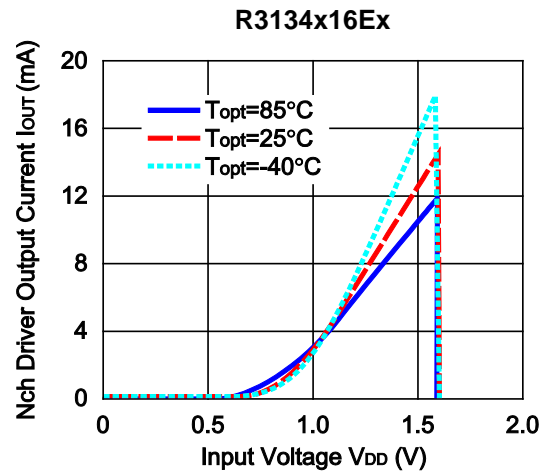
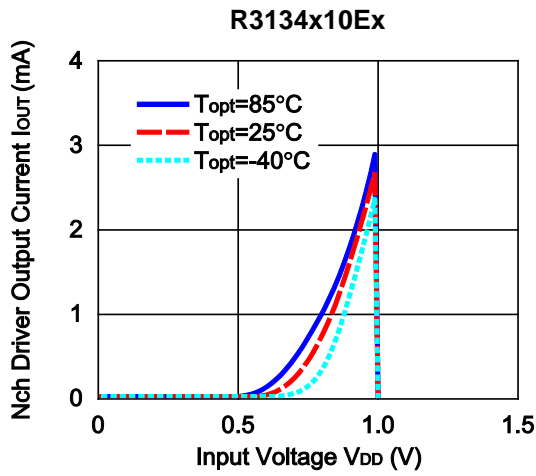
## R3134x



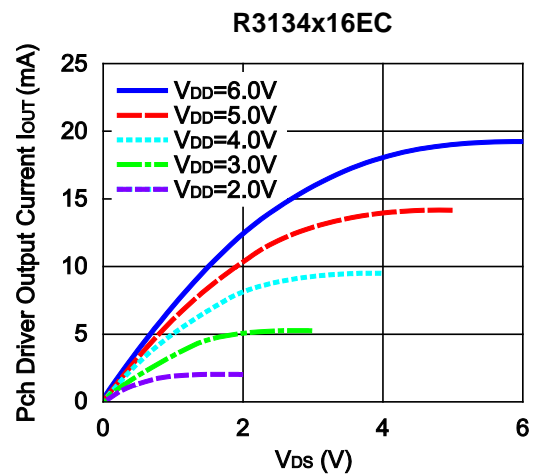
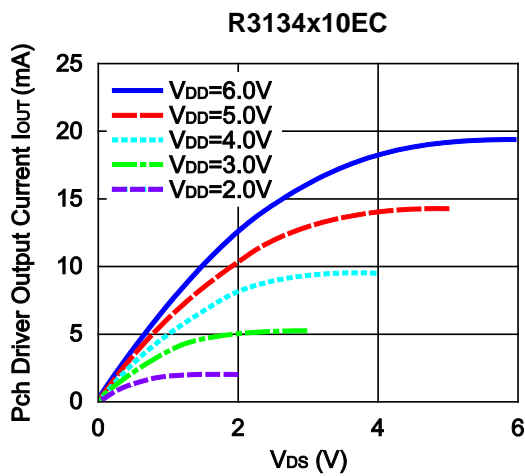
### 3) Nch Driver Output Current vs. V<sub>DS</sub> (T<sub>opt</sub>=25°C)



4) Nch Driver Output Current vs. Input Voltage

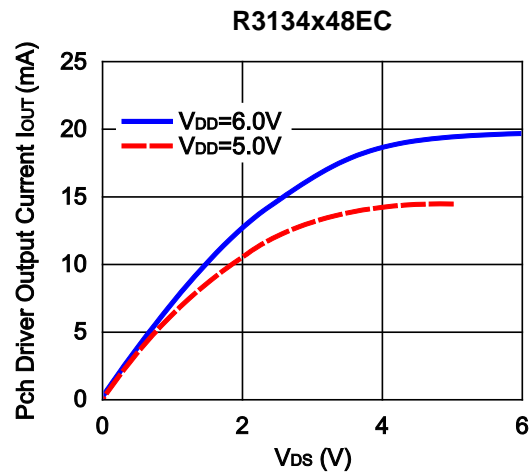
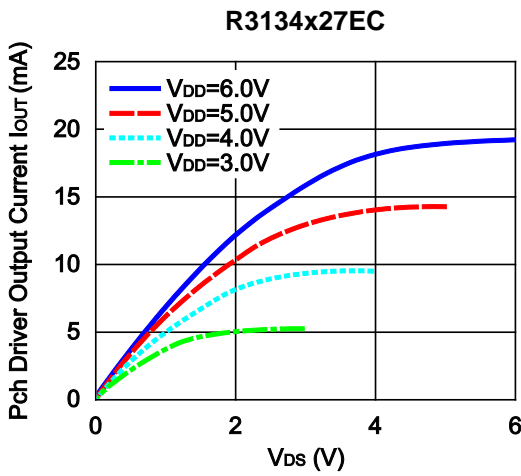


5) Pch Driver Output Current vs. V<sub>DS</sub>

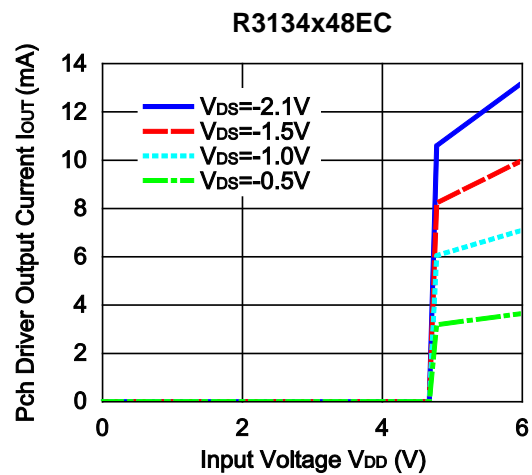
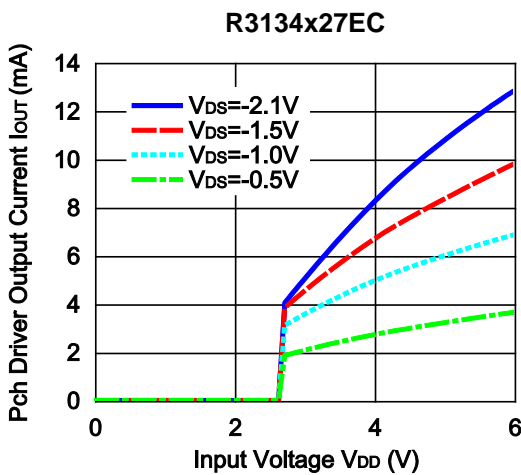
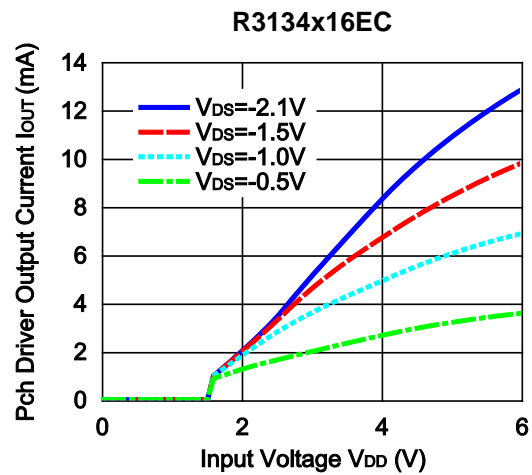
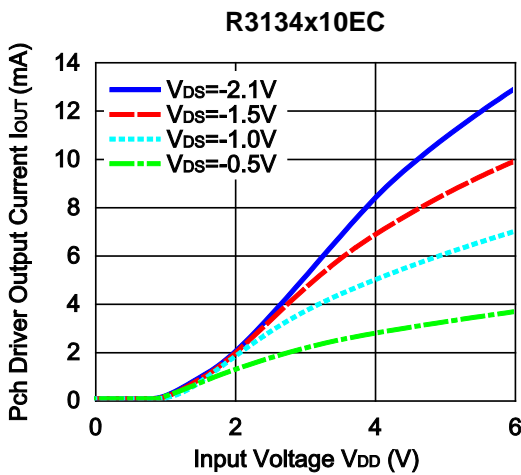


\* R3134K (DFN(PLP)1212-6) and R3134Q (SC-88A) are the discontinued products as of March, 2016.

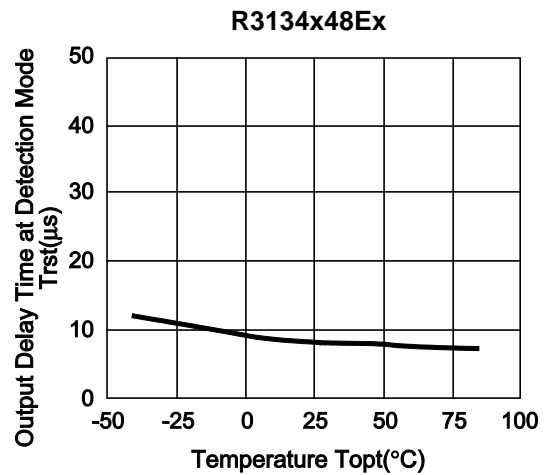
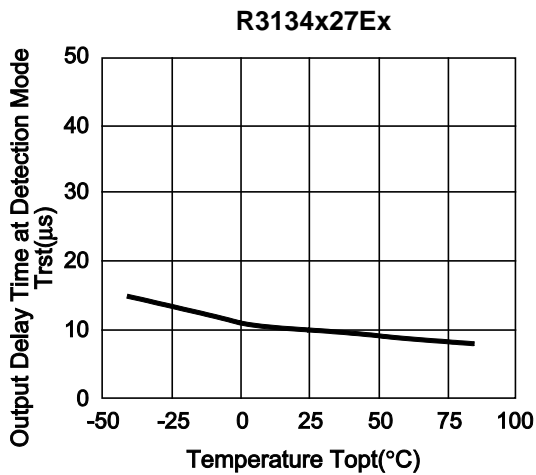
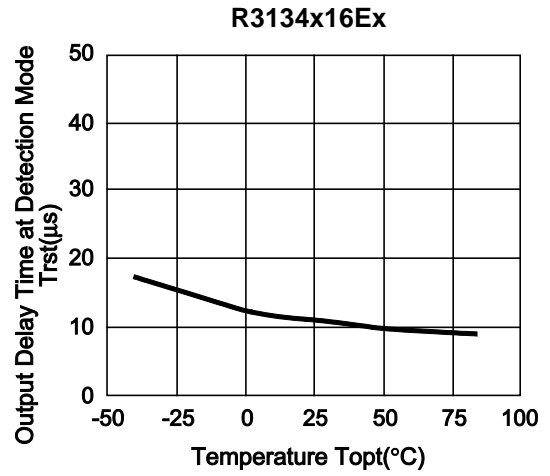
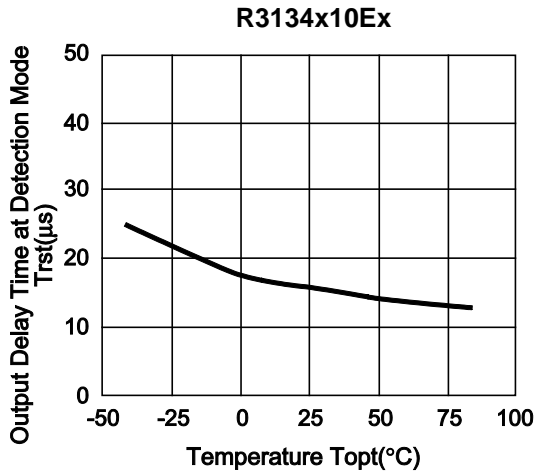
## R3134x



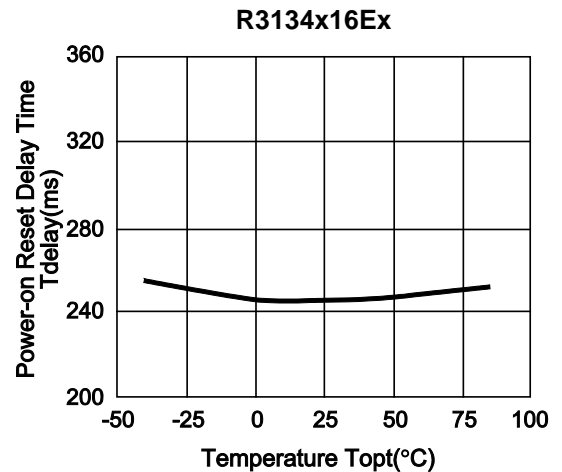
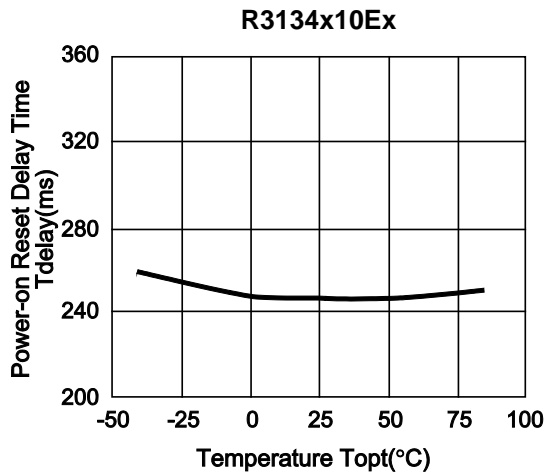
### 6) Pch Driver Output Current vs. Input Voltage



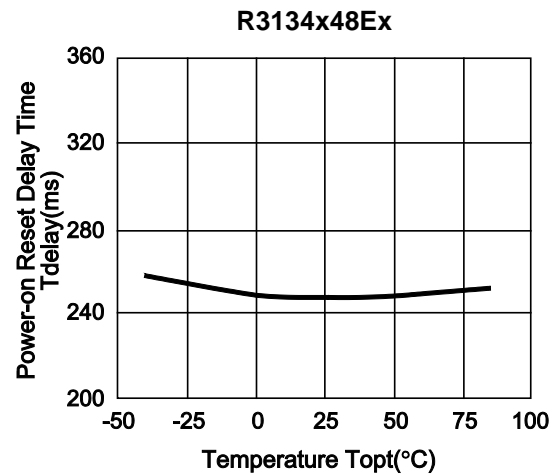
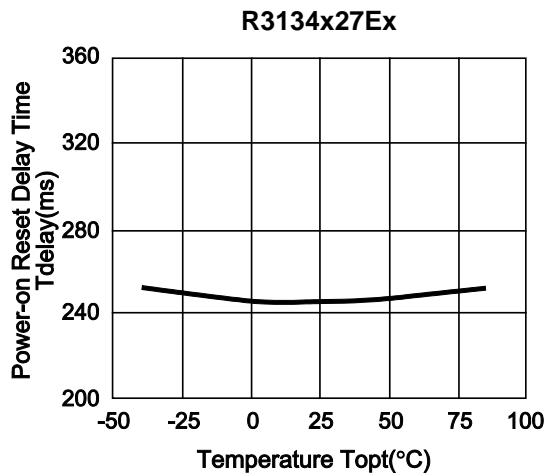
7) Output Delay Time at Detection Mode vs. Temperature



8) Power-on Reset Delay Time vs. Temperature



## R3134x



## TECHNICAL NOTES

### When connecting resistors to the device's input pin

When connecting a resistor (R1) to an input of this device, the input voltage decreases by [Device's Consumption Current] x [Resistance Value] only. And, the cross conduction current\*<sup>1</sup>, which occurs when changing from the detecting state to the release state, is decreased the input voltage by [Cross Conduction Current] x [Resistance Value] only. And then, this device will enter the re-detecting state if the input voltage reduction is larger than the difference between the detector voltage and the released voltage.

When the input resistance value is large and the VDD is gone up at mildly in the vicinity of the released voltage, repeating the above operation may result in the occurrence of output.

As shown in Figure A/B, set R1 to become 100 kΩ or less as a guide, and connect C<sub>IN</sub> of 0.1 μF and more to between the input pin and GND. Besides, make evaluations including temperature properties under the actual usage condition, with using the evaluation board like this way. As a result, make sure that the cross conduction current has no problem.

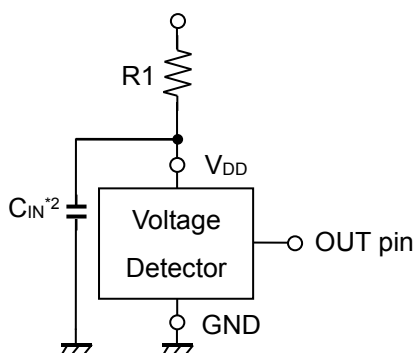


Figure A

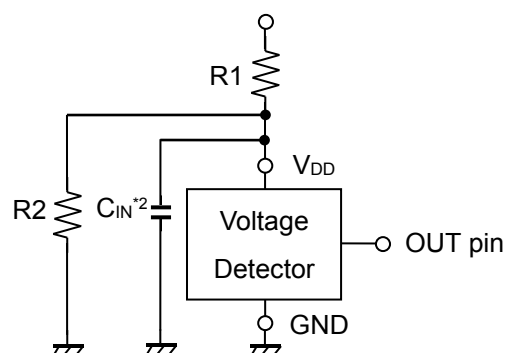


Figure B

\*<sup>1</sup> In the CMOS output type, a charging current for OUT pin is included.

\*<sup>2</sup> Note the bias dependence of capacitors.



1. The products and the product specifications described in this document are subject to change or discontinuation of production without notice for reasons such as improvement. Therefore, before deciding to use the products, please refer to Ricoh sales representatives for the latest information thereon.
2. The materials in this document may not be copied or otherwise reproduced in whole or in part without prior written consent of Ricoh.
3. Please be sure to take any necessary formalities under relevant laws or regulations before exporting or otherwise taking out of your country the products or the technical information described herein.
4. The technical information described in this document shows typical characteristics of and example application circuits for the products. The release of such information is not to be construed as a warranty of or a grant of license under Ricoh's or any third party's intellectual property rights or any other rights.
5. The products listed in this document are intended and designed for use as general electronic components in standard applications (office equipment, telecommunication equipment, measuring instruments, consumer electronic products, amusement equipment etc.). Those customers intending to use a product in an application requiring extreme quality and reliability, for example, in a highly specific application where the failure or misoperation of the product could result in human injury or death (aircraft, spacevehicle, nuclear reactor control system, traffic control system, automotive and transportation equipment, combustion equipment, safety devices, life support system etc.) should first contact us.
6. We are making our continuous effort to improve the quality and reliability of our products, but semiconductor products are likely to fail with certain probability. In order to prevent any injury to persons or damages to property resulting from such failure, customers should be careful enough to incorporate safety measures in their design, such as redundancy feature, fire containment feature and fail-safe feature. We do not assume any liability or responsibility for any loss or damage arising from misuse or inappropriate use of the products.
7. Anti-radiation design is not implemented in the products described in this document.
8. The X-ray exposure can influence functions and characteristics of the products. Confirm the product functions and characteristics in the evaluation stage.
9. WLCSP products should be used in light shielded environments. The light exposure can influence functions and characteristics of the products under operation or storage.
10. There can be variation in the marking when different AOI (Automated Optical Inspection) equipment is used. In the case of recognizing the marking characteristic with AOI, please contact Ricoh sales or our distributor before attempting to use AOI.
11. Please contact Ricoh sales representatives should you have any questions or comments concerning the products or the technical information.



**Ricoh is committed to reducing the environmental loading materials in electrical devices with a view to contributing to the protection of human health and the environment.**

Ricoh has been providing RoHS compliant products since April 1, 2006 and Halogen-free products since April 1, 2012.

**RICOH** RICOH ELECTRONIC DEVICES CO., LTD.

<https://www.e-devices.ricoh.co.jp/en/>

#### Sales & Support Offices

##### **Ricoh Electronic Devices Co., Ltd.**

##### **Shin-Yokohama Office (International Sales)**

2-3, Shin-Yokohama 3-chome, Kohoku-ku, Yokohama-shi, Kanagawa, 222-8530, Japan  
Phone: +81-50-3814-7687 Fax: +81-45-474-0074

##### **Ricoh Americas Holdings, Inc.**

675 Campbell Technology Parkway, Suite 200 Campbell, CA 95008, U.S.A.  
Phone: +1-408-610-3105

##### **Ricoh Europe (Netherlands) B.V.**

##### **Semiconductor Support Centre**

Prof. W.H. Keesomlaan 1, 1183 DJ Amstelveen, The Netherlands  
Phone: +31-20-5474-309

##### **Ricoh International B.V. - German Branch**

##### **Semiconductor Sales and Support Centre**

Oberrather Strasse 6, 40472 Düsseldorf, Germany  
Phone: +49-211-6546-0

##### **Ricoh Electronic Devices Korea Co., Ltd.**

3F, Haesung Bldg, 504, Teheran-ro, Gangnam-gu, Seoul, 135-725, Korea  
Phone: +82-2-2135-5700 Fax: +82-2-2051-5713

##### **Ricoh Electronic Devices Shanghai Co., Ltd.**

Room 403, No.2 Building, No.690 Bibo Road, Pu Dong New District, Shanghai 201203,  
People's Republic of China  
Phone: +86-21-5027-3200 Fax: +86-21-5027-3299

##### **Ricoh Electronic Devices Shanghai Co., Ltd.**

##### **Shenzhen Branch**

1205, Block D (Jinlong Building), Kingkey 100, Hongbao Road, Luohu District,  
Shenzhen, China  
Phone: +86-755-8348-7600 Ext 225

##### **Ricoh Electronic Devices Co., Ltd.**

##### **Taipei office**

Room 109, 10F-1, No.51, Hengyang Rd., Taipei City, Taiwan (R.O.C.)  
Phone: +886-2-2313-1621/1622 Fax: +886-2-2313-1623