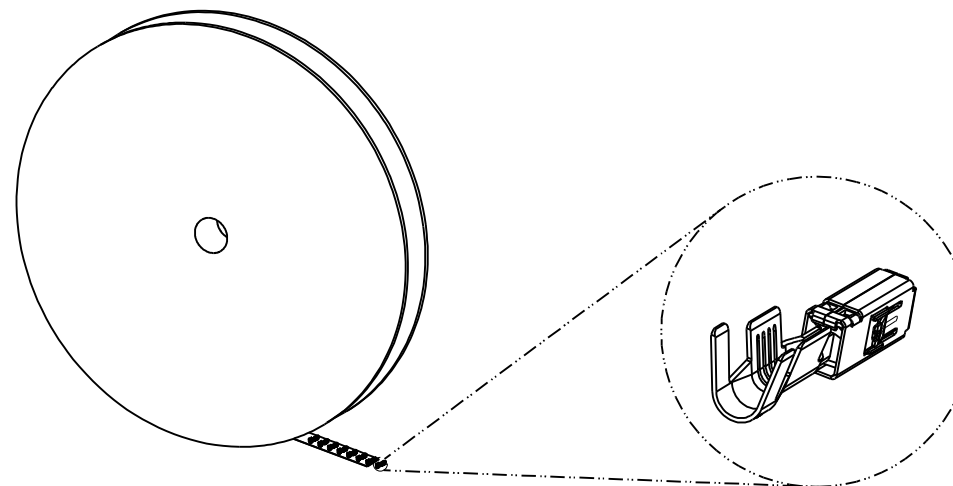
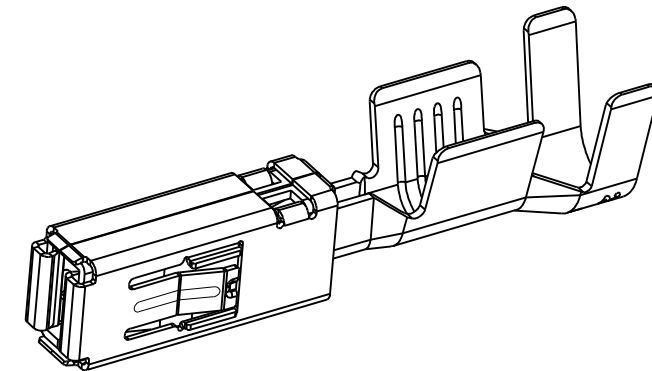
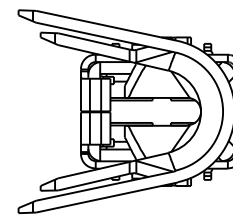
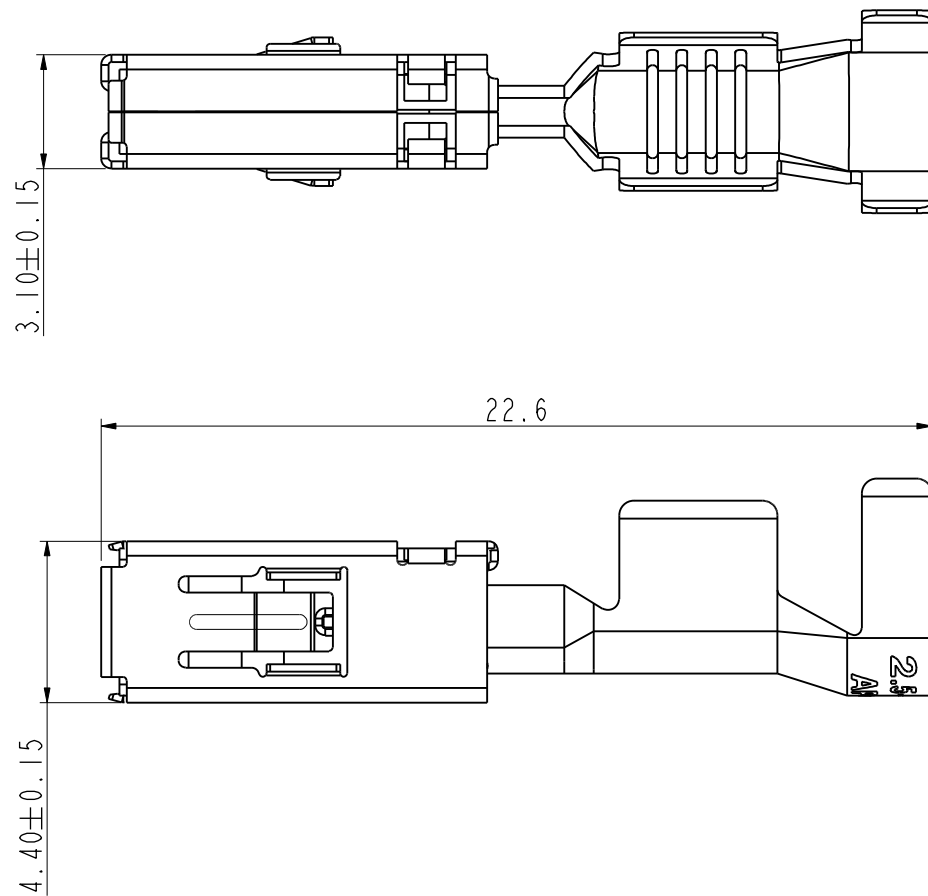


REV	ECN	DESCRIPTION	DATE	MODIFIED
B		UPDATE	2018.06.18	ROY.QU

Amphenol PCDSZ  
ORIGINAL  
PDF Format  
R&D



TECHNICAL FEATURES

1. MATERIAL:  
CONTACT: COPPER ALLOY  
TOP SPRING: STAINLESS
2. CONTACT FINISH: TIN PLATED
3. WIRE SIZE RANGE: 2.5~4.0 MM<sup>2</sup>
4. CURRENT CARRYING CAPACITY:  
UP TO 40 AMPERE (AT 20° C AMBIENT TEMPERATURE)
5. MATING FORCE: 8N MAX
6. CONTACT RESISTANCE: NEW STATE < 2mΩ
7. TAPE REEL PACKING

DIMENSIONS ANSI Y14.5M UNITS: MM Pro/E FILE	TOLERANCES .X ±0.1 .XX ±0.01 ANGLES ±0.5°	PROJECTION 	Amphenol Pcd Shenzhen		TITLE <b>2.8*0.8 FEMALE PIN</b>		
			ENGR ROY.QU	2018.06.18	SIZE <b>A3</b>	DWG NO. C-C3100036125	REV <b>B</b>
ORIGINAL	THIS DOCUMENT CONTAINS PROPRIETARY INFORMATION WHICH IS THE CONFIDENTIAL PROPERTY OF AMPHENOL PCD SHENZHEN		CHKD <i>Derek</i>	APPD <i>[Signature]</i>	CODE: 58982	SCALE: 2:1	SHEET 1 OF 1