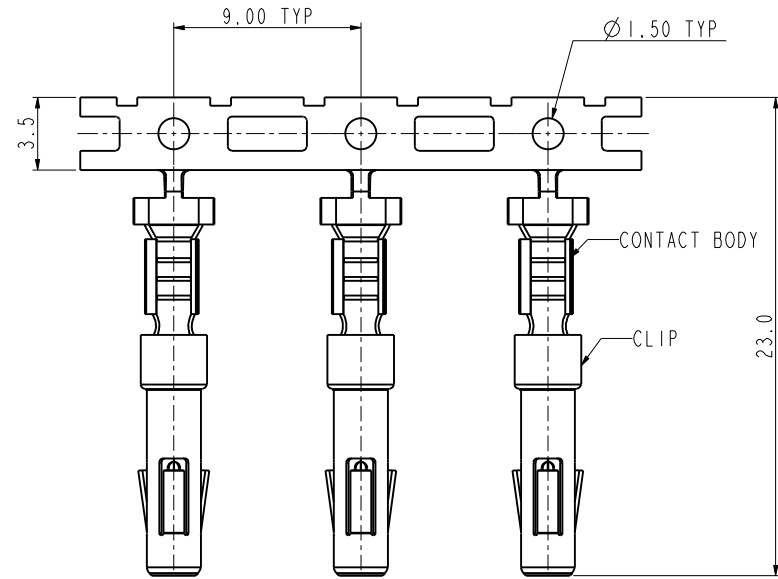
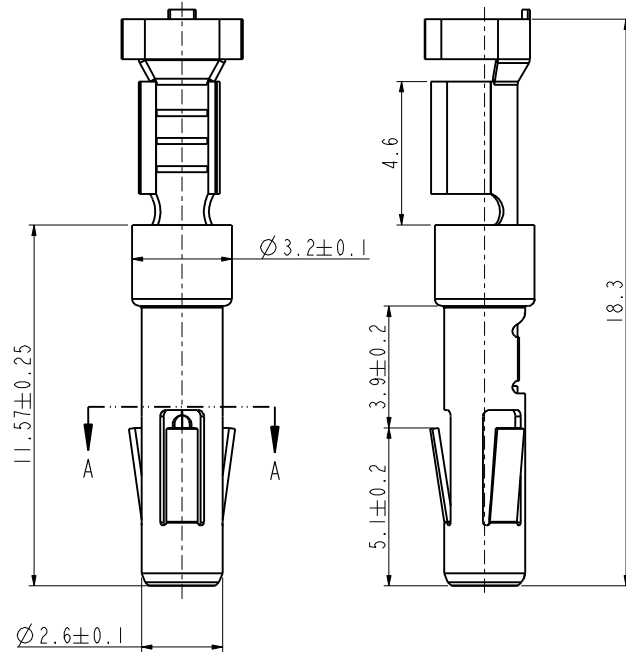
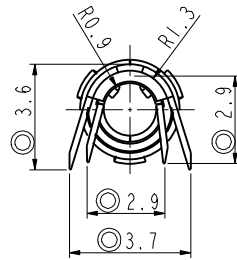
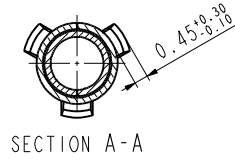


C-LVRC16PC01S

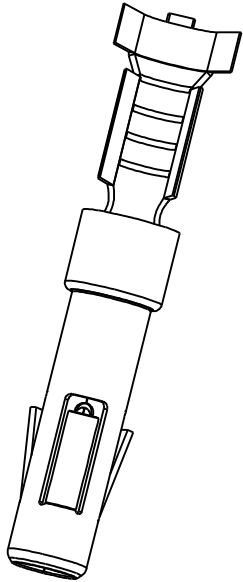
REV	ECN	DESCRIPTION	DATE	MODIFIED
A	C3003	RELEASE		LUIK.PENG

Amphenol PCD SZ
ORIGINAL
PDF Format
R&D



SCALE 4:1

安费诺精密连接器(深圳)有限公司
Amphenol PCD Shenzhen
受控文件
2018年10月11日



- ★: IS CRITICAL CHARACTERISTIC SYMBOL, ◎: IS IMPORTANT CHARACTERISTIC SYMBOL.
- NOTES:
- ★ 1. MATERIAL: CONTACT BODY: COPPER ALLOY; T=0.3mm, CLIP: STAINLESS STEEL, T=0.15mm.
 2. CONTACT BODY PLATING: TIN PLATING.
 - ◎ 3. WIRE RANGE: 18~14AWG(0.75~2.0 SQ MM), WIRE INSULATION OD RANGE: FROM 2.2MM TO 3.0MM.
 - ★ 4. ROHS COMPLIANCE.
 5. REEL PACKING 3000PCS PER REEL.

C-LVRC16PC01S

C-LVRC16PC01S

DIMENSIONS	TOLERANCES	PROJECTION	TITLE		
ANSI Y14.5M UNITS: MM Pro/E FILE	.X ±0.5 .XX ±0.05 ANGLES ±3.0°		Amphenol Pcd Shenzhen		
ORIGINAL	THIS DOCUMENT CONTAINS PROPRIETARY INFORMATION WHICH IS THE CONFIDENTIAL PROPERTY OF AMPHENOL PCD SHENZHEN	ENGR LUIK.PENG Mar-23-18	FEMALE CONTACT ϕ 16 FOR 0.75~2.0MM ²		REV A
		CHKD <i>Jouk</i>	SIZE A3	DWG NO. C-LVRC16PC01S	
		APPD <i>Derek</i>	CODE: 58982	SCALE: 6:1	SHEET 1 OF 1