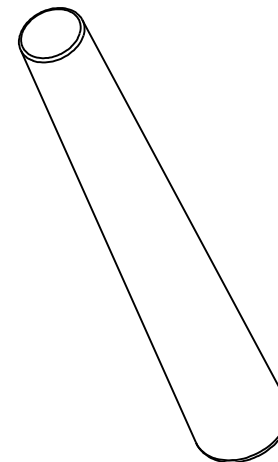
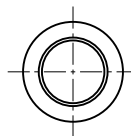
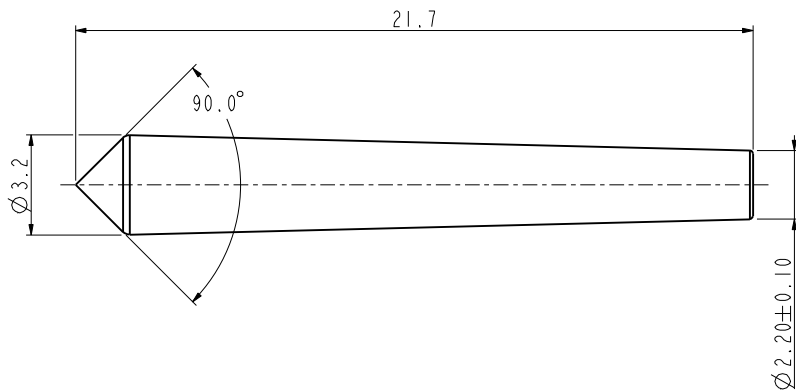


REV	ECN	DESCRIPTION	DATE	MODIFIED
A	C3003	RELEASE		LIUK.PENG

Amphenol PCD SZ  
ORIGINAL  
PDF Format  
R&D



安费诺精密连接器(深圳)有限公司  
Amphenol PCD Shenzhen  
受控文件  
2018年10月11日

C-LVRC16LP

C-LVRC16LP

NOTES:

- ✦ 1. MATERIAL: PA66+GF25%, NATURAL, UL94 V-0.
- ✦ 2. ROHS COMPLIANCE.

✦: IS CRITICAL CHARACTERISTIC SYMBOL, ◎: IS IMPORTANT CHARACTERISTIC SYMBOL.

<b>DIMENSIONS</b> ANSI Y14.5M UNITS: MM Pro/E FILE	<b>TOLERANCES</b> .X ±0.5 .XX ±0.05 ANGLES ±3.0°	<b>PROJECTION</b> 	Amphenol Pcd Shenzhen ENGR LIUK.PENG Mar-30-18		<b>TITLE</b> LVRC SERIES Ø2.2 SEAL	
			ORIGINAL	THIS DOCUMENT CONTAINS PROPRIETARY INFORMATION WHICH IS THE CONFIDENTIAL PROPERTY OF AMPHENOL PCD SHENZHEN	CHKD 	APPD 
			CODE: 58982	SCALE: 6:1	SHEET 1 OF 1	