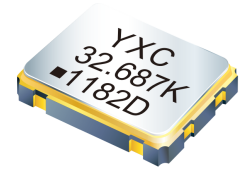


# CRYSTAL OSCILLATOR

## YSO120TK *Wide Voltage*



### Applications

- RTC Camera

### Features

- Frequency range:32.768KHz.
- Ultra Small SMD seam sealed crystal oscillator units.
- Package Size: 1.6\*1.2 , 2.0\*1.6  
2.5\*2.0 , 3.2\*2.5 , 5.0\*3.2 , 7.0\*5.0mm

## Specifications

|  |                                       |
|--|---------------------------------------|
| Frequency Range                              | 32.768KHz                             |
| Parameter                                    | 1.8V~3.3V                             |
| Output Type                                  | CMOS                                  |
| Frequency Tolerance(at 25°C)                 | ±10ppm,±20ppm,or specify              |
| Output Load                                  | 15pF                                  |
| Operating Temperature Range                  | -40~+85°C,-40~+125°C,or specify       |
| Storage Temperature Range                    | -55~+125°C                            |
| Frequency Versus Temperature Characteristics | ± 20ppm, ± 30ppm, ± 50ppm, or specify |
| Voltage Vol ( Max. ) / Vol ( Min. )          | VOH = 90%Vdd/VOL = 10%Vdd             |
| Duty Cycle                                   | 45~55%                                |
| Start-up Time                                | 3ms Max.                              |
| Supply Current                               | See Below                             |
| Frequency Aging (at 25°C)                    | ±3 ppm / year Max.                    |

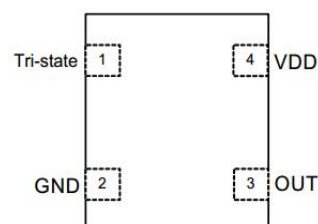
## Current Consumption

| Supply Voltage (V) | 32.768KHZ      |                |
|--------------------|----------------|----------------|
|                    | 7050/5032/3225 | 2520/2016/1612 |
| 1.8V               | 0.2mA max      | 0.2mA max      |
| 2.5V               | 0.3mA max      | 0.3mA max      |
| 3.3V               | 0.5mA max      | 0.4mA max      |

## Pin Dimension

| Pin      | #1        | #2  | #3     | #4  |
|----------|-----------|-----|--------|-----|
| FUNCTION | Tri-state | GND | OUTPUT | VDD |

### Pin Assignments



# CRYSTAL OSCILLATOR

## YSO120TK *Wide Voltage*

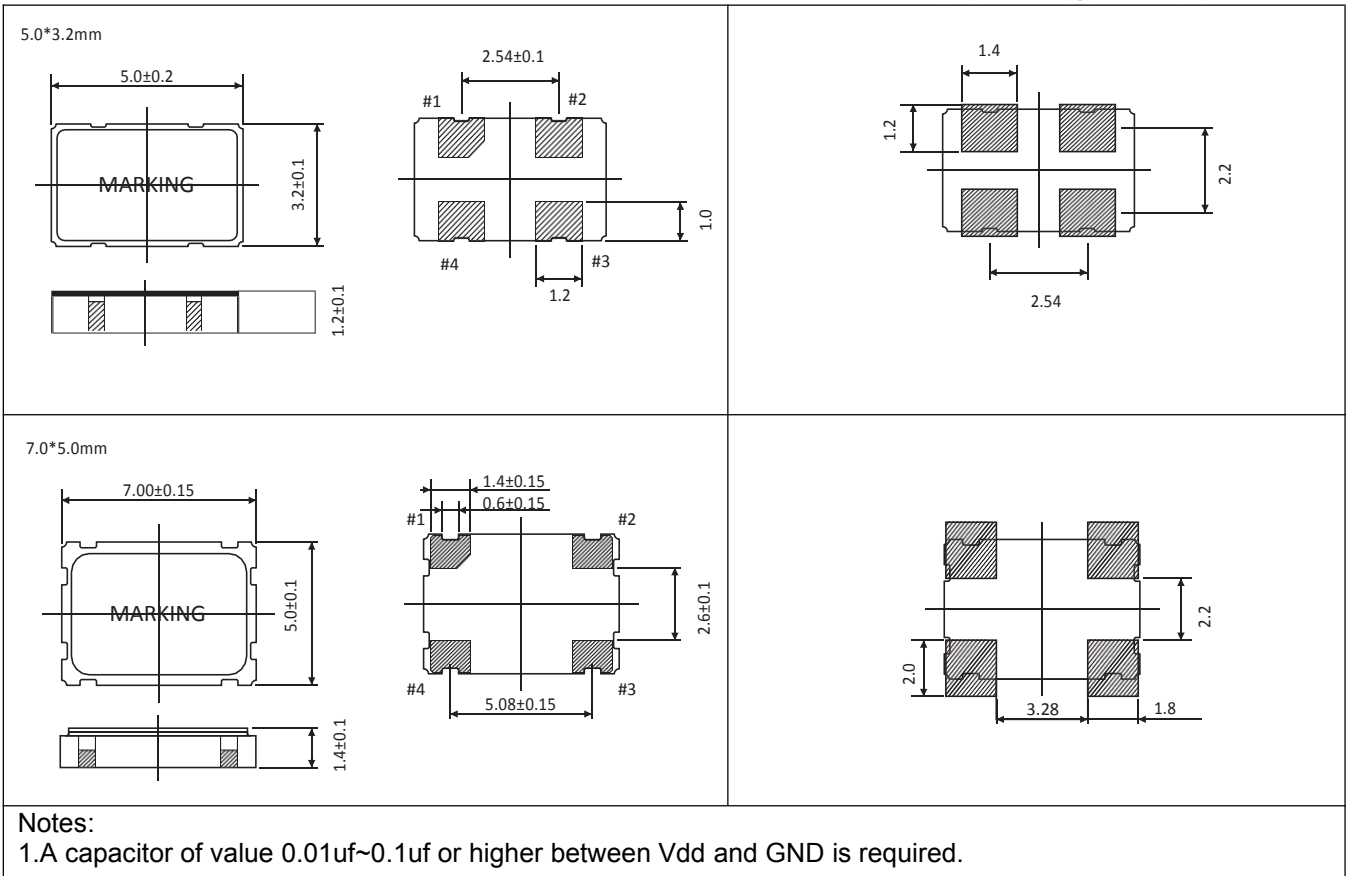


### Dimensions and Patterns [unit:mm]

| Package Size – Dimensions (Unit: mm) | Recommended Land Pattern (Unit: mm) |
|--------------------------------------|-------------------------------------|
| <p>1.6*1.2mm</p>                     |                                     |
| <p>2.0*1.6mm</p>                     |                                     |
| <p>2.5*2.0mm</p>                     |                                     |
| <p>3.2*2.5mm</p>                     |                                     |

# CRYSTAL OSCILLATOR

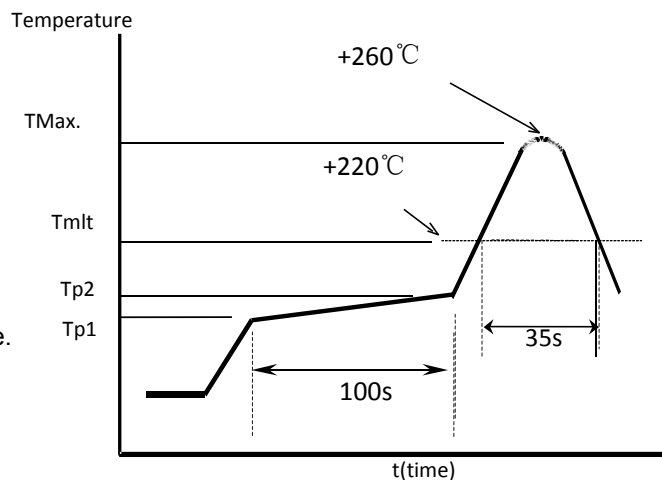
## YSO120TK *Wide Voltage*



### Reflow Soldering Profile

Pre Heating Temperature  
Tp1 ~ Tp2 = + 170 °C  
Heating Temperature  
TMIT = + 220 °C  
Peak Temperature  
TMax. = + 260 °C

Point of measuring  
In case of Solder ability Terminal.  
In case of Resistance to soldering heat Surface.

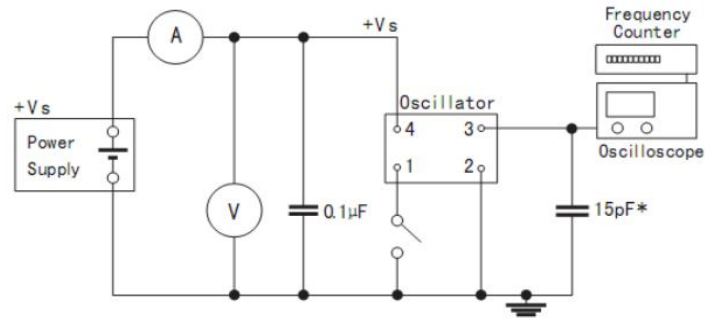


# CRYSTAL OSCILLATOR

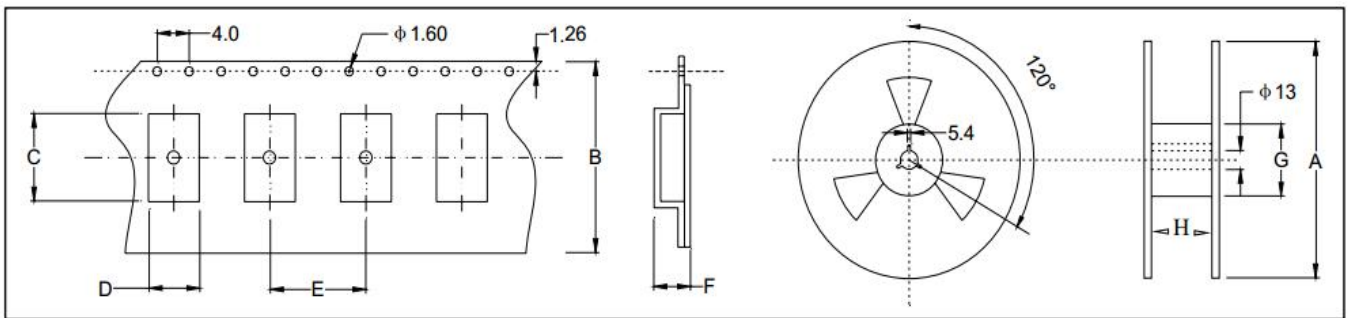
## YSO120TK *Wide Voltage*



### Test Circuit



### Taping Specification(Unit: mm)



| Size(OSC) | A       | B        | C        | D        | E       | F        | G        | H        |
|-----------|---------|----------|----------|----------|---------|----------|----------|----------|
| SMD-7050  | 180±2.0 | 16.0±0.3 | 7.50±0.1 | 5.50±0.1 | 8.0±0.1 | 2.00±0.1 | 61.0±1.0 | 16.0±1.0 |
| SMD-5032  | 180±2.0 | 12.0±0.3 | 5.40±0.1 | 3.60±0.1 | 8.0±0.1 | 1.70±0.1 | 61.0±1.0 | 12.0±1.0 |
| SMD-3225  | 180±2.0 | 8.0±0.3  | 3.40±0.1 | 2.70±0.1 | 4.0±0.1 | 1.50±0.1 | 61.0±1.0 | 8.0±1.0  |
| SMD-2520  | 180±2.0 | 8.0±0.3  | 2.90±0.1 | 2.40±0.1 | 4.0±0.1 | 1.20±0.1 | 61.0±1.0 | 8.0±1.0  |
| SMD-2016  | 180±2.0 | 8.0±0.3  | 2.30±0.1 | 1.90±0.1 | 4.0±0.1 | 0.95±0.1 | 61.0±1.0 | 8.0±1.0  |
| SMD-1612  | 180±2.0 | 8.0±0.3  | 1.80±0.1 | 1.40±0.1 | 4.0±0.1 | 0.80±0.1 | 61.0±1.0 | 8.0±1.0  |