

CRYSTAL OSCILLATOR

YSO1212SR DIP



Applications

- Work station CD player

Features

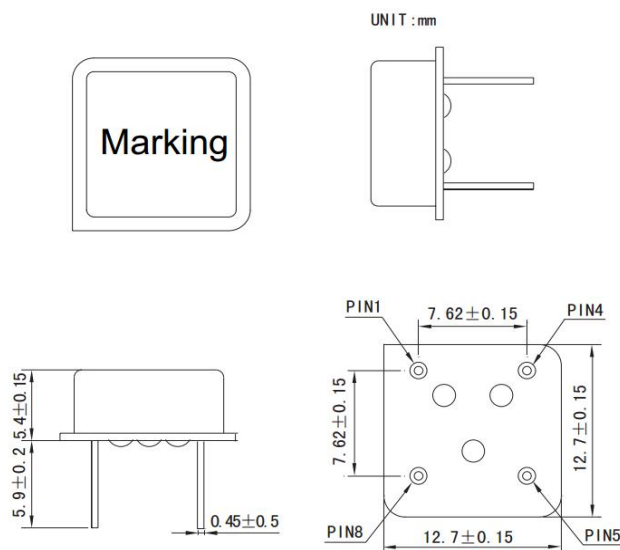
- Frequency range:1MHz-100MHz.
- Package Size: 12.7*12.7*5.4mm.
- Built in CMOS IC with tristate function.



Specifications

Frequency Range	1MHz to 100MHz
Parameter	3.3V or 5V
Output Type	CMOS
Frequency Tolerance(at 25°C)	±20ppm,±25ppm,or specify
Output Load	15pF
Operating Temperature Range	-20~+70°C,-40~+85°C,or specify
Storage Temperature Range	-55~+125°C
Voltage Vol (Max.) / Vol (Min.)	VOH = 90%Vdd/VOL = 10%Vdd
Rise (Tr) / Fall (Tf) Time	10ns Max.
Duty Cycle	40~60%
Start-up Time	3ms Max.
Supply Current	30mA Max. (<50MHz)
Frequency Aging (at 25°C)	±3 ppm / year Max.

Dimensions



Pin	#1	#4	#5	#8
FUNCTION	Tri-state	GND	OUTPUT	VDD

Notes:

A capacitor of value 0.01uf~0.1uf or higher between Vdd and GND is required.

CRYSTAL OSCILLATOR

YSO1212SR DIP



Current Consumption

Power Dissipation Vcc=3.3V or 5V 15pF only		
Frequency	5V	3.3V
1.0 ~ 35.999 MHz	25mA max	20mA max
36.0 ~ 69.999 MHz	60mA max	40mA max
70.0 ~ 100 MHz	80mA max	60mA max

Test Circuit

