

MATERIAL: Stainless Steel.  
 BASE: PBT(UL 94-V0) , PC(UL 94-V2)  
 ACTUATOR: PC ; Stainless Steel.  
 INNER ASSEMBLY: POM/PA66.  
 SPRING: Spring steel.  
 SEALING: Silicone.  
 O-Ring: Silicone.  
 TERMINAL: Brass ,Gold plated.  
 HEX NUT: Nickel plated brass.  
 RoHS



# MPB19-XXXXXR-JGX

Body type

D0	Stainless (Natural SUS),Flat
E1	Brass (Mirror Chrome Plated),Flat
E2	Brass (Nikel Plated),Flat
F3	Al alloy (Black Anodized),Flat

Button type

F	Flat
---	------

Contact Configuration

1	1NO 1NC
2	2NO 2NC

Operating type

0	Momentary
1	LOCK

Terminal plating

Q	Silver
R	Gold

NUT

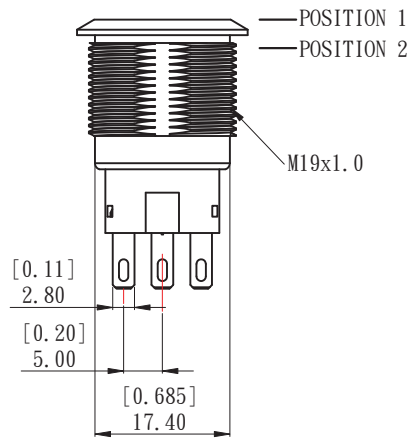
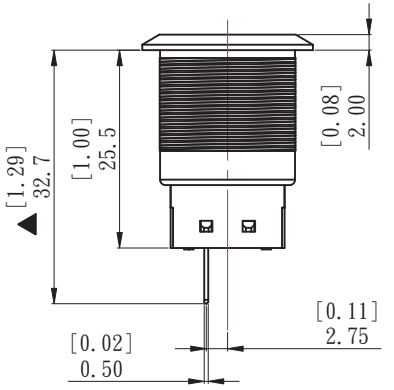
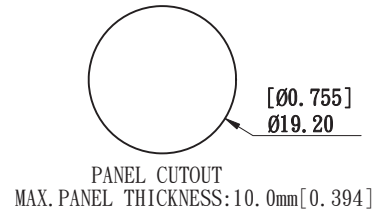
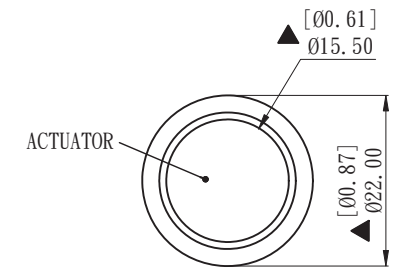
G	5mm THK.
---	----------

Terminal shape

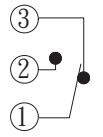
J	Solder Terminal
---	-----------------

Light type

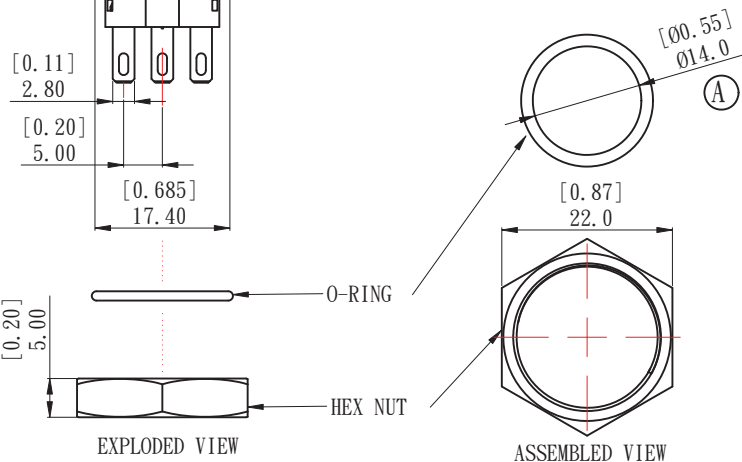
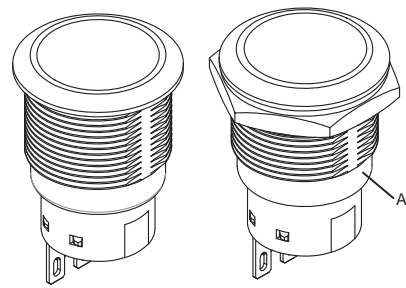
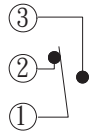
0	Without LED
---	-------------



POSITION 1



POSITION 2



本公司智慧財產，未經同意不得複製  
 DAILYWELL copyright, may not be used without permission from DAILYWELL

## SPECIFICATIONS

- CONTACT MATERIAL: Brass, Coin silver, Gold plated.
- RATING: 1th 5A/250VAC. resistive load 3A/250VAC.
- ELECTRICAL LIFE: 50,000 MAKE-AND-BREAK CYCLES AT FULL LOAD.
- MECHANICAL LIFE: SELF-LOCK 500,000.
- INSULATION RESISTANCE: 1,000MΩ MIN AT 500VDC .
- DELECTRIC STRENGTH: 2,000V RMS@sea level.
- CONTACT RESISTANCE: 50mΩ MAX. @1A 12VDC (initial value).
- OPERATING TEMPERATURE: -20°C to 55°C .
- TRAVEL: ABOUT 3.2mm.
- OPERATION PRESSURE: 1Pole 2.5±1N. / 2Pole 3.5±1N.
- INGRESS PROTECTION: IP67,IK10(Stainless).
- TORQUE: 5~14Nm.

德利威電子股份有限公司  
 DAILYWELL ELECTRONICS CO.,LTD.

符號	原尺寸	修改後尺寸	變更日期
1 (A)	更新跳板材質說明與加註O-RING內徑尺寸		DEC-06-2017
2 (B)			
3 (C)			
4 (D)			
5 (E)			

SCALE(比例): 1:1  
 TOLERANCE (公差):  
 0.00 mm ± 0.25mm  
 0.0 mm ± 0.40mm  
 ANGULAR: ± 2°  
 FILE NAME : MPB19-0973

TITLE 圖名	METAL PUSHBUTTON SWITCH	SIZE 圖紙	A4
DWG NO. 圖號	MPB19-D0F110-JGR	UNIT 單位	inch mm
REV. 版本	B	DATE 日期	DEC - 04 - 2017
CHECKED BY 審核	陳登財	SHEET 張數	1 of 1
DRAWN BY 製圖	IRENE		