

4

3

2

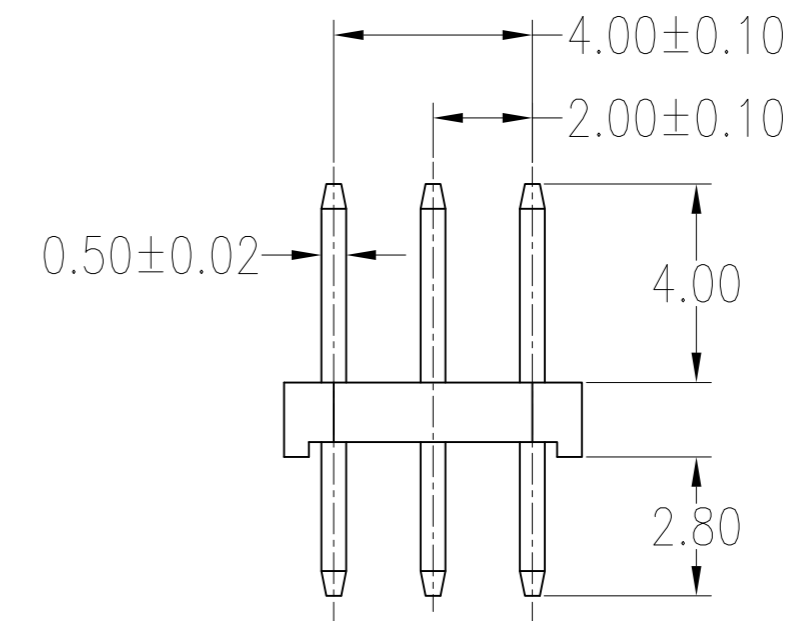
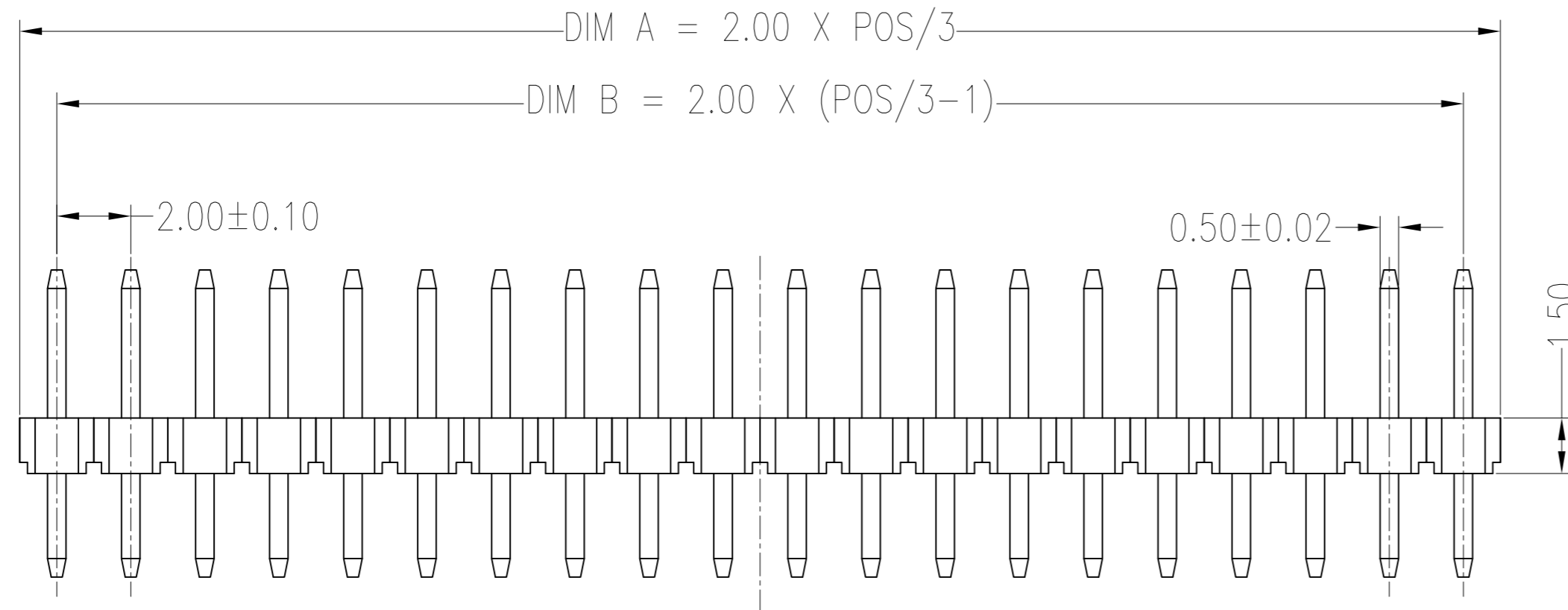
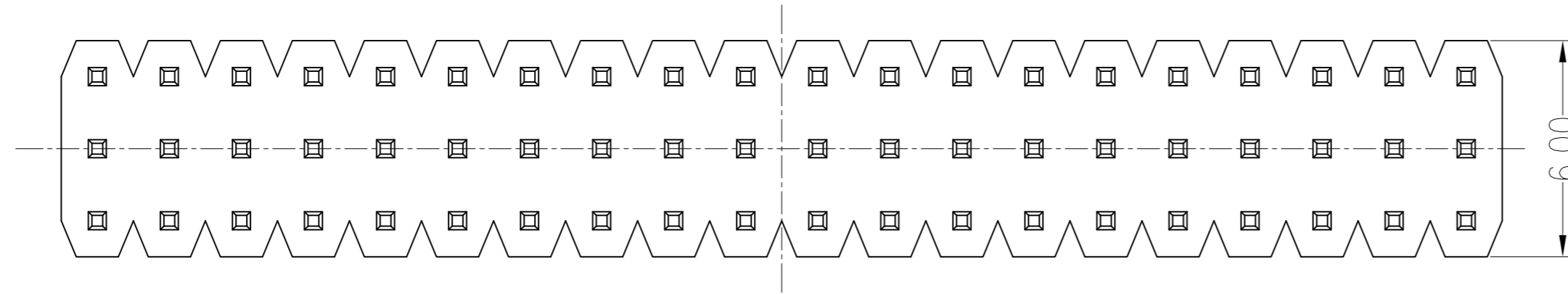
1

THIS DRAWING IS UNPUBLISHED. RELEASED FOR PUBLICATION  
 © COPYRIGHT - by - ALL RIGHTS RESERVED.

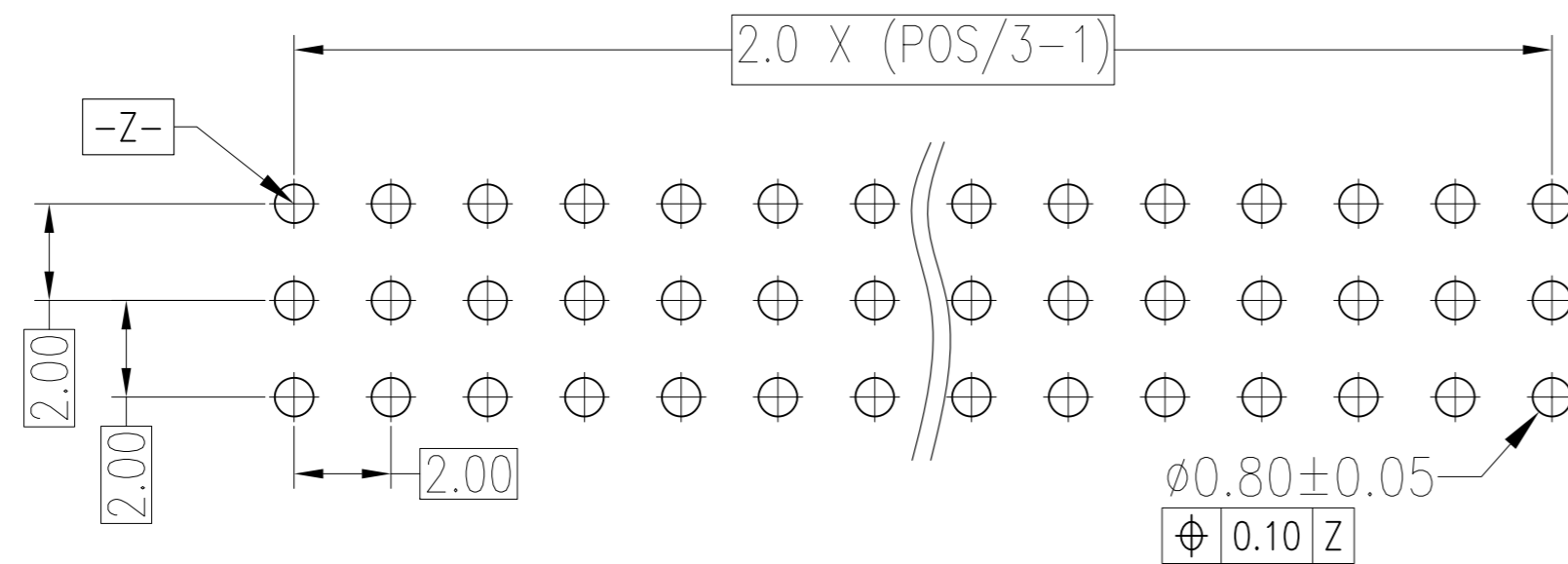
LOC		DIST		REVISIONS			
P	LTR	DESCRIPTION	DATE	DWN	APVD		
-	-	-	-	-	-		

NOTES:  
 Rated Current:2.0AMP.  
 Contact Resistance:20mΩ Max.  
 Withstand Voltage:500V AC/DC  
 Insulation Resistance:1000MΩ Min.  
 Operation Temperature:-40°C to +105°C

Contact Material: Brass  
 Contact Plating: Gold plating all over Nickel  
 Insulator Material: Polyester UL94V-0 BLACK



-	2.00	3	2-2271018-0
2.00	4.00	6	1-2271018-9
4.00	6.00	9	1-2271018-8
6.00	8.00	12	1-2271018-7
8.00	10.00	15	1-2271018-6
10.00	12.00	18	1-2271018-5
12.00	14.00	21	1-2271018-4
14.00	16.00	24	1-2271018-3
16.00	18.00	27	1-2271018-2
18.00	20.00	30	1-2271018-1
20.00	22.00	33	1-2271018-0
22.00	24.00	36	2271018-9
24.00	26.00	39	2271018-8
26.00	28.00	42	2271018-7
28.00	30.00	45	2271018-6
30.00	32.00	48	2271018-5
32.00	34.00	51	2271018-4
34.00	36.00	54	2271018-3
36.00	38.00	57	2271018-2
38.00	40.00	60	2271018-1
DIM B	DIM A	POS	PN



Recommended P.C.B Layout

PART NUMBER AS SHOWN: 2271018-1

THIS DRAWING IS A CONTROLLED DOCUMENT.		DWN ETHAN CHENG 26-NOV-13	TE Connectivity	
		CHK KOBBOY ZHAO 27-NOV-13		
DIMENSIONS: mm		APVD XU XIANG 28-NOV-13	NAME	
TOLERANCES UNLESS OTHERWISE SPECIFIED:		PRODUCT SPEC	AMPMODU, 2.00 PITCH, TRIPLE ROW PIN HEADER, THROUGH HOLE	
0 PLC ± -		APPLICATION SPEC	SIZE	
1 PLC ± -			CAGE CODE	
2 PLC ± ±0.25			DRAWING NO	
3 PLC ± -			RESTRICTED TO	
4 PLC ± -			A2 00779	
ANGLES ± -			G= 2271018	
FINISH		WEIGHT	SCALE	
SEE NOTES			1:1	
		CUSTOMER DRAWING	SHEET	
			1 of 1	
			REV	
			B	