

4

3

2

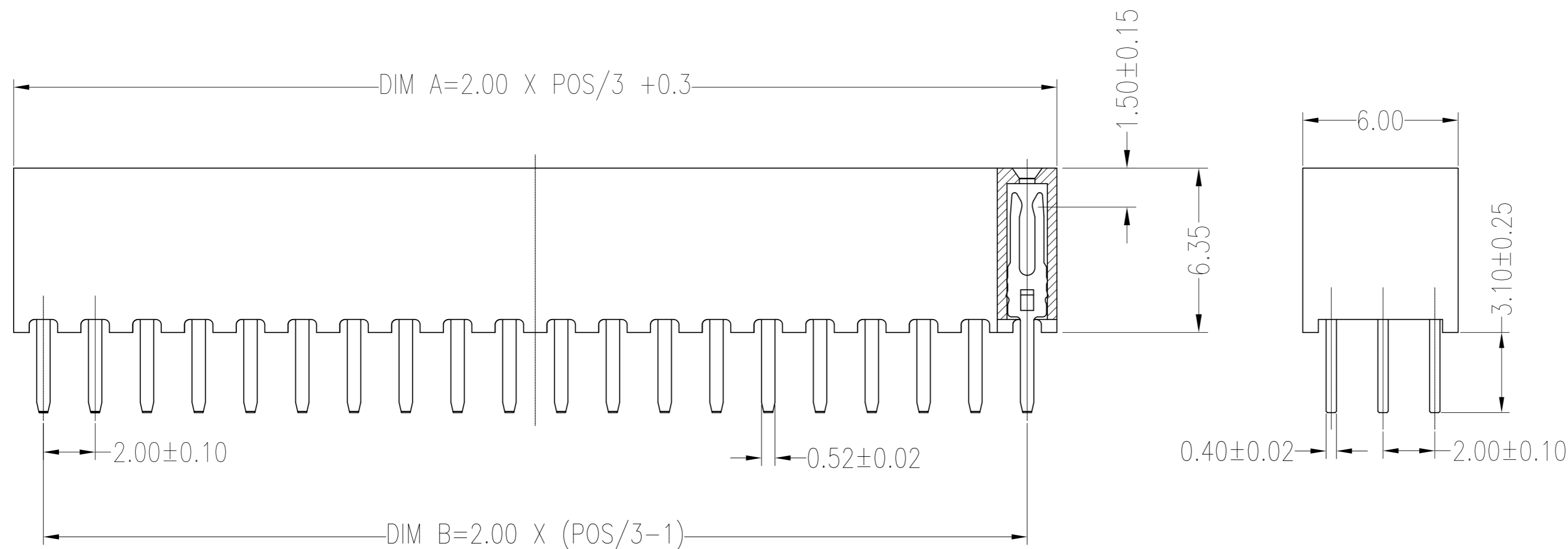
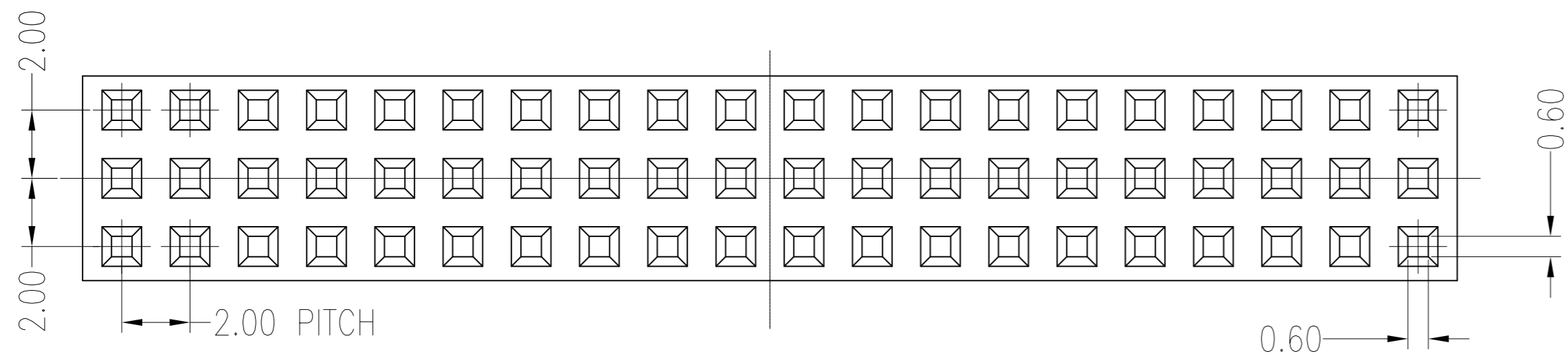
1

THIS DRAWING IS UNPUBLISHED. RELEASED FOR PUBLICATION
 © COPYRIGHT - by - ALL RIGHTS RESERVED.

LOC		DIST		REVISIONS			
P	LTR	DESCRIPTION	DATE	DWN	APVD		
-	-	-	-	-	-		

NOTES:
 Rated Current:2.0AMP.
 Contact Resistance:20mΩ Max.
 Withstand Voltage:500V AC/DC
 Insulation Resistance:1000MΩ Min.
 Operation Temperature:-40°C to +105°C

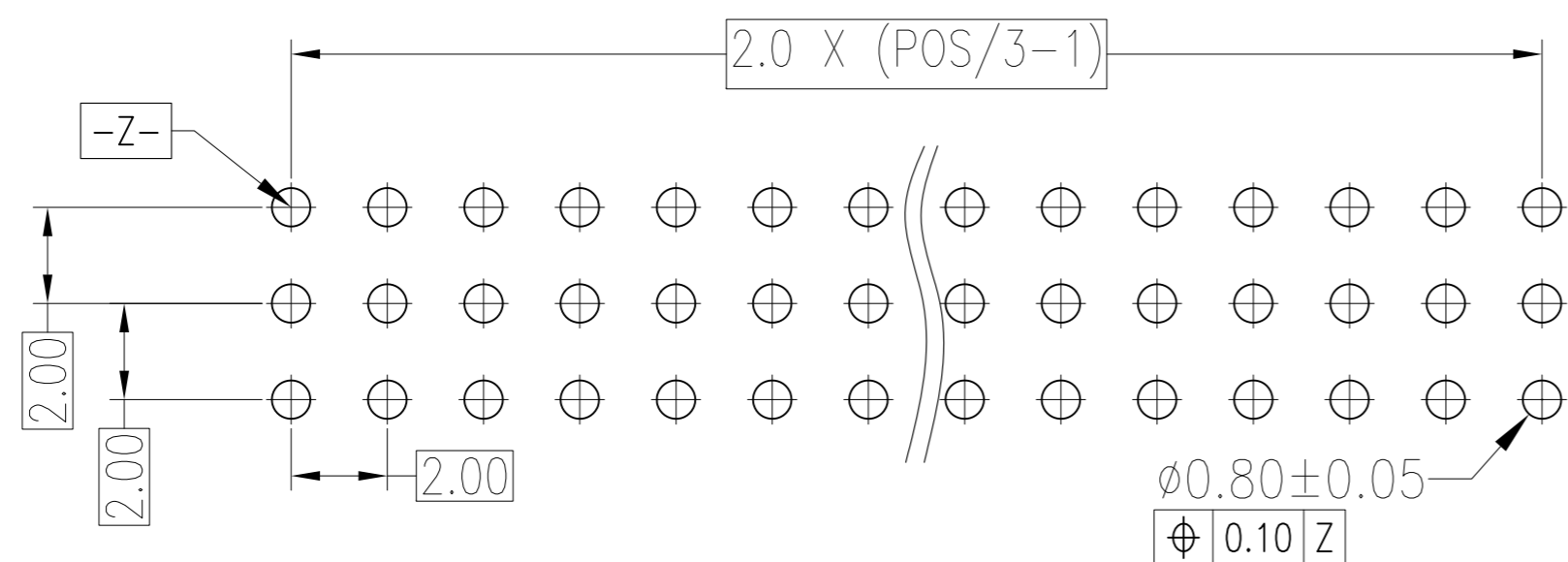
Contact Material: Copper Alloy
 Contact Plating: Gold Plating all over Nickel
 Insulator Material: Polyester UL94V-0 BLACK



PART NUMBER AS SHOWN: 1-2271019-1

-	2.30	3	2-2271019-0
2.00	4.30	6	1-2271019-9
4.00	6.30	9	1-2271019-8
6.00	8.30	12	1-2271019-7
8.00	10.30	15	1-2271019-6
10.00	12.30	18	1-2271019-5
12.00	14.30	21	1-2271019-4
14.00	16.30	24	1-2271019-3
16.00	18.30	27	1-2271019-2
18.00	20.30	30	2271019-1
20.00	22.30	33	1-2271019-0
22.00	24.30	36	2271019-9
24.00	26.30	39	2271019-8
26.00	28.30	42	2271019-7
28.00	30.30	45	2271019-6
30.00	32.30	48	2271019-5
32.00	34.30	51	2271019-4
34.00	36.30	54	2271019-3
36.00	38.30	57	2271019-2
38.00	40.30	60	1-2271019-1
DIM B	DIM A	POS	PN

PART FAMILY TABLE



Recommended P.C.B Layout

THIS DRAWING IS A CONTROLLED DOCUMENT.		DWN ETHAN CHENG 26-NOV-13		
DIMENSIONS: mm		CHK KOBBOY ZHAO 27-NOV-13		
TOLERANCES UNLESS OTHERWISE SPECIFIED:		APVD XU XIANG 28-NOV-13	NAME	
0 PLC ± -		PRODUCT SPEC	AMPMODU, 2.00 PITCH, TRIPLE ROW REC HEADER, THROUGH HOLE	
1 PLC ± -		APPLICATION SPEC	SIZE	CAGE CODE
2 PLC ± ±0.25		WEIGHT	A2	00779
3 PLC ± -		FINISH	DRAWING NO	2271019
4 PLC ± -		SEE NOTES	RESTRICTED TO	-
ANGLES ± -		CUSTOMER DRAWING	SCALE	1:1
SEE NOTES		SHEET		1 of 1
		REV		B