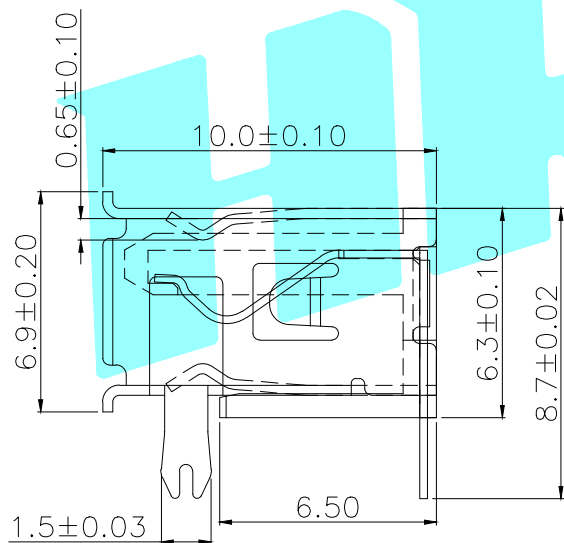


Recommended PCB Layout



- 1. 额定电流: Current Rating
3.0A/contact terminal
- 2. 额定电压: Voltage Rating
30V DC
- 3. 插拔力: Connector Mate and Unmate Force
Mate force: 3.57kgf(MAX)
Unmate force: 1.02kgf(MIN)

③	Base	—	1	NYLON	—	
②	Terminal	—	4	Phosphor Bronze	Ag Plated	
①	Housing	—	1	SPCC/C2680	Sn Plated	
ITEM	PART NAME	TER'NO.	QTY.	MATERIAL	FINISHING	REMARK

APPROVALS		DATE		 ELECTRONICS CO.,LTD		
DRAWN	xu qi feng	2018/8/1				
CHECKED				TITLE:		USB CONNECTOR
APPROVALS				PART NO.		U-A-24DD-Y-14
TOLERANCES ARE			30~以上	±0.30	ANGLE	UNIT: mm
			10~30	±0.25		
			5~10	±0.20		
			~ 5	±0.15		
				±2'	SCALE: 1:1	PROJ:
				DRAWING NO.	SHEET 1 OF 1	

_____	A	_____	NEW	_____	_____	_____
ECN NO.	REV.	DATE.	DESCRIPTION.	CHANGE.	CHECK.	APPRO.