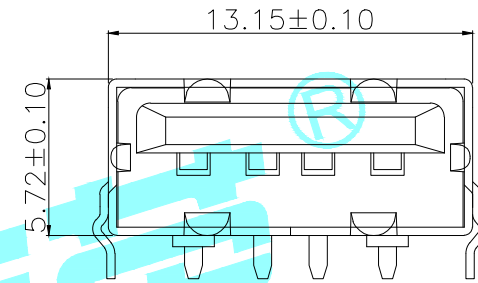
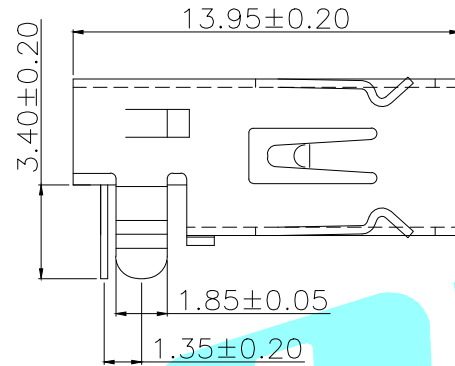
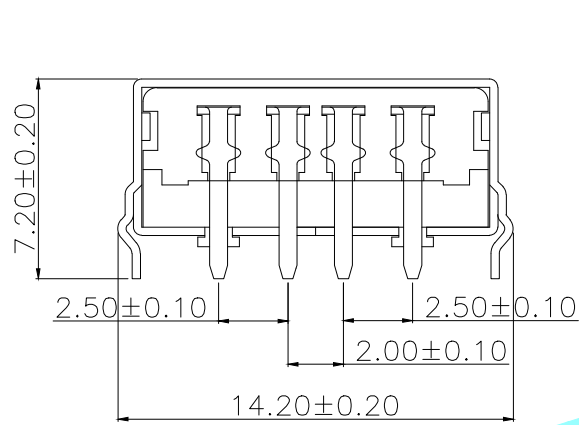


ROHS



规格说明: Specifications:
电气特性: Electrical:

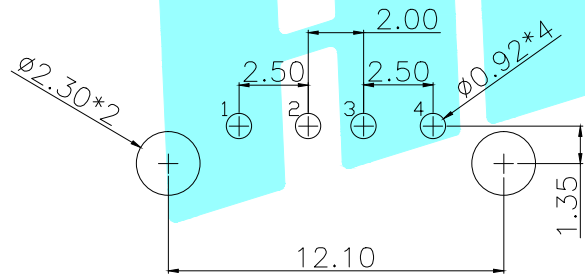
1. 额定电流: Current Rating
1.5A/contact terminal
2. 额定电压: Voltage Rating
30V DC
3. 接触阻抗: Contact Resistance
30 milliohms MAX
4. 耐电压: Dielectric Withstanding Voltage:
500 V AC find
5. 绝缘阻抗: Insulation Resistance:
1000MEGA ohms MIN

原材料: Raw material:

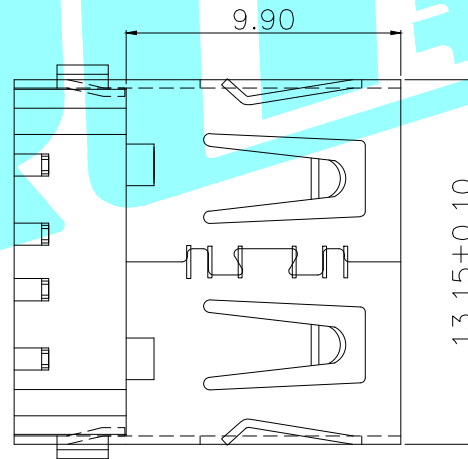
1. 塑胶: Plastic cement:
Hing Temperature Thermoplastics,
PBT/LCP Black/White
2. 端子: Contact: Copper Alloy C2680
3. 外壳: Shell: SPCC/Copper Alloy C2680

电镀: Electroplate:

1. 端子: Contact: Plated Gold in Mating Area;
Tin On Solder Talls
2. 外壳: Shell:
Nickel Plating



Recommended PCB Layout



APPROVALS		DATE				
DRAWN	LIUCAN	2020.12.08				
CHECKED			TITLE:	USB CONNECTOR		
APPROVALS			PART NO.	U-A-24DD-W-16		
TOLERANCES ARE	30~以上	±0.30	ANGLE	UNIT: mm	SCALE: 1:1	PROJ:
	10~30	±0.25				
	5~10	±0.20				
	~ 5	±0.15	±2°	DRAWING NO.		SHEET 1 OF 1

ECN NO.	REV.	DATE.	DESCRIPTION.	CHANGE.	CHECK.	APPRO.
	A		NEW			