



深圳东裕光大电子有限公司
广州市东裕光电科技有限公司

产品规格书

SPECIFICATION

客户名称 CUSTOMER	
产品名称 PRODUCTION	红外接收头
产品型号 MODEL	DY-IRM-WA01-B
版本号 VERSION NO	A1.0

地址(Add): 深圳市宝安区沙井街道后亭沙松路全至科技创新园叁号楼 5T

厂址(Add): 广东省广州市番禺区石基镇海涌路 3 号 10 号厂房 2 楼

电话(Tel): 0755-88366557 020-39294688

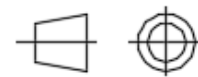
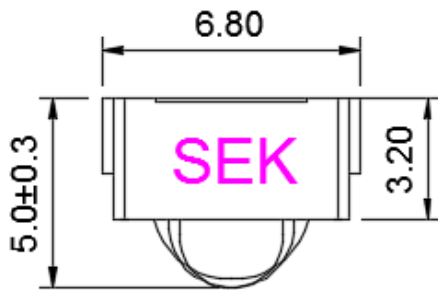
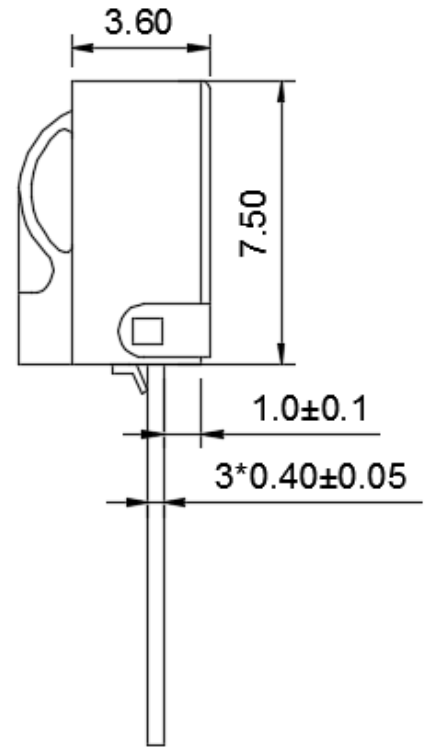
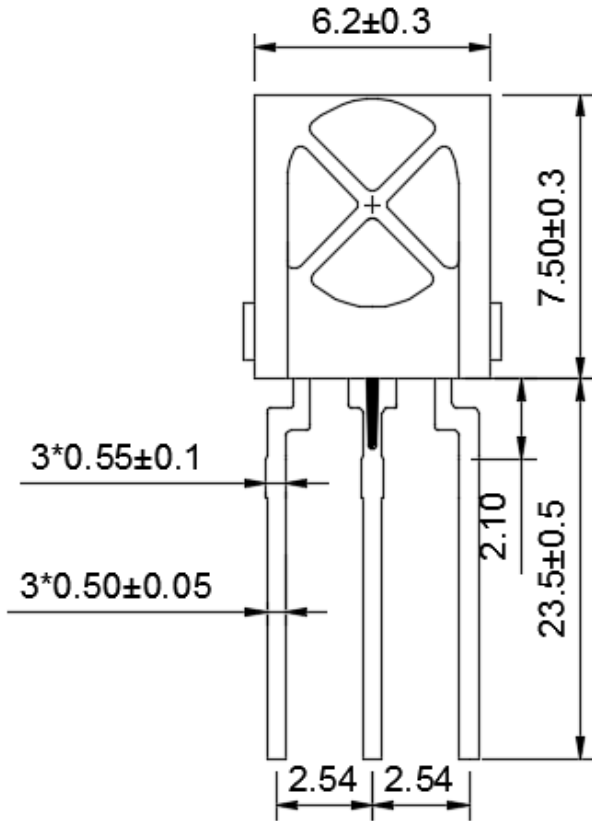
传真(Fax): 020-39966833

网址(Net): www.tonyuled.cn www.tonyuled.com



客户确认 CUSTOMER CONFIRMATION	审核 CHECKED BY	编制 PREPARED BY
	汪建新	陈少龙

◆ External Dimension (Unit : mm)



1-Vout 2-GND 3-Vcc
Not indicated to lerrances ± 0.3 mm

IR Receiver Modules for Remote Control Systems

◆ Description

The is a low power IR receiver IC for infrared remote control systems, which optimized specifically for application environment with RF signal interference (such as WIFI and Bluetooth).

The also inherits many good features from the series, such as low power consumption,

high sensitivity and wide supply voltage range. The assembles many excellent circuits such as a high gain low noise pre-amplifier, a limiter, a gain variable amplifier, a band pass filter, a auto gain control circuit, a comparator, a integrator , a waveform shaping circuit and a high frequency noise filter module on a single chip

◆ Features

Supply Voltage range : 2.7 V to 5.5 V

Very low current consumption (535uA@3V,570uA@5V)

Insensitive Vs ripple & background light source noise

Carrier frequency 36/37.9/40 KHz available

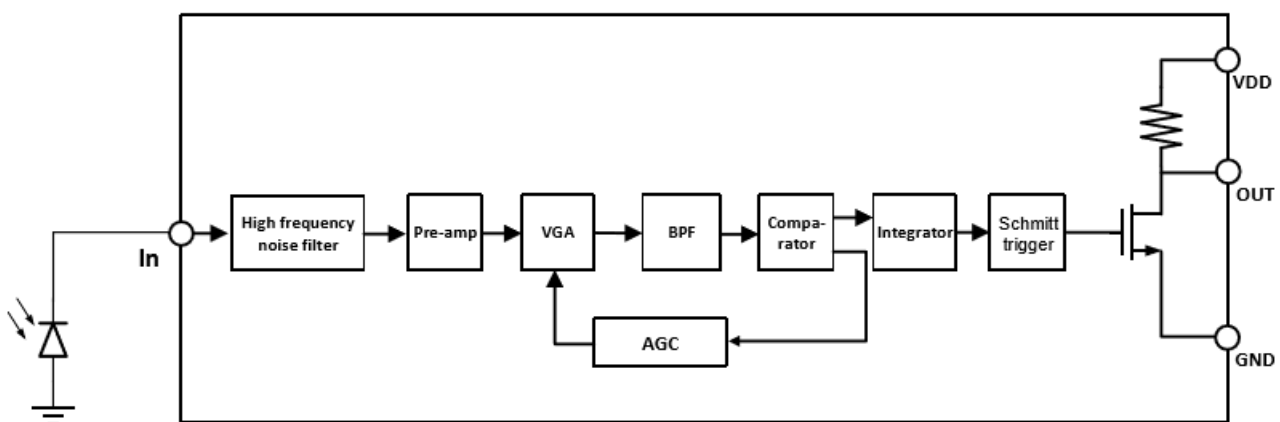
High ESD level

Output active low

◆ Applications

- TV, VCR, AUDIO,Settop-box
- Home Appliances
- Remote Control Equipment

Block Diagram

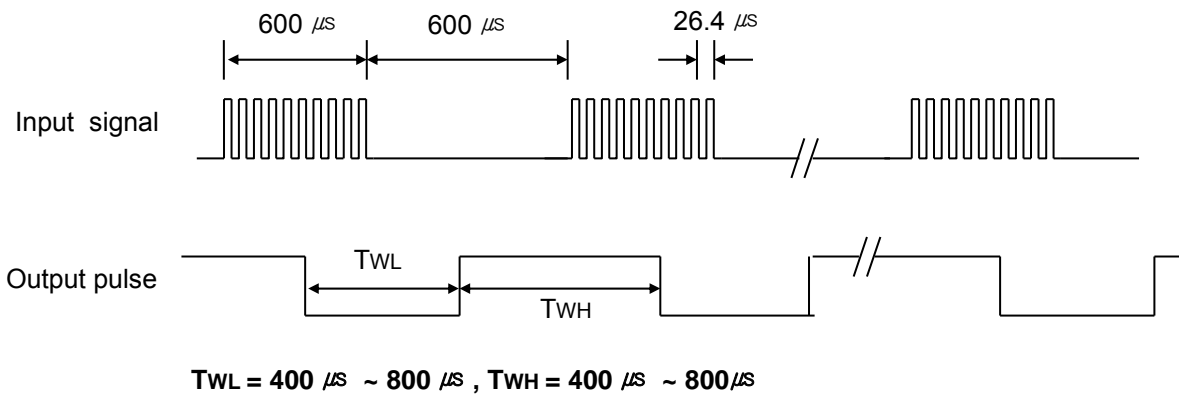


◆ Electrical / Optical Characteristics (Ta=25°)

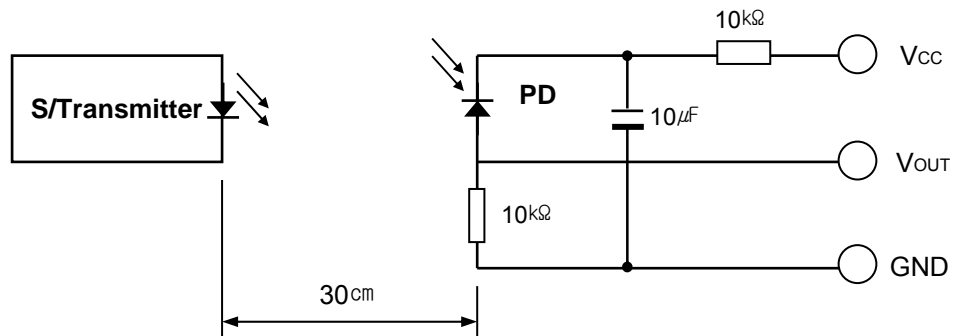
<p>[Fig.1] Supply Current vs. Voltage</p>	<p>[Fig.2] Relative Spectral Sensitivity</p>
<p>[Fig.3] Output Pulse Width vs. Distance</p>	<p>[Fig.4] Directivity (V)</p>
<p>[Fig.5] BPF Fc Curve</p>	<p>[Fig.6] Directivity (H)</p>

◆ Measurement Conditions

[Fig.6] Output Waveform (at freq.=37.9KHz)

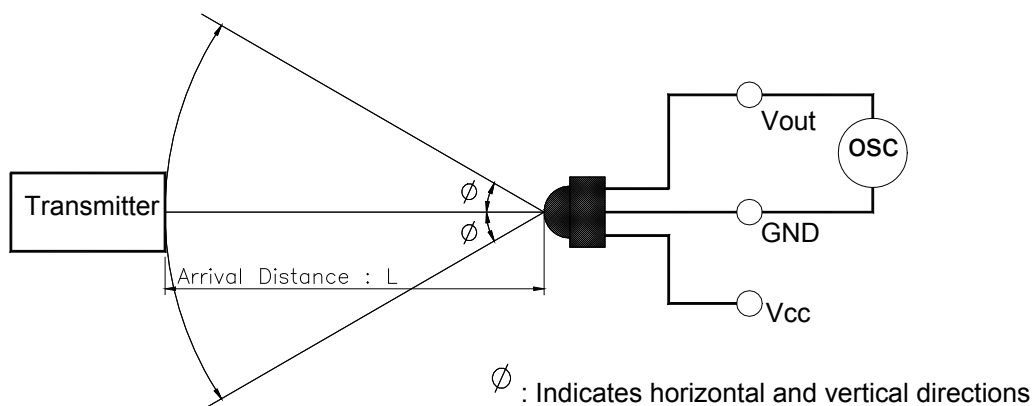


[Fig.7] Transmitter



※ The specifications shall be satisfied under the following conditions. The standard transmitter shall be specified of the burst wave form adjusted to V_{OUT} 200mVp-p upon P_o measuring circuit Standard Transmitter

[Fig.8] Test condition of arrival distance



[Measurement condition for arrival distance]

☞ Ambient light source : Detecting surface illumination shall be irradiate 200 ± 50 Lux under ordinary white fluorescence lamp without high frequency lighting

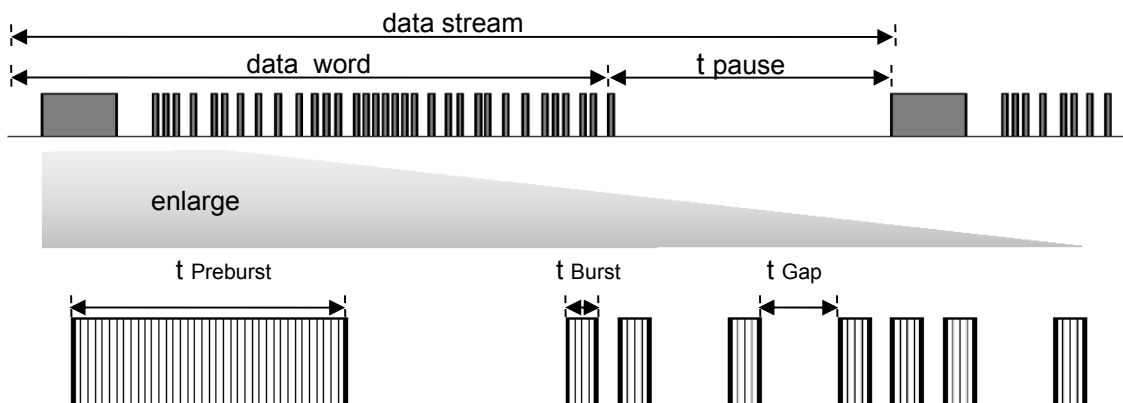
◆ Data signal limitation for Series

Item	Symbol	Time
Minimum burst length	t_{Burst}	300uS
Minimum gap time after each burst	$t_{Gap - 1}$ $t_{Gap - 2}$	350uS
Minimum data pause time	t_{Pause}	25ms

* note 1)

: t_{Pause_min} Could be changed by different data word format. Therefore, for new application on sets please refer to "Required data pause time(t_{Pause})" on above.

[Fig. 9] Data Signal diagram



- t_{Burst} ; length of a burst in pulses of the carrier frequency.
- t_{Gap} ; length of the gap between two burst in pulses of carrier.
- t_{pause} ; length of the pause between two data words.
- $t_{Preburst}$; lead code of data word

◆ Reliability Test Items

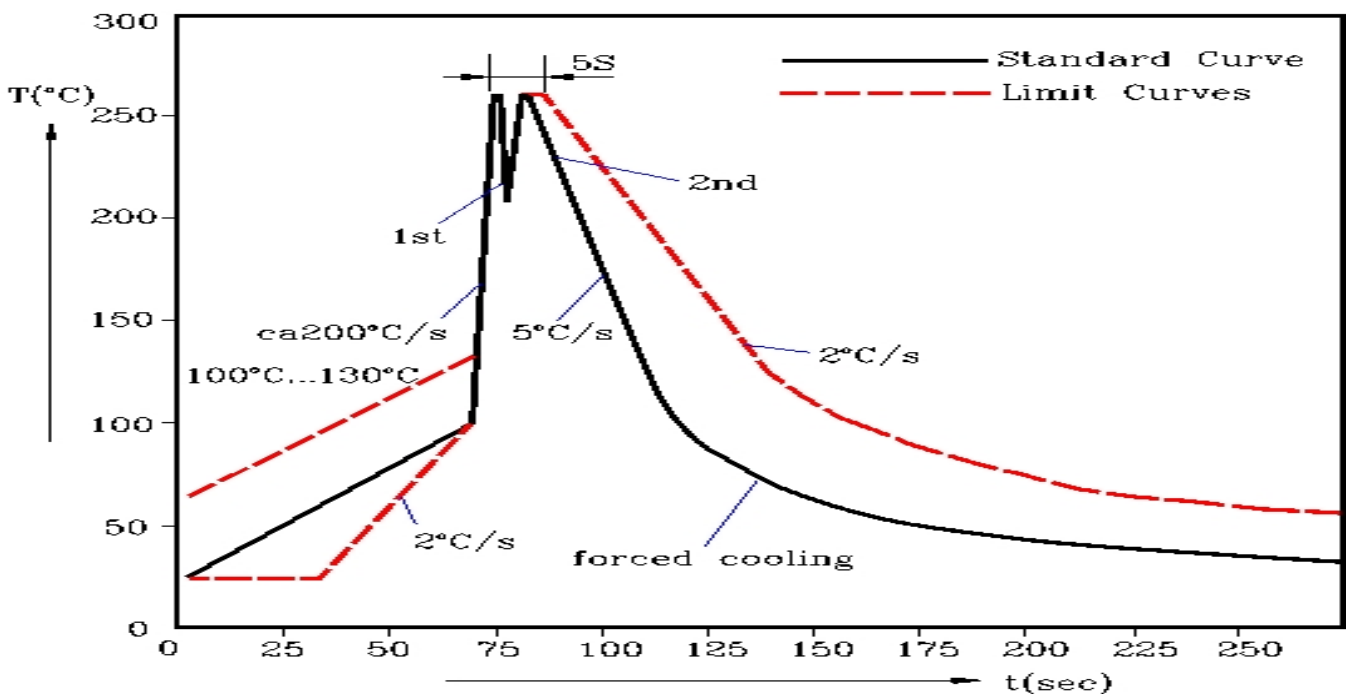
Parameter	Test conditions		Remark
High Temperature	Ta=+85°C, Vcc=5.0V	t=1000h	※1, ※2
Low Temperature	Ta=-30°C, Vcc=5.0V	t=1000h	※1, ※2
High Temp./ High Humidity	Ta=+85°C 85%RH	t=1000h	※2
Heat Cycle	Ta=-25°C(0.5h) to +85°C(0.5h)	200 cycle	※2, ※3
Fall Test	Height=75cm, 5 times		※4

- ※ 1. Supply voltage of load test is 5V.
- ※ 2. Electro-optical characteristics shall be satisfied after leaving 2 hours in the normal condition.
- ※ 3. Heat cycle test shall repeat above condition 20 times under no load.
- ※ 4. The test devices shall be dropped three time on the hard wooden board from a height of 75cm.

◆ Material Configuration

Parameter	Configuration	Remark
IC	Silicon(99%)	
Photo diode	Silicon(99%)	
Lead frame	Iron(99.5%), Silver(0.5%)	
Epoxy resin	Resin(55.5%), Hardener(45.5%)	
Silver epoxy	Silver(80%), Resin(10%), Hardener(10%)	
Bond wire	Gold(99.99%)	
Shield Case	Iron(99%), Tin(1%)	Inside

◆ DIP波峰焊接工艺曲线图



◆ Absolute Maximum Ratings

(Ta = 25°C)

Parameter	Symbol	Min.	Max.	Unit
Supply Voltage	VCC	0	7.0	V
Supply Current	ICC	0	3.0	mA
Output Voltage	Vout	0	7.0	V
Output Current	Iout	0	2.5	mA
Storage Temperature	Tstg	-30	+85	°C
Operating Temperature	Tamb	-25	+85	°C
Soldering Temperature	Tsd	260°C ±5°C, Max 10 sec		°C

* Stress above those listed under Absolute Maximum Ratings may cause permanent damage of device. This is stress rating only and functional operation of the device at these or any other conditions above those indicated in the operational sections of this specification is not implied. Exposure to absolute maximum rating conditions for longer periods may affect device reliability.

◆ Electro-optical Characteristics

(Ta = 25°C)

Parameter	Symbol	Conditions	Vcc	Min	Typ	Max	Unit
Operating Voltage	Vcc	-	-	2.7	-	5.5	V
Supply Current	Icc	No input signal	5	0.3	0.53	0.7	mA
			3	0.2	0.40	0.6	
B.P.F Center Frequency	fo		5	-	37.9	-	Khz
			3	-	37.9	-	
Peak Wave Length	λP			-	940	-	nm
High Level Output Voltage	VOH	Fig.1	5	Vcc-0.5	-	-	V
			3	Vcc-0.5	-	-	
Low Level Output Voltage	VOL	Fig.1	5	-	0.2	0.4	V
			3		0.2	0.4	
High Level Output Pulse Width	TWH	Fig.1	5	400	600	800	μs
			3	400	600	800	
Low Level Output Pulse Width	TWL	Fig.1	5	450	600	750	μs
			3	400	600	800	
Arrival Distance	L	Fig. 1,2,3	±0°	18	-	-	m
			±30°	12	-	-	
			±45°	8	-	-	
Output Form	Active Low						

** Arrival Distance Effected by Environment

ESD Test Results

Parameter	Conditions	Specification	Results
Machine Model	C=200pF, R=0Ω	Min ±400V	>±400V
Human Body Model	C=100pF, R=1.5kΩ	Min ±4000V	>±4000V
Charged Device Model	R=100MΩ, 1Ω	Min ±800V	>±800V

◆ **Suitable Data format for Series ;**

data format	code acceptable
NEC	○
RC5_Philips	○
RC6_Philips	○
RCA_Thomson	×
Sony 12 Bit	○
Sony 15 Bit	×
Sony 20 Bit	×
XMP/RCMM	×
Toshiba	○
Continuous code	×
Power meter	×



Disclaimer

All products, product specifications and data are subject to change without notice to improve reliability, function or design or otherwise.

TONYU Co, Ltd, its affiliates agents, and employees, and all persons acting on its or their behalf (collectively, TONYU) , Disclaim any and all liability for any errors, inaccuracies or incompleteness contained in any datasheet or in any other disclosure relating to any products.

TONYU makes no warranty, representation or guarantee regarding the suitability of the products for any particular purpose or the continuing production of any products. To the maximum extent permitted by applicable law, TONYU disclaims

(1) any and all liability arising out of the application or use of any products, (ii) any and all liability, including without limitation special, consequential or incidental damages, and any and all implied warranties, (iii) including warranties of fitness for particular purpose, non-infringement and merchantability.

Statements regarding the suitability of products for certain types of applications are based on TONYU knowledge of typical requirements that are often placed on TONYU products in generic applications. Such statements are not binding statements about the suitability of products for a particular application. It is the customer's responsibility to validate that a particular product with the properties described in the product specification is suitable for use in a particular application. Parameters provided in datasheets and /or specifications may vary in different applications and performance may vary over time. All operating parameters, including typical parameters, must be validated for each customer application by the customer's technical experts. Product specifications do not expand or otherwise modify TONYU terms and conditions of purchase, including but not limited to the warranty expressed therein

Except as expressly indicated in writing, TONYU products are not designed for use in medical, life- saving, or life- sustaining applications or for any other application in which the failure of the TONYU products could result in personal injury or death. Customers using or selling TONYU products not expressly indicated for use in such applications do so at their own risk and agree to fully indemnify and hold TONYU and its distributors harmless from and against any and all claims, liabilities, expenses and damages arising or resulting in connection with such use or sale, including attorneys fees, even if such claim alleges that TONYU or its distributor was negligent regarding the design or manufacture of the part. Please contact authorized TONYU personnel to obtain written terms and conditions regarding products designed for such applications.

No license, express or implied, by estoppel or otherwise, to any intellectual property rights is granted by this document or by any conduct of TONYU. Product names and markings noted herein may be trademarks of their respective owners.