

REVISION RECORD			
REV	ECN	DESCRIPTION	DRFT DATE

NOTES1:
 UL Standard
 1. Rated voltage/current : 300V / 15A
 2. Withstanding voltage : AC1600V/1Min.
 IEC Standard
 1. Pollution degree 2
 2. Overvoltage category III
 3. Rate impulse voltage(KV) 4.0KV
 4. Rate voltage(V) 320V
 5. Rate current(A) 20A

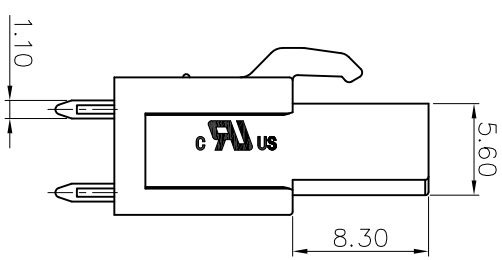
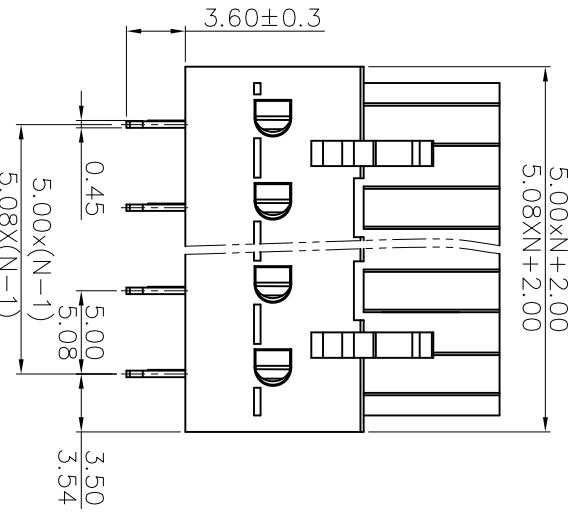
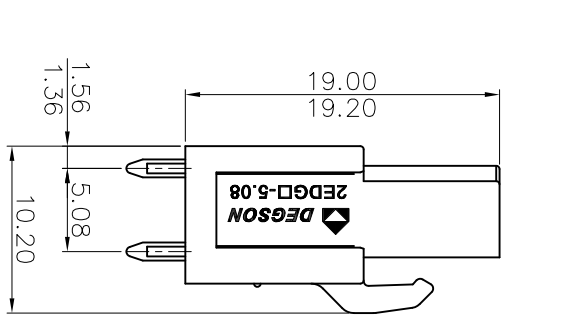
Pollution degree	2
Overvoltage category	III
Rate impulse voltage(KV)	4.0KV
Rate voltage(V)	320V
Rate current(A)	20A

NOTES2:

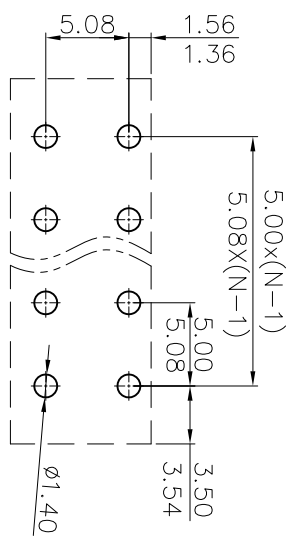
1. Dimension shall be interpreted per ASME Y14.5-2009
2. Pitch : 5.0/5.08mm, Poles : N=02~24P
3. Operating temperature: -40°C~+105°C
4. Undimensioned tolerances:

mm	Nominal Dimension		Range		D
	Over	To	Over	To	
6	To	10	To	30	0.1/10
10	To	24	To	60	<
150	±0.15	±0.20	±0.30	±0.50	±1.00 ±1.30 ±2

5. RoHS Compliance



2EDGB - 5.0/5.08 - XXP - 1Y - 00A (H)
 (Series No.) (Pitch) (Poles) (Single Pitch) (Color): 1.(Grey)
 2.(Blue)
 3.(Black)
 4.(Green)
 5.(Orange)
 6.(Red)
 7.(Transparent)
 8.(Yellow)
 9.(White)



DETACHED LISTS			
PART NO.:	/	NAME:	2EDGB-5.0/5.08-XXP-1Y-00A(H)
APPD:	/	CHKD:	/
DRFT:	/	TITLE:	CUSTOMER DRAWING
THIRD ANGLE PROJECTION		DRAWING NO.:	/
		DO NOT SCALE DRAWING	SCALE
			1:1

DEGSON
 NINGBO DEGSON ELECTRICAL CO., LTD
 宁波高松电子有限公司

A 8 7 6 5 4 3 2 1