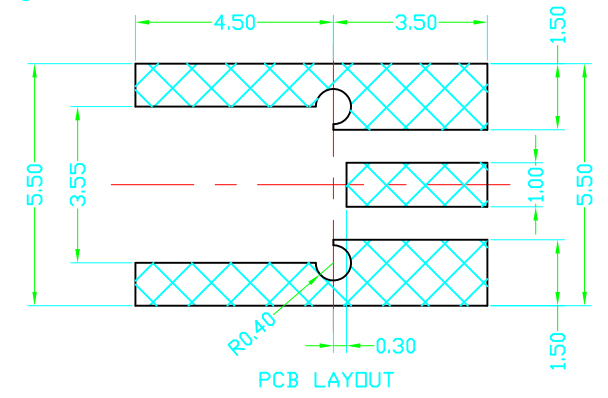
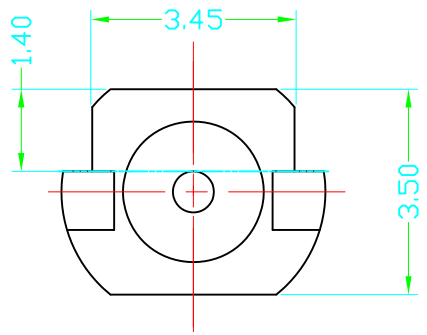
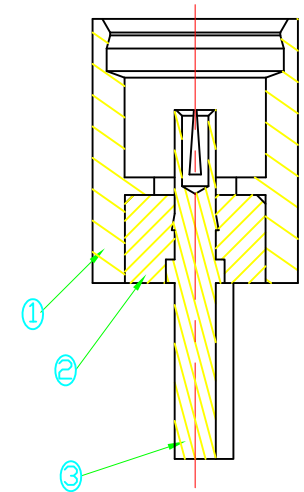
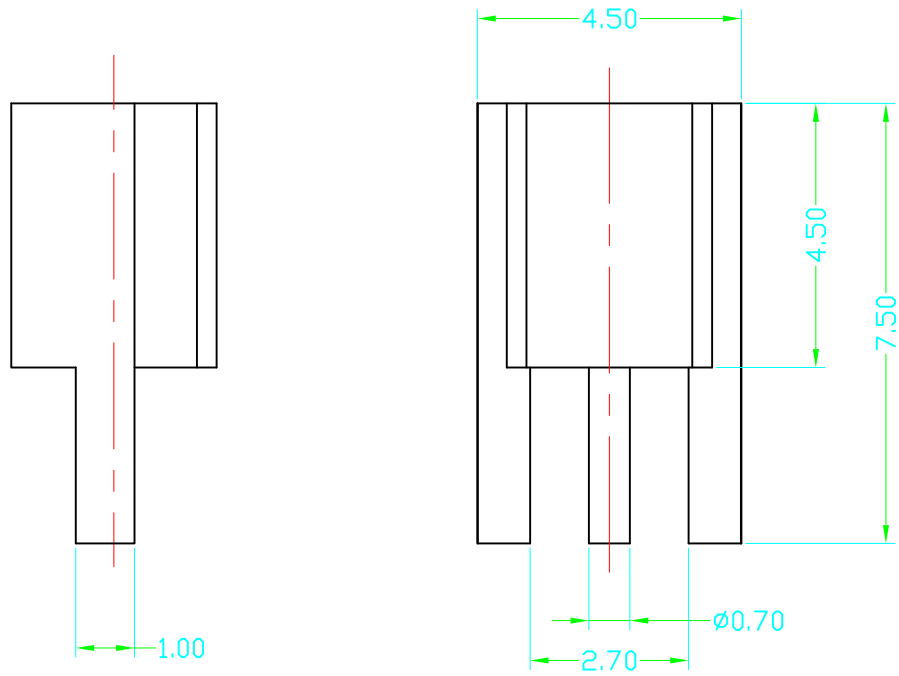
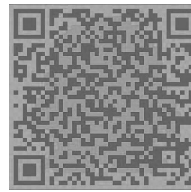


Kinghelm®

SIGN	DATE	DESCRIPTION	APPROVER
△			
△			
△			



深圳市金航标电子有限公司		WWW.BDS666.COM	
型号: KH-MMCX-PBS		0755-83044319	
TITLE: MMCX 母頭母針(破板式)			
PART NO.: MMX005-ZG8JNPCB		DWG NAME: MMX005-ZG8JNPCB	
APPROVED BY	CHECKED BY	DESIGNED BY	Tolerance X.X ±0.1 X.XX ±0.05 X° ±1°
		Tom Liu 2020.08.24	
		UNITS: mm	
		SCALE: 1/1	
		REVISION: A	



技术详询