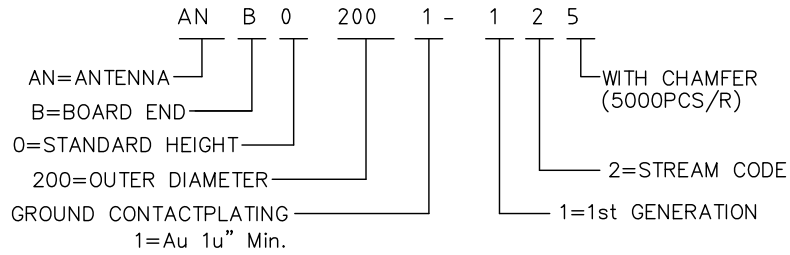
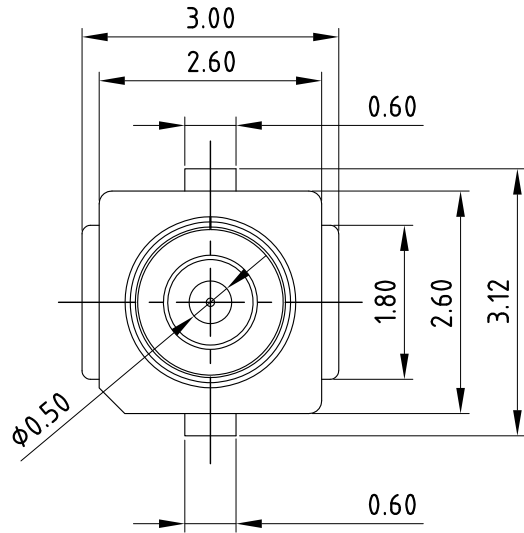
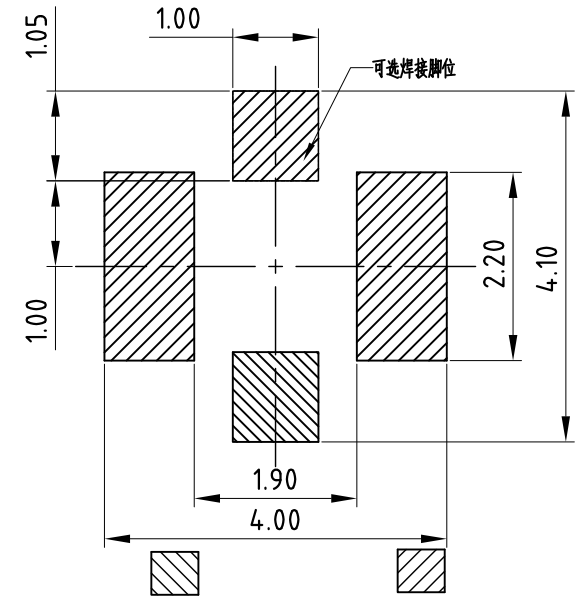


Kinghelm®

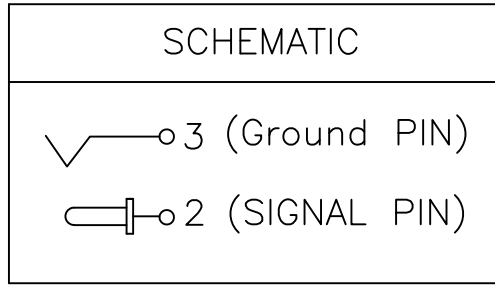
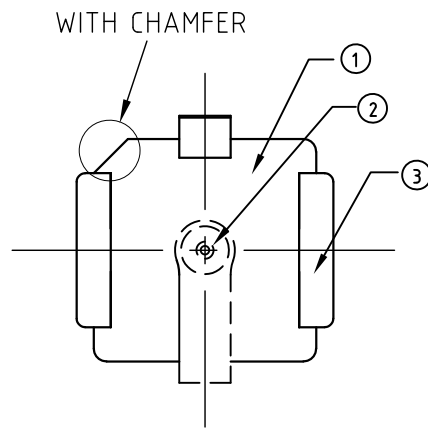
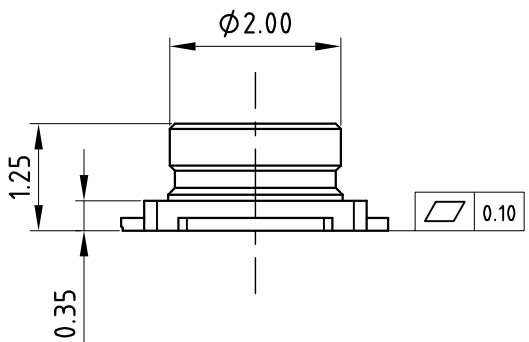


NOTES:

1. FREQUENCY RANGE:
DC TO 6GHZ (VSWR: 1.3MAX AT 0.1~3GHZ, 1.4MAX AT 3~6GHZ)
2. CHARACTERISTIC IMPEDANCE: 50Ω(NOMINAL);
3. TEMPERATURE: -40°C TO +90°C;
4. RATED VOLTAGE : 60VAC;
5. CONTACT RESISTANCE :
20mΩ MAX.(SIGNAL CONTACT)
20mΩ MAX.(GROUND CONTACT)
6. WITHSTAND VOLTAGE : 200VAC FOR 1 MINUTE MIN;
7. INSULATION RESISTANCE : 500MΩ MIN. AT 100VDC;
8. THIS COMPONENT IS HALOGEN FREE.



SIGNAL CONTACT GROUND CONTACT
P.C.B DIMENSION (TOP VIEW)
(TOLLERRANCE ±0.05)



ITEM	NAME	Q'TY	MATERIAL	FINISH
3	GROUND CONTACT	1	COPPER ALLOY	GOLD FLASH OVER Ni PLATED OVERALL.
2	CONTACT	1	COPPER ALLOY	GOLD FLASH OVER Ni PLATED OVERALL.
1	HOUSING	1	THERMOPLASTIC	UL94V-0

TOLERANCES UNLESS OTHERWISE SPECIFIED		X. ±0.25 X.° ±2°		.X ±0.20 .X° ±1°		.XX ±0.15 .XX° ±0.5°		深圳市金航标电子有限公司 KH-IPEX-K501-29 SERIES: RF 1G BOARD END APPD: 王宁 2018/07/09 CKD: 段国强 2018/07/09 DR: 段国强 2018/07/09 技术详询		WWW.BDS666.COM 0755-83044319 TITLE: RF 1G H TYPE BOARD END PART No.: ANB02001-125 DWG No.: 307-0000-0193	
UNITS	MAT'L	FINISH	SCALE	SHEET	REV.						
MM	N/A	N/A	1:1	1/1	A						