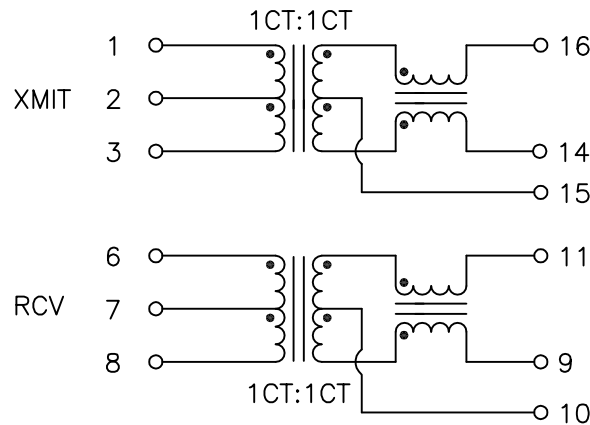


HR681686

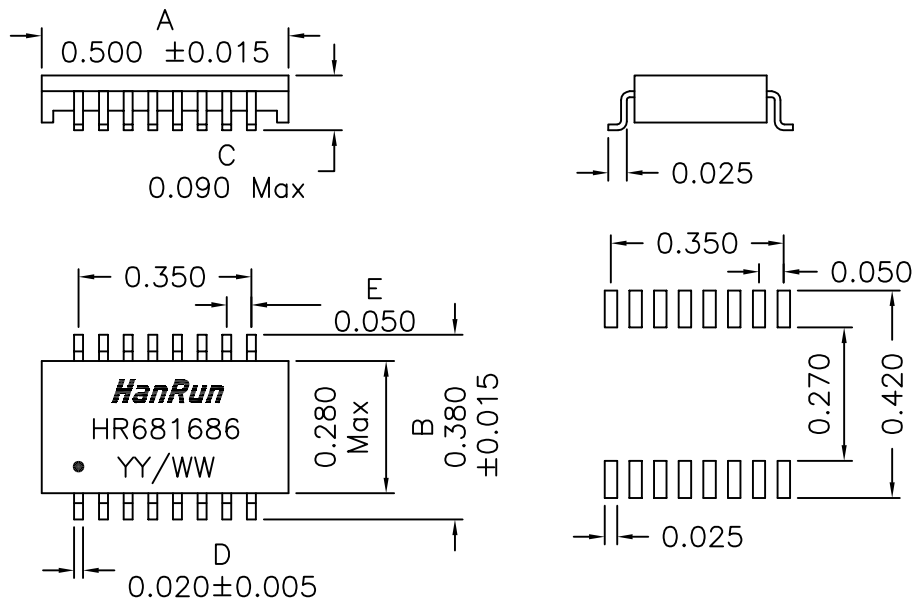
Electrical Specification @25°C

- Isolation: 1500Vrms (Primary to Secondary)
- Insertion Loss: -0.9dB Maximum @300KHz ~ 100MHz
- Return Loss: -16dB Minimum @30MHz
 - 12dB Minimum @60MHz
 - 11dB Minimum @80MHz
- Different to Common Mode Rejection: -35dB Minimum @30MHz / -33dB Minimum @50MHz
 - 20dB Minimum @100MHz / -20dB Minimum @150MHz
- Crosstalk: -45dB Minimum @30MHz / -40dB Minimum @62MHz / -40dB Minimum @100MHz

Schematics



Mechanical Dimensions



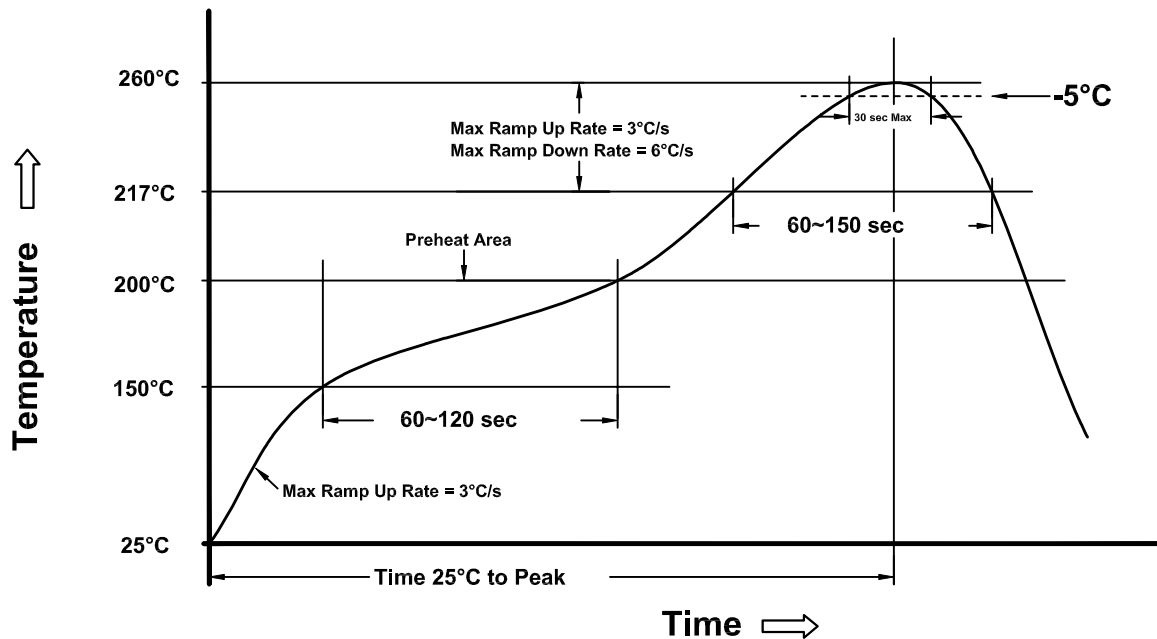
Dimensions in inches

SUGGESTED PCB PAD LAYOUT

Unless otherwise specified, Tolerance: .xxx ±0.010

REV.A

1 of 1



Remarks:

- peak temperature = 260°C
- Maximum preheat rate = 3°C / sec
- Ramp up rate = 3°C / sec max
- Time above 217°C = 60 sec min / 150 sec max
- Maximum cooling rate = 6°C / sec
- T 25°C to peak = 8 min max
- preheat Time = 60 ~ 120 sec
- The number of allowed cycles in IR reflow \leq 2 cycles