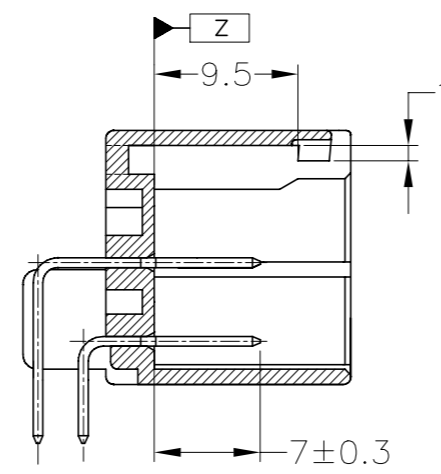
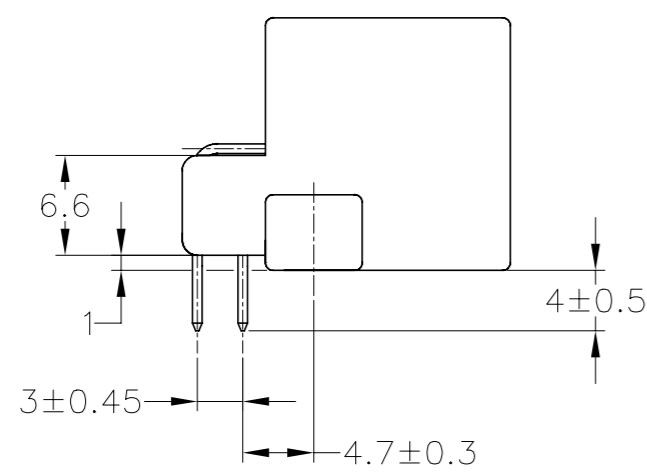
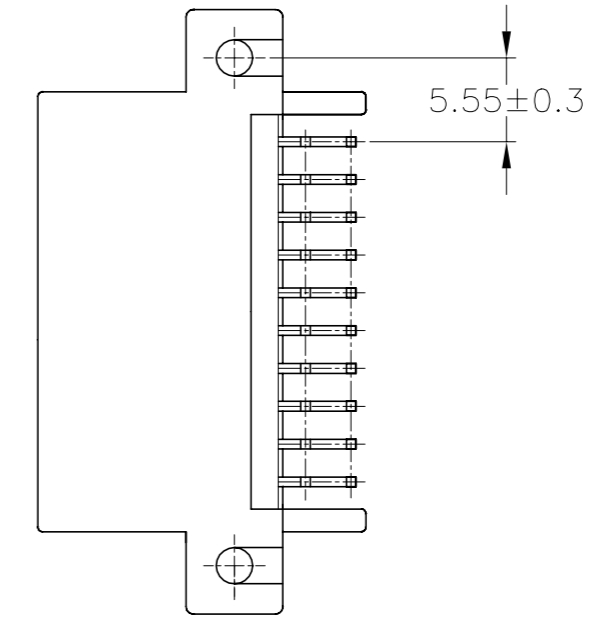
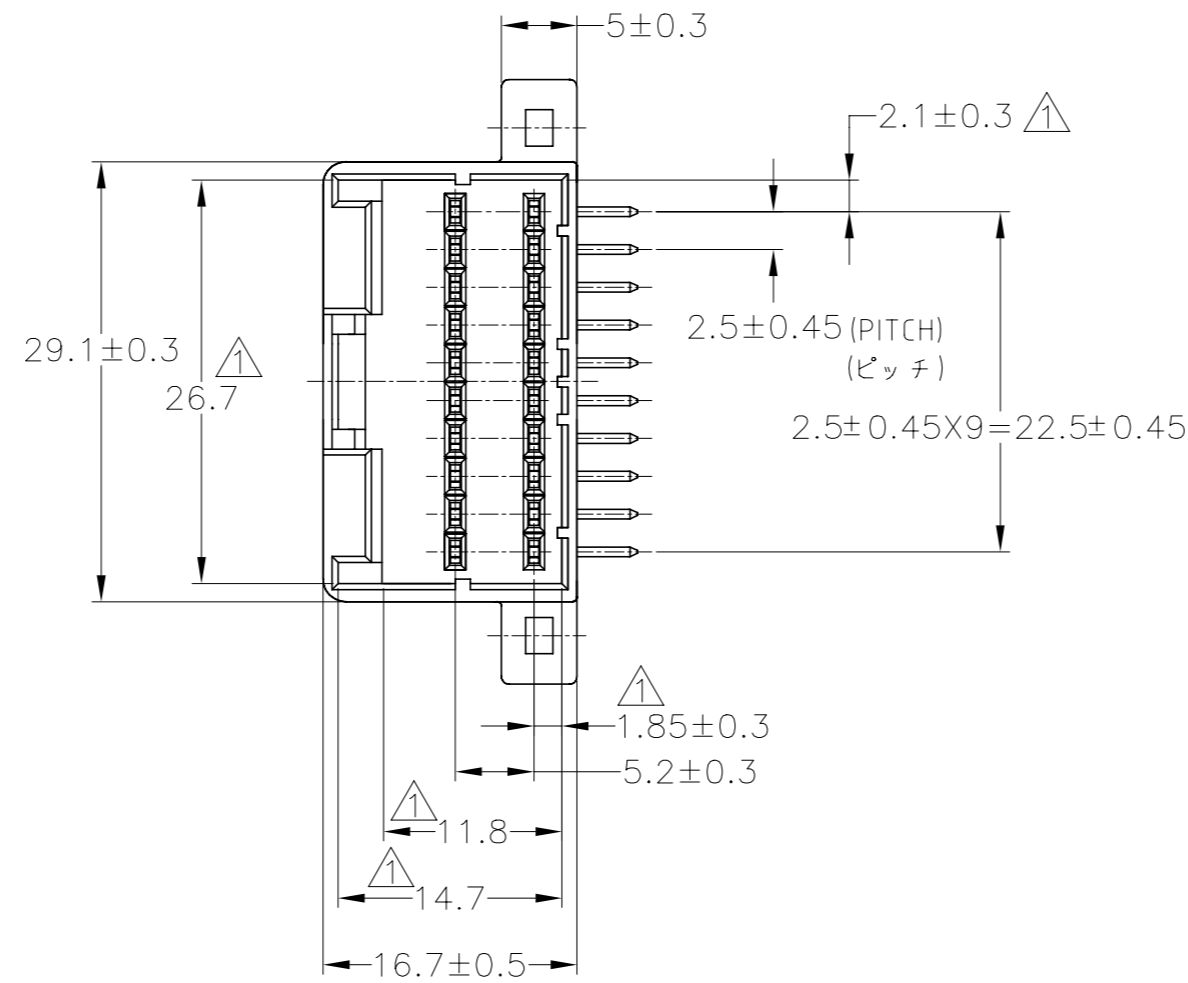
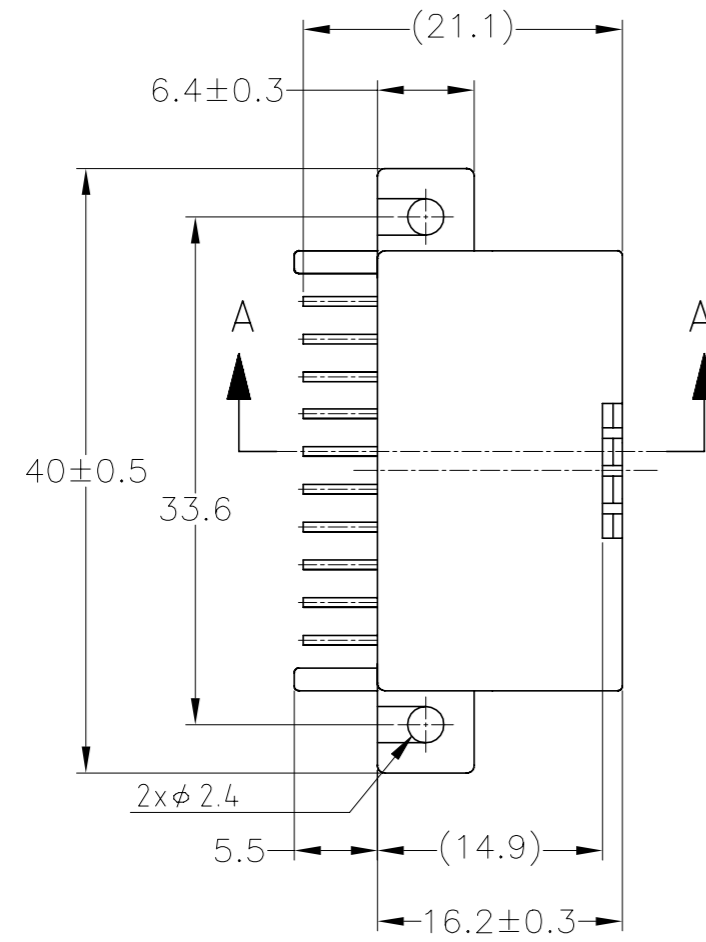
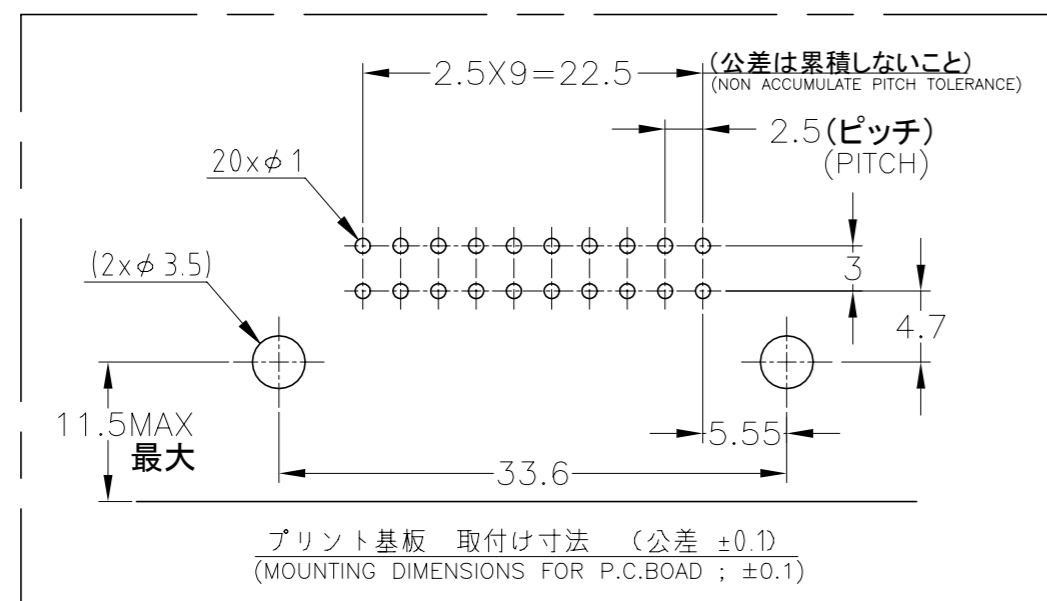


REVISIONS				
P	LTR	DESCRIPTION	DATE	DWN APVD
	G7	OBSOLETE 174055-7 ECR-20-007046	18NOV2020	PSJ TM



A-A

- △ Z 面より2mmの範囲で測定
- 2. 適用プリント基板厚 : 1.6mm
- 3. かん合相手ハウジング型番 : 174047
- 4. 推奨取付けネジ : JIS B1115, B1122 タッピンねじ、なべ2種
呼び径3、長さ7mm以上(締付トルク : 0.39N-m以下)
- △ TO BE MEASURED WITHIN 2mm FROM Z
- 2. APPLICABLE P.C. BOARD THICKNESS: 1.6mm
- 3. THE MATING PLUG HOUSING PART NUMBER: 174047
- 4. RECOMMENDED MOUNTING SCREW: 3mm DIA, 7mm LENGTH (MIN.) PAN HEAD, CLASS 2 TAPPING SCREW SPECIFIED IN JIS B1115, B1122 (TIGHTENING TORQUE: 0.39N-m MAX.)



	SELECTIVE-TIN (MATTE)	SELECTIVE GOLD	BLACK	1-5174055-2
	TIN-LEAD	SELECTIVE GOLD	BLUE	1-174055-5
OBSOLETE	TIN-LEAD	SELECTIVE GOLD	BLACK	1-174055-2
OBSOLETE	PRE-TIN	PRE-TIN	YELLOW	174055-7
	PRE-TIN	PRE-TIN	BLUE	174055-5
	PRE-TIN	PRE-TIN	GREEN	174055-4
	SELECTIVE-TIN (MATTE)	SELECTIVE-TIN (BRIGHT)	BLACK	174055-3
	PRE-TIN	PRE-TIN	BLACK	174055-2
OBSOLETE	SELECTIVE=TIN	PRE=TIN	BLACK	174055=1
	SOLDERING SIDE	CONTACT SIDE		
	半田付け部	接触部側	COLOR	PART NUMBER
	CONTACT FINISH		色	製品型番
	コンタクト仕上			

THIS DRAWING IS A CONTROLLED DOCUMENT.

DWN	T.SHINOHARA	15FEB05
CHK	K.BETSUI	15FEB05
APVD	K.BETSUI	15FEB05

TE Connectivity

040 SERIES MULTI-LOCK I/O CONN.
20POSITION CAP ASSY
(HORIZONTAL TYPE)

WEIGHT	6.1 g	SIZE	A2	CAGE CODE	00779	DRAWING NO	174055	RESTRICTED TO	
MATERIAL		FINISH		SCALE		SHEET		REV	
HOUSING; PBT		仕上		2:1		1 of 1		G7	
CONTACT; BRASS		SEE TABLE		CUSTOMER DRAWING					

一般公差 (GENERAL TOLERANCE)
10以下: ±0.2
30以下: ±0.25
30を越え: ±0.3
100以下: ±0.3
100を越え: ±0.3
角度: ±3°