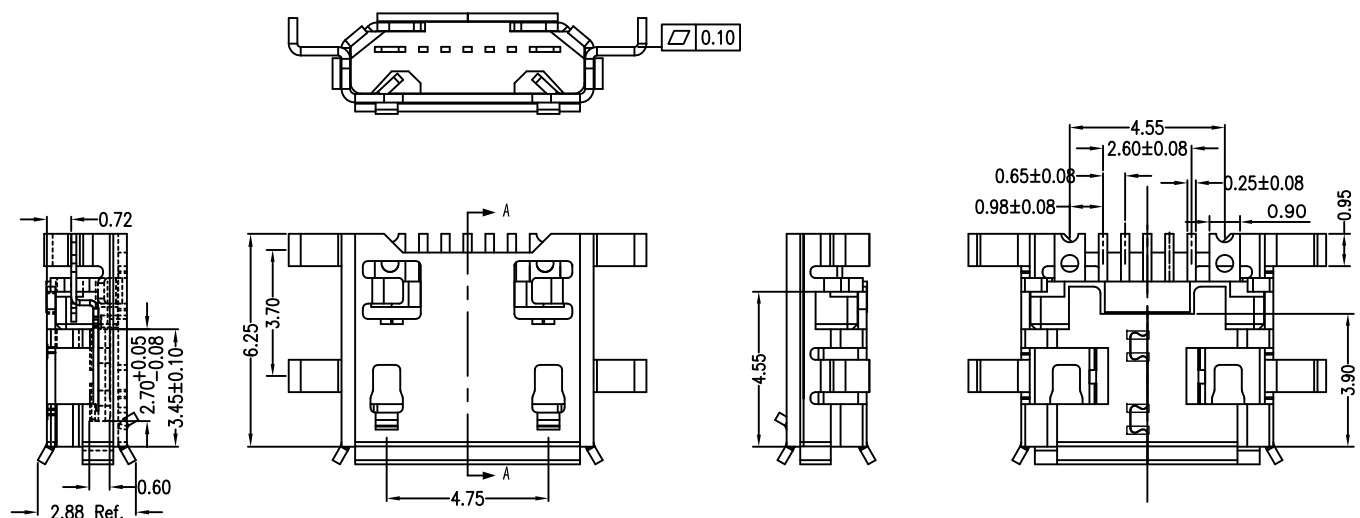
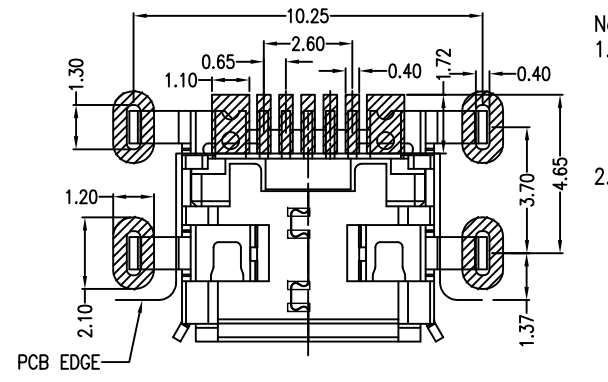
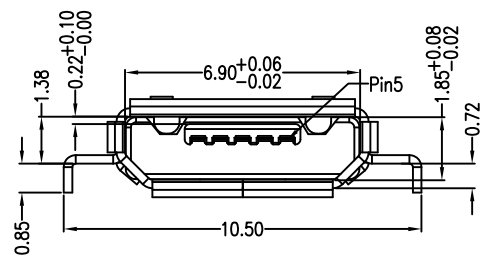


MAPX	MODIFICATION	DATE
------	--------------	------



SEC A-A



RECOMMENDED PCB LAYOUT
PCB图仅供参考

- Note:
- Material:
 - Housing: High temperature thermoplastic with g.f,UL94v-0
 - Contact: copper alloy,t=0.15mm
 - Shell: copper alloy,t=0.25mm
 - Specification:
 - Current rating:1,5PIN 1.8A Max/2,3,4PIN 1A Max.
 - Dielectric withstanding voltage: 100 V(ac) for 1 min.
 - Contact resistance: 30 mΩ Max.
 - Insulation resistance: 100 MΩ Min.
 - Total mating force: 3.57 Kgf Max.
 - Total unmating force: 1.0 Kgf Min.
 - Temperature range: -30°C~80°C

<p>产品图 PRODUCT CHART DWG</p> <p>公差一览表 TOLERANCE UNLESS OTHERWISE</p> <table border="1"> <tr> <td>X.</td> <td>±0.15</td> <td>X.</td> <td>±5.°</td> </tr> <tr> <td>.X</td> <td>±0.10</td> <td>.X</td> <td>±2.°</td> </tr> <tr> <td>.XX</td> <td>±0.05</td> <td>.XX</td> <td>±1.°</td> </tr> <tr> <td>.XXX</td> <td>±0.03</td> <td>.XXX</td> <td>±0.5°</td> </tr> </table>				X.	±0.15	X.	±5.°	.X	±0.10	.X	±2.°	.XX	±0.05	.XX	±1.°	.XXX	±0.03	.XXX	±0.5°	<p>深圳市精拓金电子有限公司</p>					
X.	±0.15	X.	±5.°																						
.X	±0.10	.X	±2.°																						
.XX	±0.05	.XX	±1.°																						
.XXX	±0.03	.XXX	±0.5°																						
单位 UNITS	MM	制图 DRAWING	许榕强	制图料号 PRODUCT PART NO.	920-F52A2021S10100																				
比例 SCALE	1:1	审核 CHKD	郭治富	产品名称 PRODUCT NO.	MICRO/5P-F 沉板式0.7四脚插板 卷边有接地LCP黑胶																				
日期 DATE	2016-09-09	核准 APPD	黄国荣	角法 VIEW	版本 VER	A0																			