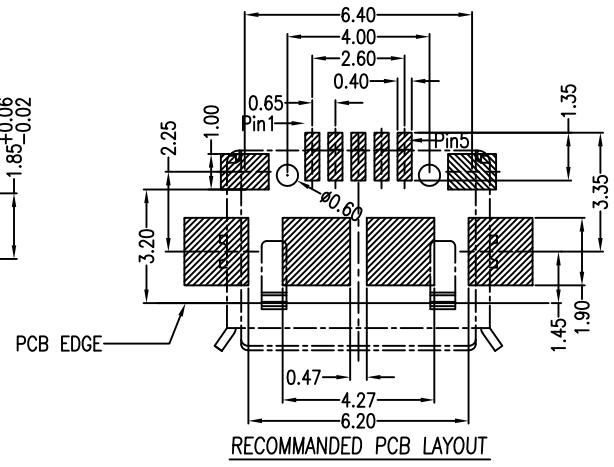
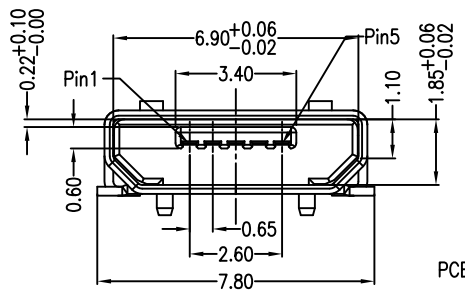
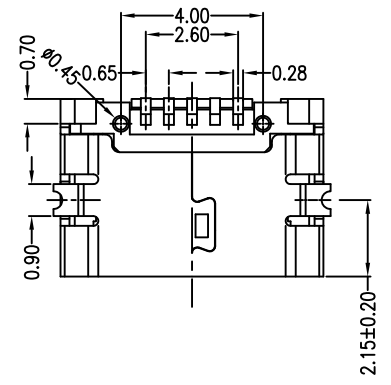
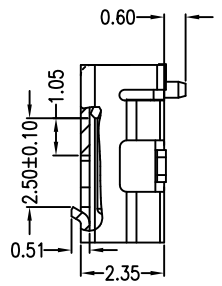
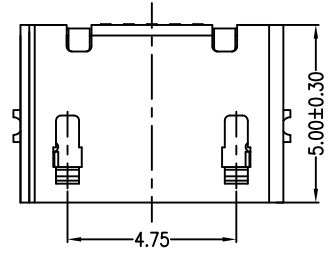
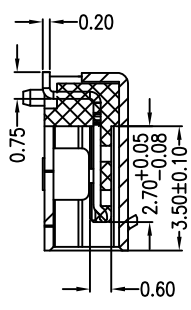
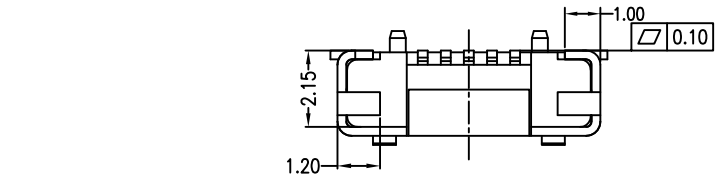


1	2	3	4	5	6	7	8	9	10
						MAPX	MODIFICATION		DATE



- Note:
- Material:
 - Housing: High temperature thermoplastic with g.f,UL94v-0
 - Contact: copper alloy,t=0.20mm
 - Shell: copper or sus304,t=0.25mm
 - Specification:
 - Current rating:1.5PIN 1.8A Max/2,3,4PIN 1A Max.
 - Dielectric withstanding voltage: 100 V(ac) for 1 min.
 - Contact resistance: 30 mΩ Max.
 - Insulation resistance: 100 MΩ Min.
 - Total mating force: 3.57 Kgf Max.
 - Total unmating force: 1.0 Kgf Min
 - Temperature range: -30°C~80°C

产品图

PRODUCT CHART DWG

公差一览表

TOLERANCE UNLESS OTHERWISE			
X.	±0.25	X.	±5°
.X	±0.20	.X	±2°
.XX	±0.15	.XX	±1°
.XXX	±0.10	.XXX	±0.5°

深圳市精拓金电子有限公司

单位	MM	制图	GAVIN	制图料号	920-D62A2021S10100
UNITS		DRAWING		PRODUCT PART NO.	
比例	1:1	审核		产品名称	MICRO 5S B型两脚贴板无边
SCALE		CHKD		PRODUCT NO.	有柱加焊脚短端SMT
日期	2012.06.10	核准		角法	VIEW
DATE		APPD		版本	VER
					AD

