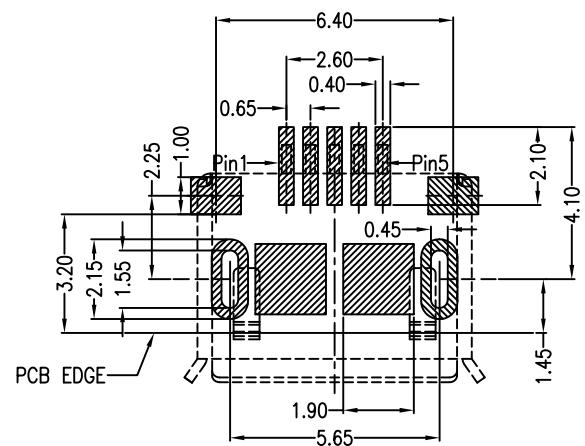
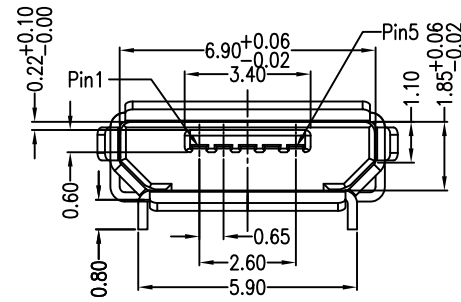
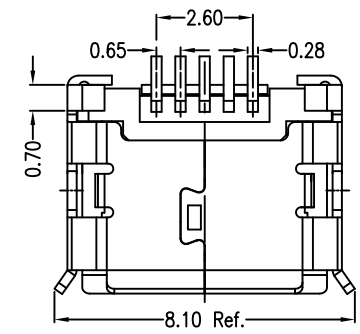
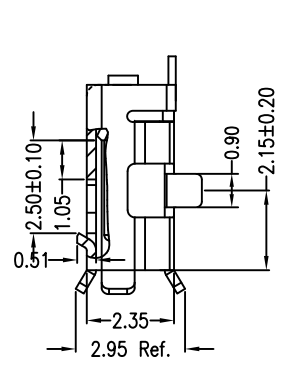
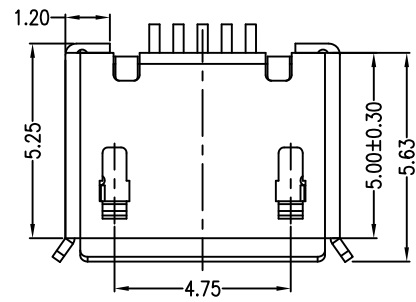
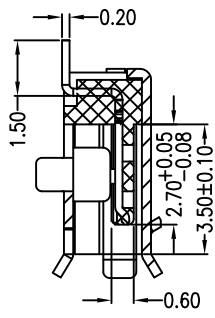
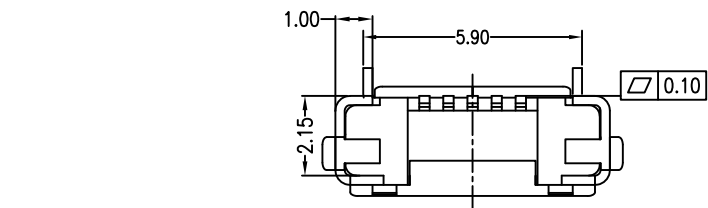


MAPX	MODIFICATION	DATE

A
B
C
D
E
F
G

A
B
C
D
E
F
G



RECOMMENDED PCB LAYOUT PCB图仅供参考

- Note:
- Material:
 - Housing: High temperature thermoplastic with g.f,UL94v-0
 - Contact: copper alloy,t=0.20mm
 - Shell: copper alloy,t=0.25mm
 - Specification:
 - Current rating:1,5PIN 1.8A Max/2,3,4PIN 1A Max.
 - Dielectric withstanding voltage: 100 V(ac) for 1 min.
 - Contact resistance: 30 mΩ Max.
 - Insulation resistance: 100 MΩ Min.
 - Total mating force: 3.57 Kgf Max.
 - Total unmating force: 1.0 Kgf Min.
 - Temperature range: -30°C~80°C

产品图 PRODUCT CHART DWG		深圳市精拓金电子有限公司							
公差一览表 TOLERANCE UNLESS OTHERWISE		单位 UNITS	MM	制图 DRAWING	YANG	制图料号 PRODUCT PART NO.	920-C52A2021S10106		
X.	±0.30 X.	°	±5.	比例 SCALE	1:1	审核 CHKD	郭志富	产品名称 PRODUCT NO.	MICRO 5S B型5.9两脚长0.8插板有边无柱SMT加长0.75加焊脚
.X	±0.25 .X	°	±2.	日期 DATE	2019.11.23	核准 APPD	黄国荣	角法 VIEW	版本 VER
.XX	±0.15 .XX	°	±1.						AO
.XXX	±0.10 .XXX	°	±0.5						