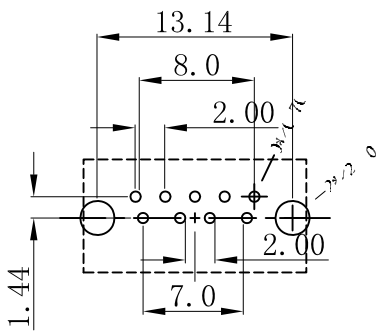
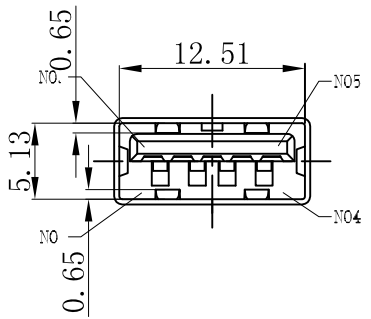
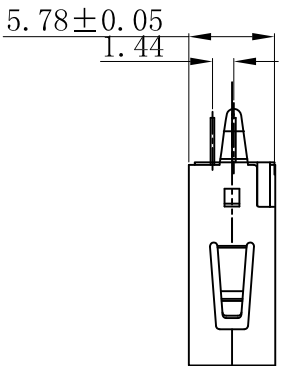
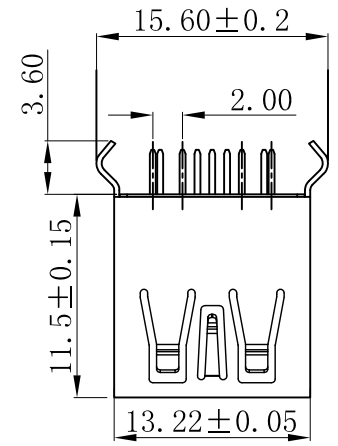
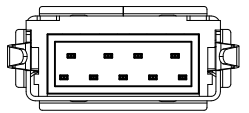
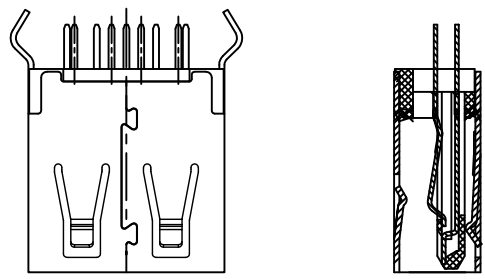


MAPX	MODIFICATION	DATE



RECOMMENDED P.C.B LAYOUT(±0.05)



- NOTES:
- ELECTRONIC:
CONTACT RESISTANCE: 30mohm MAX
INSULATION RESISTANCE: 1000 Mohm MIN
WITHSTAND VOLTAGE:AC 500V,1min.
 - MECHANICAL:
DURABILITY: 1500 CYCLE.
 - ENVIRONMENT CHARACTERISTICS:
OPERATING TEMPERATURE:-55? TO +105?
 - RECOMMANDER PCB THICKNESS 1.2 TO 1.60MM

No.	PART NAME	QTY	MATERIAL	REMARK
5	SHELL	1	COPPER ALLOY	NI PLATED
4	5PIN	5	COPPER ALLOY	AU/TIN PLATED
3	4PIN	4	COPPER ALLOY	AU/TIN PLATED
2	COVER	1	THERMOPLASTIC	(UL 94V-0) BLUE
1	HOUSING	1	THERMOPLASTIC	(UL 94V-0) BLUE

<p>产品图 PRODUCT CHART DWG</p> <p>公差一览表 TOLERANCE UNLESS OTHERWISE</p> <table border="1"> <tr> <td>X.</td> <td>±0.15</td> <td>X.</td> <td>±5.°</td> </tr> <tr> <td>.X</td> <td>±0.10</td> <td>.X</td> <td>±2.°</td> </tr> <tr> <td>.XX</td> <td>±0.01</td> <td>.XX</td> <td>±1.°</td> </tr> <tr> <td>.XXX</td> <td>±0.002</td> <td>.XXX</td> <td>±0.5°</td> </tr> </table>		X.	±0.15	X.	±5.°	.X	±0.10	.X	±2.°	.XX	±0.01	.XX	±1.°	.XXX	±0.002	.XXX	±0.5°	<h1>深圳市精拓金电子有限公司</h1>			
X.	±0.15	X.	±5.°																		
.X	±0.10	.X	±2.°																		
.XX	±0.01	.XX	±1.°																		
.XXX	±0.002	.XXX	±0.5°																		
单位 UNITS	MM	制图 DRAWING	邱建辉	制图料号 PRODUCT PART NO	916-162A205EY10200																
比例 SCALE	1:1	审核 CHKD	郭治富	产品名称 PRODUCT NAME	USB AF 3.0/180度11.5弯脚无边 铜壳LCP蓝胶24H																
日期 DATE	20160728	核准 APPD	黄国荣	角法 VIEW	版本 VER																
					AD																

由 Autodesk 教育版产品制作

由 Autodesk 教育版产品制作