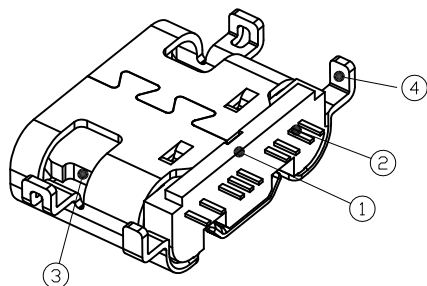
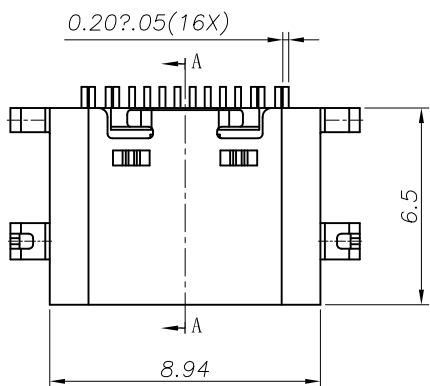


RoHS

MAPX

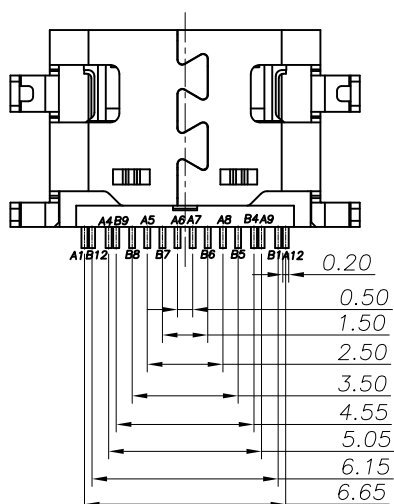
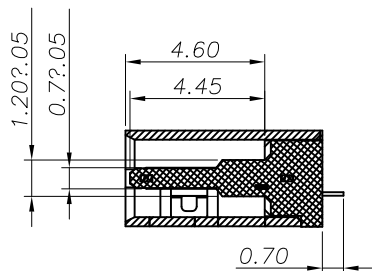
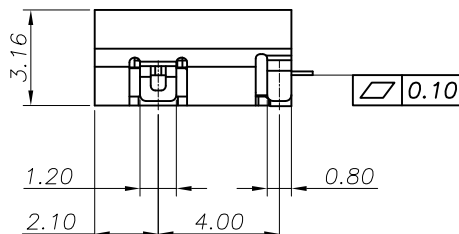
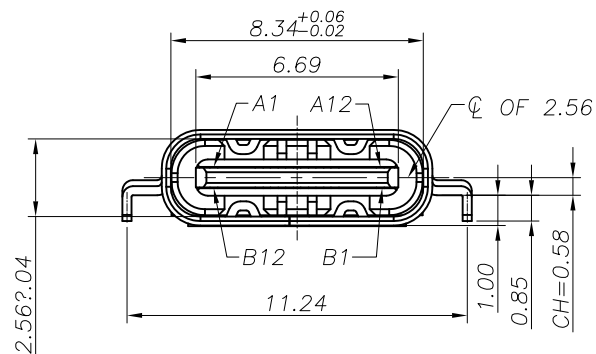
MODIFICATION

DATE



NOTE:

- 1.MATERIAL SPECIFICATION:
  - 1.HOUSING:HIGH TEMPERATURE RESISTANT PLASTIC,UL94 V-0.
  - 2.CONTACTS:COPPER ALLOY
  - 3.MID PLATE: STAINLESS STEEL
  - 4.FRONT SHELL: STAINLESS STEEL
- 2.PLATING SPECIFICATION:
  - 2-1.CONTACTS:
    - Ni 50u" MIN. UNDER PLATED OVER ALL.
    - Au PLATED ON THE FUNCTIONAL AREA OF CONTACT.
    - (GOLD PLATING THICKNESS FOLLOW THE P/N)
    - PLATING SPECIFICATIONS OF THE SOLDER AREA FOLLOW THE P/N
  - 2-2.FRONT SHELL:
    - Ni 30u" MIN. UNDER PLATED OVER ALL.
  - 2-3.MID PLATE:
    - CLEAR ONLY
- 3.MECHANICAL PERFORMANCE,
  - 3-1.INSERTION FORCE: 0.5~2.0kgf.
  - 3-2.REMOVAL FORCE: 0.8kgf~2.0kgf.
  - 3-3.DURABILITY: 10000 CYCLES.
- 4.ELECTRICAL PERFORMANCE,
  - 4-1. CURRENT RATING:5.0A  
VOLTAGE RATING:5.0V
  - 4-2. LLCR:
    - VBUS & GND PINS AND OTHER PINS: 40mΩ/PIN MAX.
    - SHIELD: 50mΩ/MAX.
    - LLCR MAX. CHANGE OF ALL PINS: 10mΩ.
  - 4-3.INSULATION RESISTANCE: 100MΩ MIN
  - 4-4.DIELECTRIC WITHSTAND VOLTAGE,AC 100V FOR 1 MINUTE.
5. ENVIRONMENTAL PERFORMANCE:
  - OPERATING TEMPERATURE: -25℃~+85℃.
- 6.IR REFLOW:
  - THE PEAK TEMPERATURE ON THE BOARD SHALL BE MAINTAINED FOR 10 SECONDS AT 260°C.



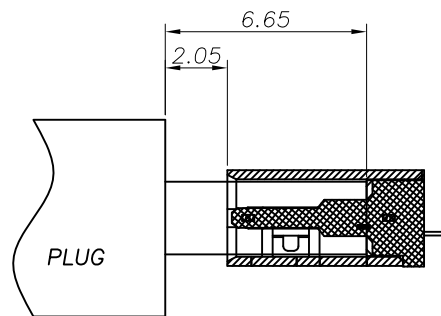
<b>产品图</b> PRODUCT CHART DWG		<b>深圳市精拓金电子有限公司</b>							
公差一览表 TOLERANCE UNLESS OTHERWISE		单位	MM	制图	Gavin	制图料号	918-418K2023S40003		
X.	±0.35	X.	±5°	UNITS		PRODUCT PART NO.			
.X	±0.20	.X	±2°	比例	1:1	产品名称	TYPE-C3.1 16PF SMT沉板1.0母座单排		
.XX	±0.10	.XX	±1°	SCALE		PRODUCT NO.	短体6.5L		
.XXX	±0.05	.XXX	±0.5°	日期	2016-09-09	核准	角法	版本	AD
				DATE		APPD	VIEW	VER	

RoHS

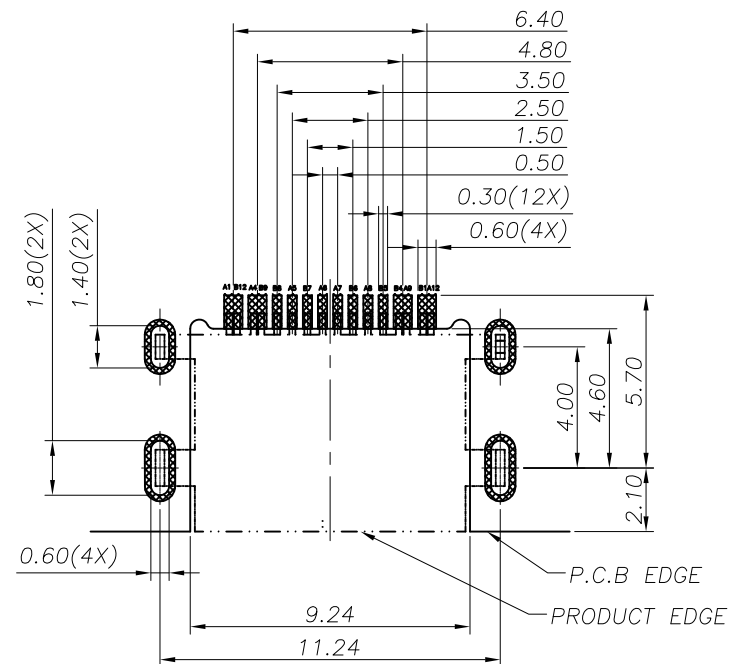
MAPX

MODIFICATION

DATE



AFTER MATING



RECOMMENDED PCB LAYOUT(TOP VIEW)  
THICKNESS 0.80MM;DEFAULT TOLERANCE:?.05

USB TYPE-C PIN ASSIGNMENTS

PIN NUMBER	SIGNAL NAME	PIN NUMBER	SIGNAL NAME
A1	GND	B12	GND
A4	VBUS	B9	VBUS
A5	CC1	B8	SBU2
A6	Dp1	B7	Dn2
A7	Dn1	B6	Dp2
A8	SBU1	B5	CC2
A9	VBUS	B4	VBUS
A12	GND	B1	GND

产品图  
PRODUCT CHART DWG

深圳市精拓金电子有限公司

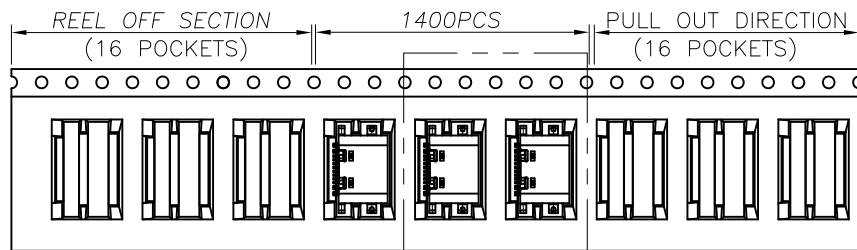
公差一览表 TOLERANCE UNLESS OTHERWISE				单位 UNITS	制图 DRAWING	制图料号 PRODUCT PART NO.	918-418K2023S40003		
X.	±0.35	X.	±5.°	MM	Gavin	产品名称 PRODUCT NAME	TYPE-C3.1 16PF SMT沉板1.0母座单排		
.X	±0.20	.X	±2.°	比例 SCALE	审核 CHKD	短体6.5L			
.XX	±0.10	.XX	±1.°	日期 DATE	核准 APPD	角法 VIEW	版本 VER	AD	
.XXX	±0.05	.XXX	±0.5°	2016-09-09	黄国荣	⊕			

RoHS

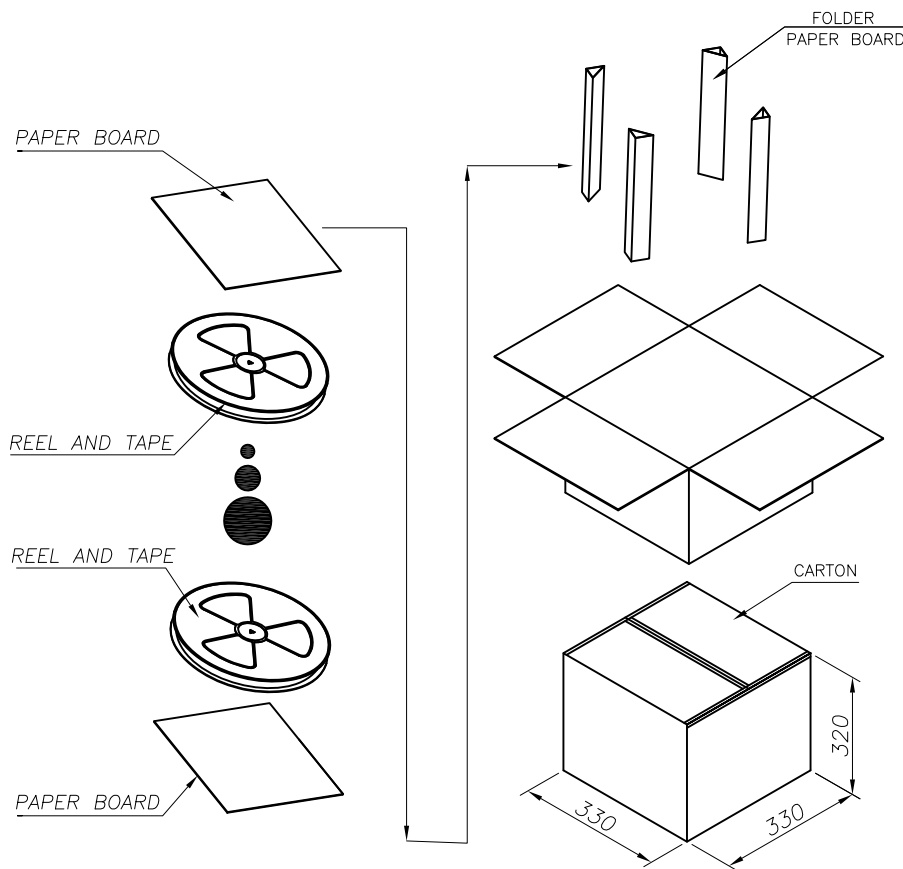
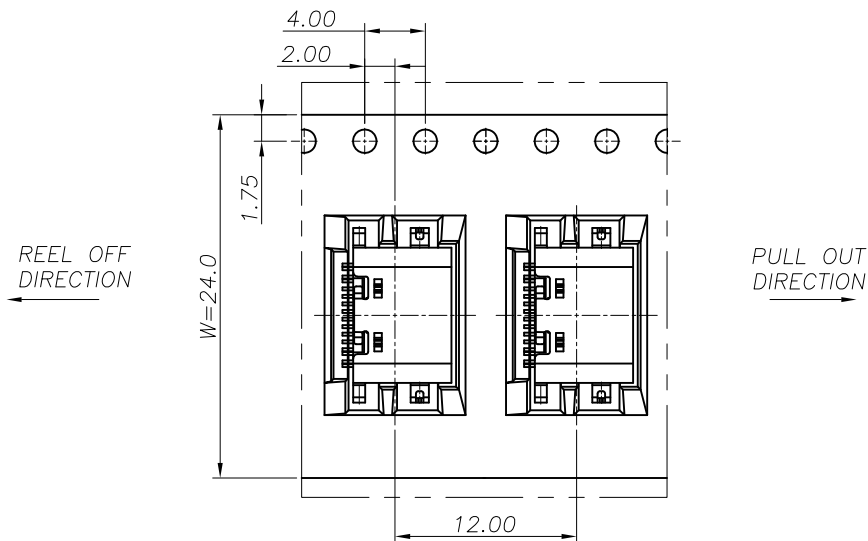
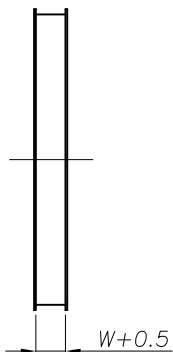
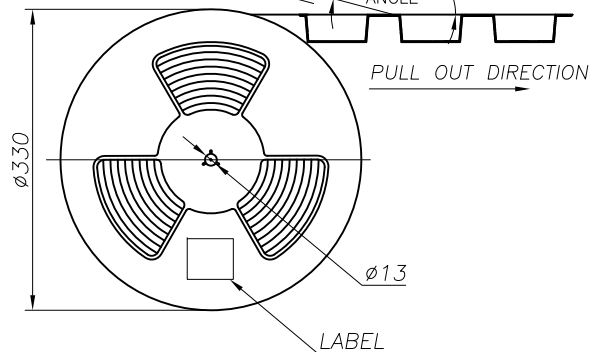
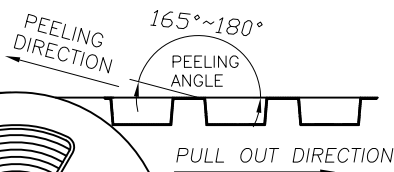
MAPX

MODIFICATION

DATE



SEE DETAIL X



<p>产品图 PRODUCT CHART DWG</p> <p>公差一览表 TOLERANCE UNLESS OTHERWISE</p>				<p>深圳市精拓金电子有限公司</p>						
X.	±0.35	X.	±5.°	单位 UNITS	MM	制图 DRAWING	Gavin	制图料号 PRODUCT PART NO.	918-418K2023S40003	
.X	±0.20	.X	±2.°	比例 SCALE	1:1	审核 CHKD	郭治富	产品名称 PRODUCT NAME	TYPE-C3.1 16PF SMT沉板1.0母座单排 短体6.5L	
.XX	±0.10	.XX	±1.°	日期 DATE	2016-09-09	核准 APPD	黄国荣	角法 VIEW	版本 VER	AD
.XXX	±0.05	.XXX	±0.5°							